

Customer

Date

Phone

E-mail

Address

Dimensions :

- | | | | | | |
|------------------------|---------------------------------|---------------------------------|------------------------------------|---------------------------------|---------------------------------|
| I : Seat width | <input type="checkbox"/> Small | <input type="checkbox"/> Medium | <input type="checkbox"/> Medium+ | <input type="checkbox"/> Large | <input type="checkbox"/> XLarge |
| D : Seat height | <input type="checkbox"/> Low | <input type="checkbox"/> High | <input type="checkbox"/> Ultrahigh | <input type="checkbox"/> Custom | |
| A : Wheel size | <input type="checkbox"/> 559 | <input type="checkbox"/> 590 | <input type="checkbox"/> 622 | | |
| B : Castor size | <input type="checkbox"/> 102 mm | <input type="checkbox"/> 127 mm | | | |
| E : Seat depth | cm | | | | |
| F : Back height | cm | | | | |

Color Options :

- RAL #:** Frame Pushring

Component color :

- | | | | | |
|----------------|-------------------------------|---------------------------------|--------------------------------------|-------------------------------------|
| Black : | <input type="checkbox"/> Fork | <input type="checkbox"/> Brakes | <input type="checkbox"/> Wheel clamp | <input type="checkbox"/> Foot clamp |
| Blue: | <input type="checkbox"/> Fork | <input type="checkbox"/> Brakes | <input type="checkbox"/> Wheel clamp | <input type="checkbox"/> Foot clamp |
| Red : | <input type="checkbox"/> Fork | <input type="checkbox"/> Brakes | <input type="checkbox"/> Wheel clamp | <input type="checkbox"/> Foot clamp |

Trim color :

- Black White Blue

Accessories :

- | | |
|------------------------|--------------------------|
| Push Handle | <input type="checkbox"/> |
| Anti Tip | <input type="checkbox"/> |
| QR Carbon Bucket | <input type="checkbox"/> |
| Push Ring Grip | <input type="checkbox"/> |
| Carbon fiber footplate | |



TiArrow USA
270 Cobb Parkway South
Suite 140, #485
Marietta, GA 30060
E-mail: ryan@tiarrowusa.com
Phone: 404-574-1995

Tire Selection :

559

590

622

- Schwalbe One
- Schwalbe Rightrun svart
- Vittorai Zaffiro

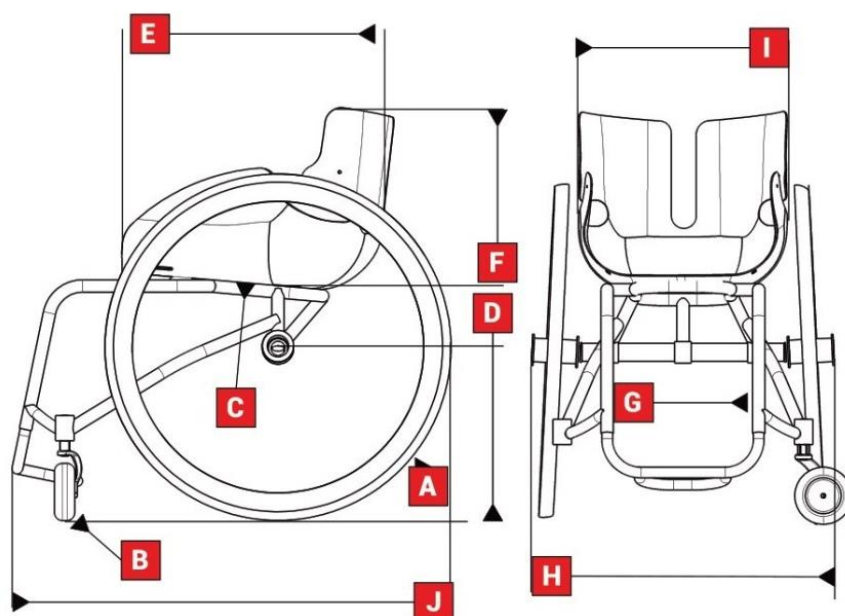
- Schwalbe Rightrun Gray
- Schwalbe Rightrun Gray
- Vittoria Rubino control

- Vittoria Rubino endurance

Comments :

Dimension codes Z-LINE

- A :** Wheel size
- B :** Caster size
- C :** Seat angle
- D :** Seat height
- E :** Seat depth
- F :** Back height
- G :** Knee width
- H :** Total chair width
- I :** Seat width
- J :** Overall length



Measurement Guide

Product code	Article #	D	G	H	I	J
Z-Line SL5	7350000250770	415	220	550	345	780
Z-Line SL6	7350000251012	430	220	560	345	795
Z-Line SH5	7350000251029	430	220	550	345	780
Z-Line SH6	7350000251036	445	220	560	345	795
Z-Line SU6	7350000251210	460	220	560	345	795
Z-Line SU8	7350000251227	475	220	560	345	810
Z-Line ML5	7350000251005	415	240	590	365	780
Z-Line ML6	7350000251043	430	240	590	365	795
Z-Line MH5	7350000251050	430	240	590	365	780
Z-Line MH6	7350000251067	445	240	590	365	795
Z-Line MU6	7350000251234	460	240	590	365	795
Z-Line MU8	7350000251241	475	240	590	365	810
Z-Line M+L5	7350000251258	415	240	605	385	780
Z-Line M+L6	7350000251265	430	240	605	385	795
Z-Line M+H5	7350000251272	430	240	605	385	780
Z-Line M+H6	7350000251289	445	240	605	385	795
Z-Line M+U6	7350000251296	460	240	605	385	795
Z-Line M+U8	7350000251302	475	240	605	385	810
Z-Line LL5	7350000251074	415	260	625	400	780
Z-Line LL6	7350000251081	430	260	625	400	795
Z-Line LH5	7350000251098	430	260	625	400	780
Z-Line LH6	7350000251104	445	260	625	400	795

TiArrow USA
 270 Cobb Parkway South
 Suite 140, #485
 Marietta, GA 30060
 E-mail: ryan@tiarrowusa.com
 Phone: 404-574-1995



Z-Line Order Form

Z-Line LU6	7350000251319	460	260	625	400	795
Z-Line LU8	7350000251197	475	260	625	400	810
Z-Line XLL5	7350000251333	415	280	655	430	780
Z-Line XLL6	7350000251340	430	280	655	430	795
Z-Line XLH5	7350000251357	430	280	655	430	780
Z-Line XLH6	7350000251364	445	280	655	430	795
Z-Line XLU6	7350000251371	460	280	655	430	795
Z-Line XLU8	7350000251388	475	280	655	430	810

TiArrow USA
270 Cobb Parkway South
Suite 140, #485
Marietta, GA 30060
E-mail: ryan@tiarrowusa.com
Phone: 404-574-1995

