

NOTE:  
 -3 SECTION CLARIFIER W/ BOLT ON INFLUENT TANK  
 - 2 PART EPOXY EXTERNAL COATING WITH COAL TAR INTERNAL COATING  
 - LIFTING LUGS LOCATED IN TWO PLACES ON TOP SECTION  
 - 18" X 24" MANWAY OPENING  
 - BOLT ON LEGS AND SUPPORT BRACES

MET-CHEM		
TITLE: BUILT TO MATCH CLARIFIER		
SIZE D	DWG. NO. 10/04/2023	REV 01
NTS		SHEET 1 OF 2

ALL DIMENSIONS ± 1"

8

7

6

5

4

3

2

1

D

D

C

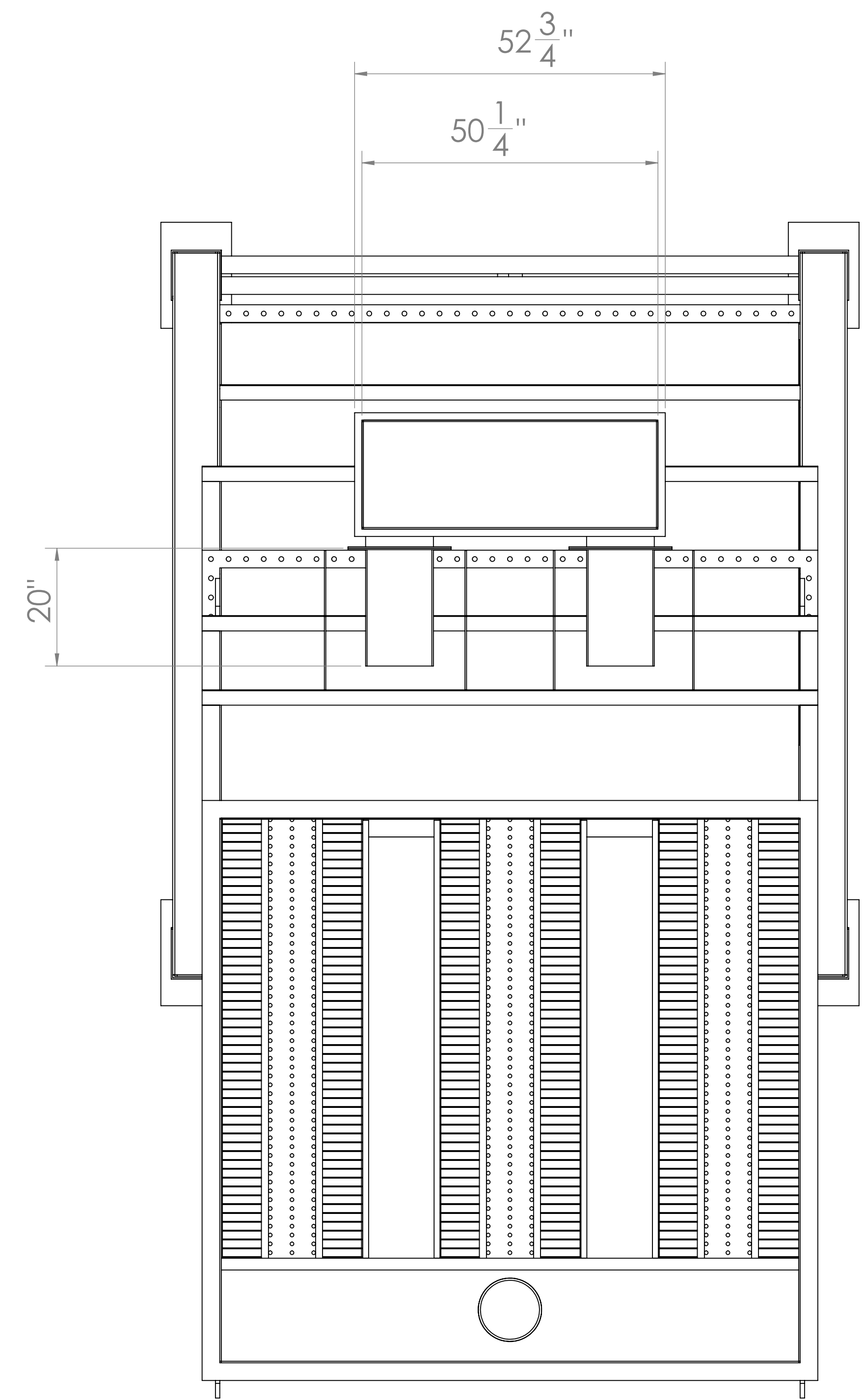
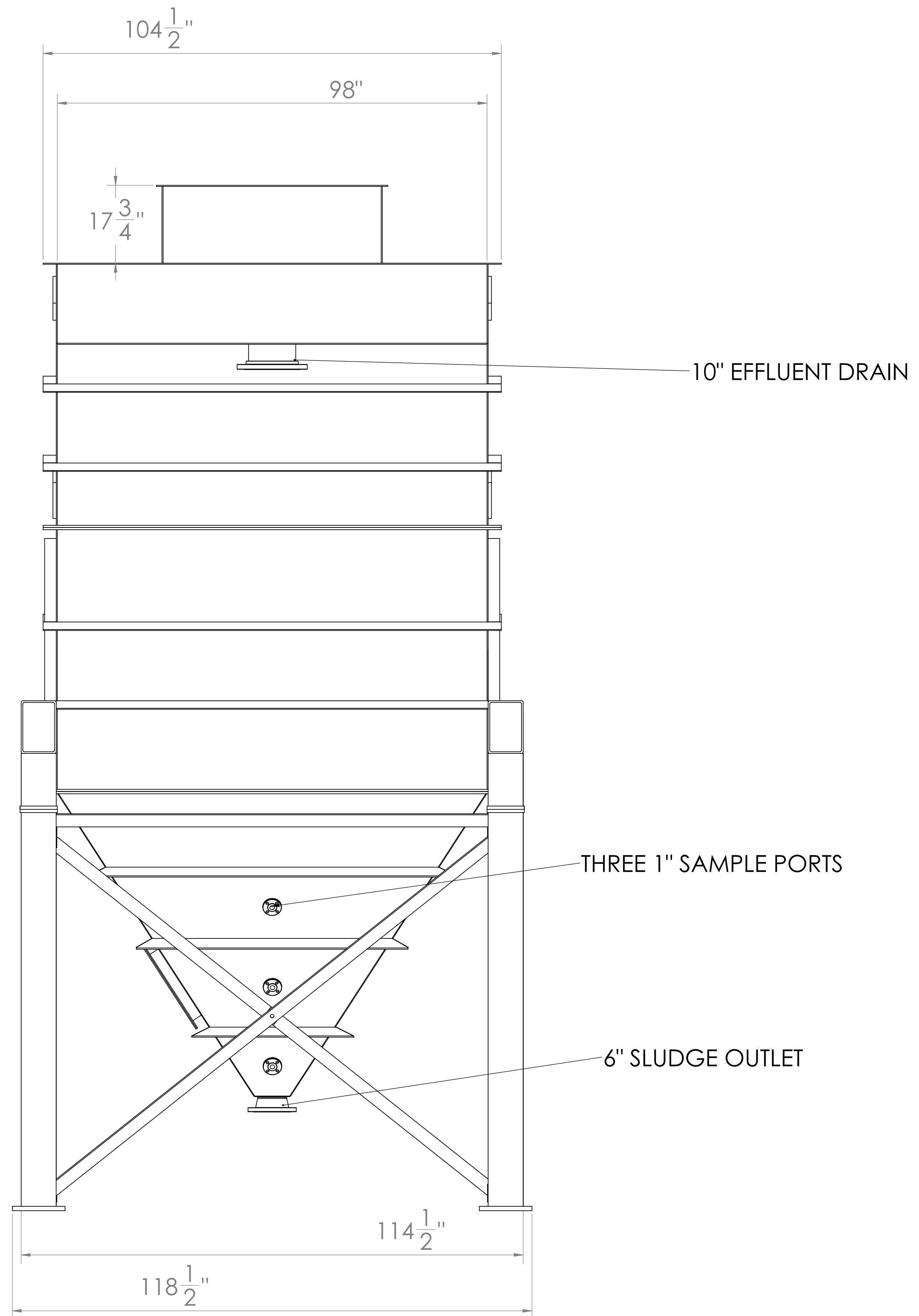
C

B

B

A

A



MET-CHEM		
TITLE: BUILT TO MATCH CLARIFIER		
SIZE <b>D</b>	DWG. NO. NTS	REV <b>01</b>
	10/04/2023	SHEET 2 OF 2

8

7

6

5

4

3

2

1