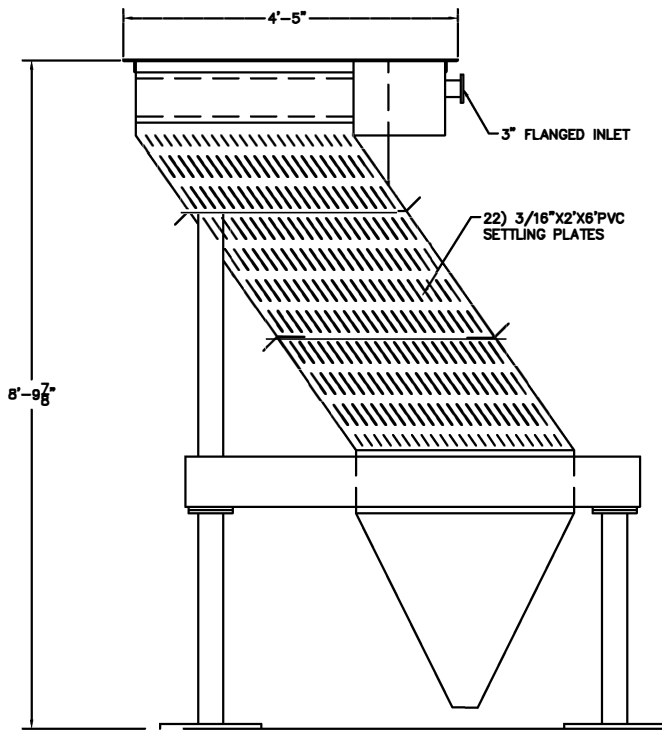
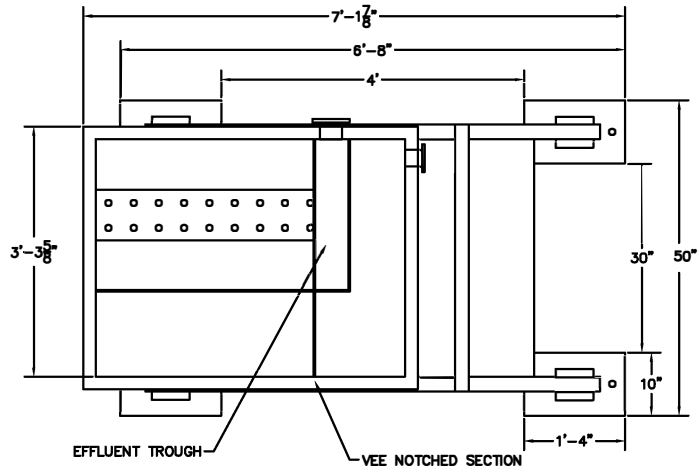


AUTHORIZATION OF FABRICATION

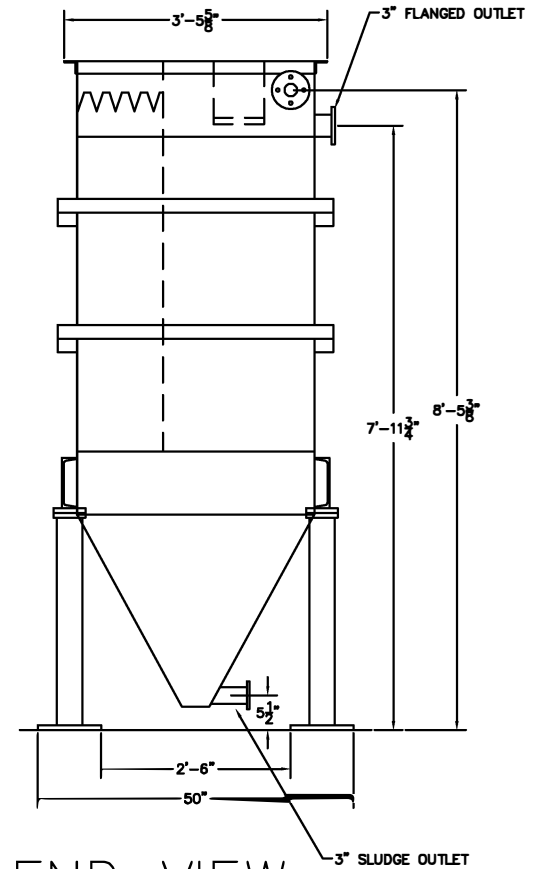
X

SIGNATURE



SIDE VIEW

SCALE: N.T.S.



END VIEW

SCALE: N.T.S.

MET-CHEM

CLEVELAND, OHIO

CLARIFIER