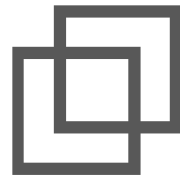


30 LTR WASTEBIN



SYNERGISE

- CONSTRUCTED IN A HIGH GRADE STAINLESS STEEL (304L GRADE S/S / 240G).
- FREE STANDING OR WALL MOUNTABLE.
- AVAILABLE IN FOUR DIFFERENT DESIGNS INCLUDING OPTIONS WITH CHUTE LID, OPEN TOP, SANITARY LID & FLAP LID.
- BAG LINER INCLUDED ON MODELS PL70MBS/71MBS/73MBS.
- PERFECT UNIT FOR ANY WASHROOM ENVIRONMENT.
- DESIGNED & HAND BUILT IN THE UK.

AVAILABLE IN MULTIPLE DESIGNS



 SYNERGISE

CHUTE LID

CODE:
PL70MBS



 SYNERGISE

OPEN TOP

CODE:
PL71MBS



 SYNERGISE

SANITARY LID

CODE:
PL72MBS

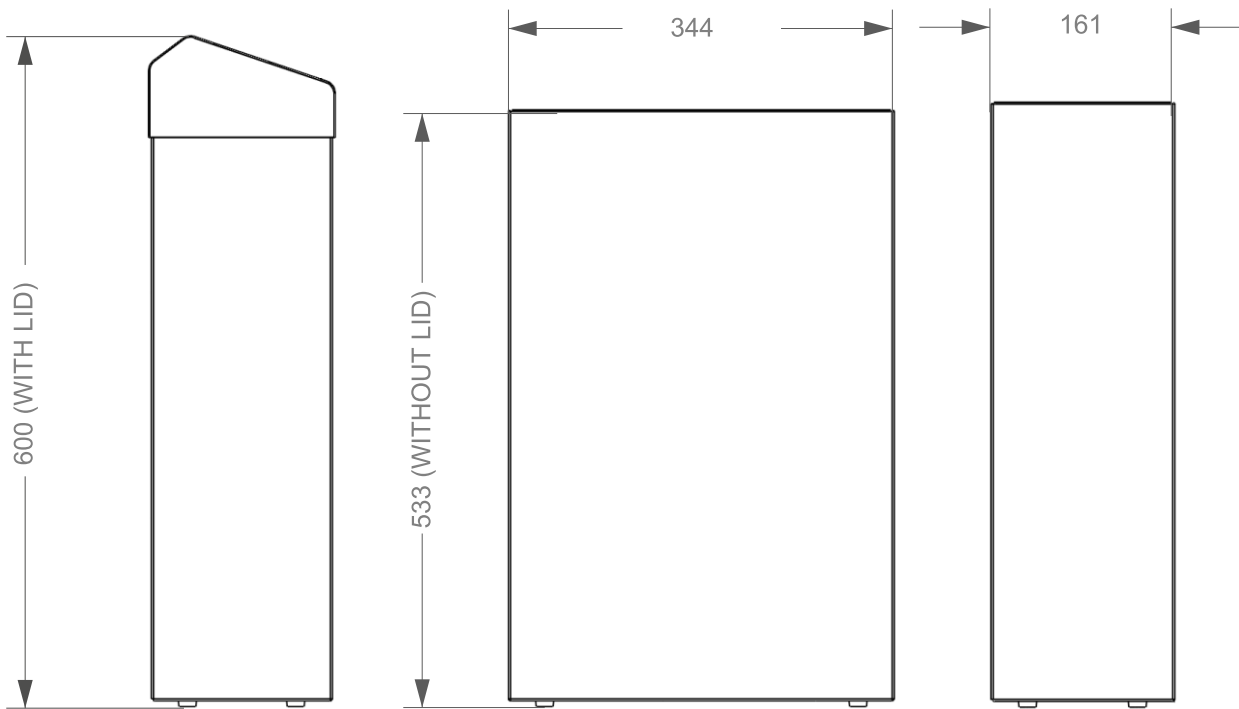


 SYNERGISE

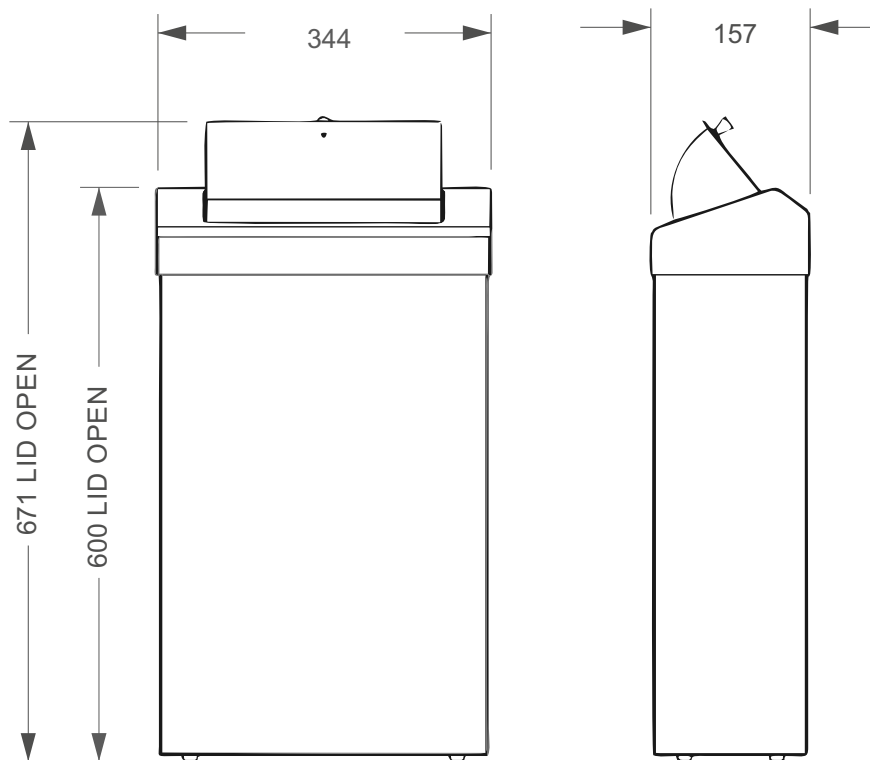
FLAP LID

CODE:
PL73MBS

DIMENSIONS IN MM:- PL70/73MBS (WITH LID), PL71MBS (WITHOUT LID)



DIMENSIONS IN MM:- PL72MBS



THE SYMBOL OF A GENUINE DISPENSER