

SINGLE & TWIN BOTTLE HOLDER



- CONSTRUCTED IN A HIGH GRADE STAINLESS STEEL (304L GRADE S/S / 240G).
- FITTED WITH A QUALITY LOCK WITH KEY OPERATION.
- AVAILABLE IN TWO DIFFERENT SIZES.
- HOLDS VARIOUS 250 - 300ML BOTTLES WITH A CLEVER ADJUSTABLE NECK PIECE.
- PERFECT UNIT FOR A LUXURY WASHROOM ENVIRONMENT.
- PRODUCT BRANDING AVAILABLE FOR ADDED PERSONALISATION.

AVAILABLE IN TWO SIZES



BRUSHED S/S

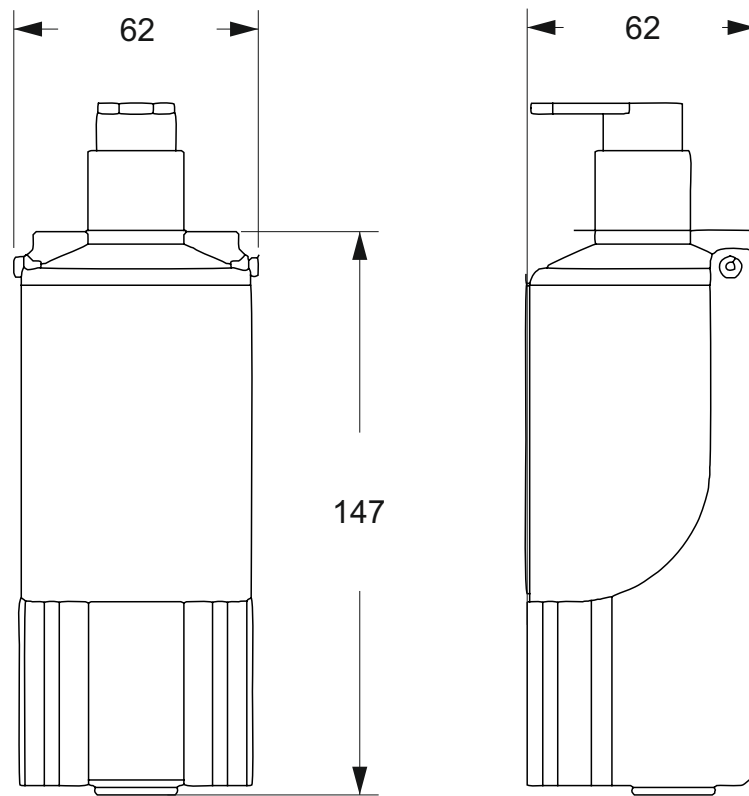
CODE:
PL03MBS



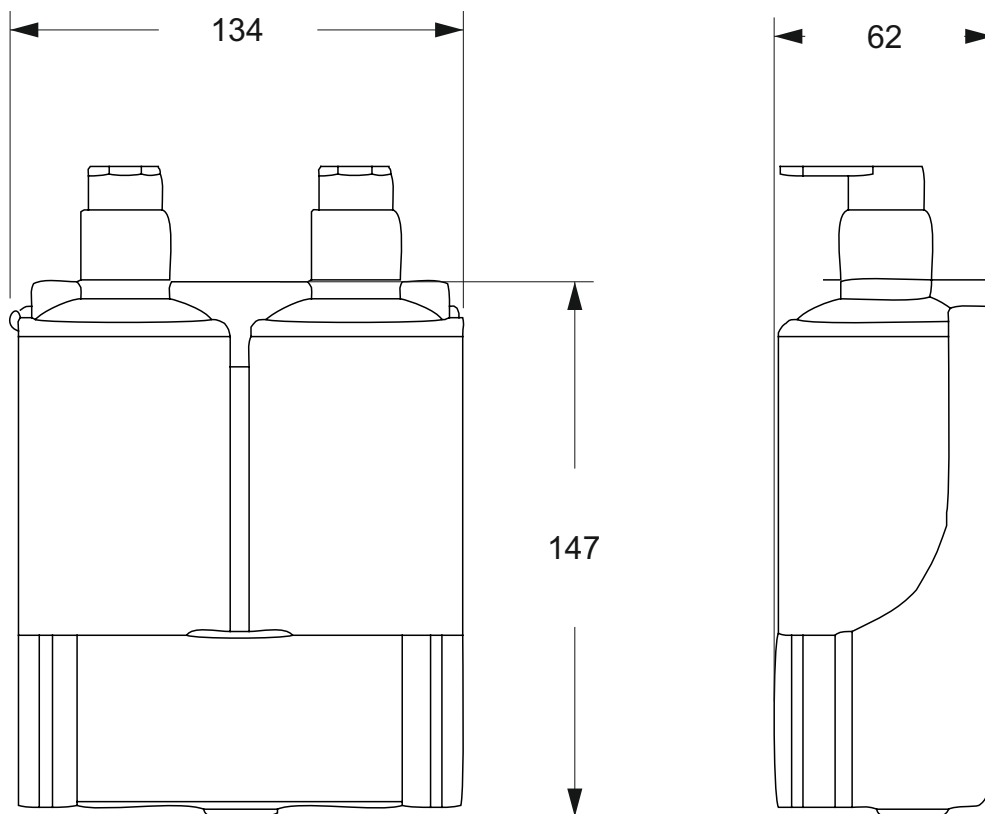
BRUSHED S/S

CODE:
PL04MBS

DIMENSIONS IN MM:-



DIMENSIONS IN MM:-



THE SYMBOL OF A GENUINE DISPENSER