

3430HD Series

H.264 High-Definition, IP67 Fixed Camera System



Advanced Optics

- Superior 1080p image quality
- Powerful 30x optical zoom
- Image defog/dehaze analytics
- Wide dynamic range
- Backlight compensation
- Flexible exposure adjustments
- 3D noise reduction
- Image rotation adjustments

Rugged Construction

- Built-in electrical transient/surge protection to CISPR 24 levels
- IP67 ingress protection
- MIL-STD-810G Salt Fog Compliant
- Wide operating temperature range, -40°C to 65°C continuous, up to 74°C for 24 hours with cool down periods
- Faceplate heater blanket

Flexible Installation and Seamless Interoperability

- ONVIF Profile S compliant
- Power over Ethernet
- H.264 and MJPEG encoding
- Three individually configurable video streams
- Web server configuration, operation and viewing
- Single Cat5e cable installation
- Wall, pole and corner mounting bracket options

CohuHD Costar's series 3430HD fixed camera system combines crystal clear HD image quality, bandwidth efficient H.264 compression and IP67 protection delivering the CohuHD quality and performance you expect!

The 3430HD provides full 1080p imaging with 30x optical zoom, delivering full frame rate HD images over the entire zoom range for cost-effective surveillance applications.

True day/night technology using a removable IR cut filter produces exceptional low-light sensitivity down to 0.00025 fc.

The 3430HD includes advanced imaging processing capabilities such as 3D noise reduction, flexible exposure mode settings, wide dynamic range, white balance along with defog/dehaze image processing, which enhances video performance in foggy and hazy conditions encountered in surveillance and traffic monitoring applications.

The 3430HD delivers up to three video streams with configurable settings, including H.264 or MJPEG codec, image resolution, frame rate, bit rate and mode (CBR or VBR).

The 3430HD provides a full-function web server interface, allowing complete

administrative and operator control capabilities. Administrative features include configuring network settings, user password assignments, setting video streaming properties, configuring camera imaging properties, assigning camera ID labels and much more.

The 3430HD is designed to operate in harsh environments with an IP67 purged and pressurized enclosure protection. This eliminates the effects of water intrusion, pollutants and corrosives.

CohuHD Costar delivers years of clean, reliable images and backs it with a world class three-year warranty.

3430HD Series

H.264 High-Definition, IP67 Fixed Camera System

CAMERA

Sensor	1/2.8" CMOS
Scanning	Progressive
Resolution	1,920 x 1,080
Frame Rate	30 fps
Camera Format	Day/Night (IR Cut Filter)
Day/Night Modes	Auto, Color, B/W
Day/Night Sens.	High, Med., Low, Ultra Low
S/N Ratio	>50 db

SENSITIVITY

Standard	
Color, 1/30, f/1.4	0.4 lux (0.04 fc)
B/W, 1/30, f/1.6	0.04 lux (0.004 fc)
Digital Slow Shutter	
Color, 1/2, f/1.4	0.025 lux (0.0025 fc)
B/W, 1/2, f/1.6	0.0025 lux (0.00025 fc)

OPTICS

Zoom Lens	30x, 4.4 mm to 132 mm
Aperture	f/1.4 ~ f/4.8
HAFOV	62.9° ~ 2.1°
Focus	Auto/Manual (Near, Far)
Focus Scene	Normal, long distance
Iris	Automatic
Digital Zoom	12x, client side region of interest

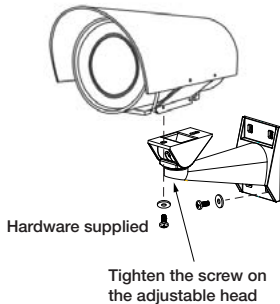
IMAGE PROCESSING

Defog Mode	Off/On (level adjustment)
Dynamic Range	> 90 dB Off/On (level setting)
Back Light Comp	Off/On (level setting)
Shutter (AES)	Auto/Manual (1/6 ~ 1/8,000)
Slow Shutter	Off/On (1/15 ~ 1/6) with limit
WB Modes	Auto, fine tune, sodium
AGC	1 ~ 36 dB, Adjustable
Noise Reduction	2D and 3D with level settings
Image Orientation	Normal, Vertical, Horizontal, 180°, 90° clockwise, 90° anti-clockwise

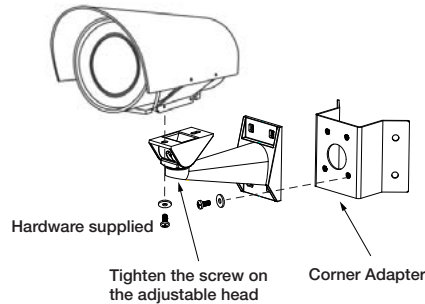
IP STREAM

Video Streams	Three, independently configurable
Video Codec	H.264 HP, MJPEG
Video Protocols	RTSP/RTP/UDP RTSP Multicast
Video Resolution	1080p, 720p, D1, 2CIF, CIF
Video Frame Rate	30, 25, 20, 15, 12, 10, 8, 6, 5, 3, 1
Video Data Rate	128 Kbps to 16 Mbps
Video Rate Control	Variable or Constant Bit Rate
I Frame Interval	5 ~ 250
Video Latency	Four frames (0.133 sec)
Video Transmission	99.999% error free

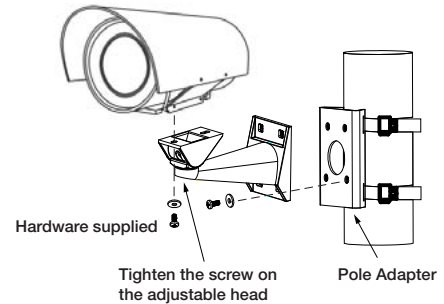
WALL MOUNT INSTALLATION



CORNER MOUNT INSTALLATION



POLE MOUNT INSTALLATION



NETWORK INTERFACE

Network Format	802.3u 100Base-T, MDI-X auto-sensing, full duplex Static or DHCP
IP Addressing	Static or DHCP
Network Protocol	TCP, UDP, IPv4, IGMP, ICMP, DNS, DHCP, RTP, RTSP, RTCP, NTP, HTTP, SOAP, HTTPS, FTP, SMTP, Telnet, ONVIF Profile S
Media Players	VLC, Quick Time or any media player compliant with RFC 2326, 3984, 3550, ISO/IEC 13818-1
ONVIF	Profile S
Camera Protocols	ONVIF Profile S
Security	HTTPS, RTSP Authentication
User Types	Administrator, Common user
Maintenance	File upload over network using camera web server interface, Reboot

ON SCREEN DISPLAY (OSD)

OSD Capacity	Up to 3 OSD Elements can be selected for display on video
OSD Elements	Camera Title, Date/Time, Zoom, Preset ID
OSD Characters	ASCII set, Up to 25 characters per element
OSD Size	Small, Medium or Large
OSD Color	White
Position	Left, Right, or Custom (Each element is positioned using x, y coordinates)

PRIVACY MASKS

Capacity	Up to 8 Rectangular Masks
Color	Black

ELECTRICAL

Input Voltage	PoE Power
Power	15 watts maximum
Transient/Surge	CISPR 24
Pigtail Cable	IP67 RJ45, 12" pigtail

MECHANICAL

Weight	4.5 lbs (2.04 kg)
Dimensions	Refer to diagram below
Construction	Powder coated aluminum
Sunshield	Included as standard
Mounting Holes	Two 1/4-20 UNC, 2.45" apart
Faceplate	Glass

ENVIRONMENTAL

Protection Rating	IP67
Salt Fog	MIL-STD-810G, Method 509.4 Procedure I
Humidity	0 to 100%
Heater	Faceplate heater blanket
Operating Temp	-40°F to 149°F (-40°C to 65°C) continuous, up to 74°C for 24 hours with cool down periods

CERTIFICATIONS

FCC Class A	
CE	
RoHS	

ACCESSORIES

Mounts	
Wall	7412011-001
Pole Adapter	8189-0
Corner Adapter	8189-1
Power Supplies	
PoE Hi-Temp	7412007-003

ORDERING MODEL NUMBERS

3432-1000	IP67 1080p 30x camera, PoE power
-----------	----------------------------------

CAMERA DIMENSIONS INCHES (MM)

