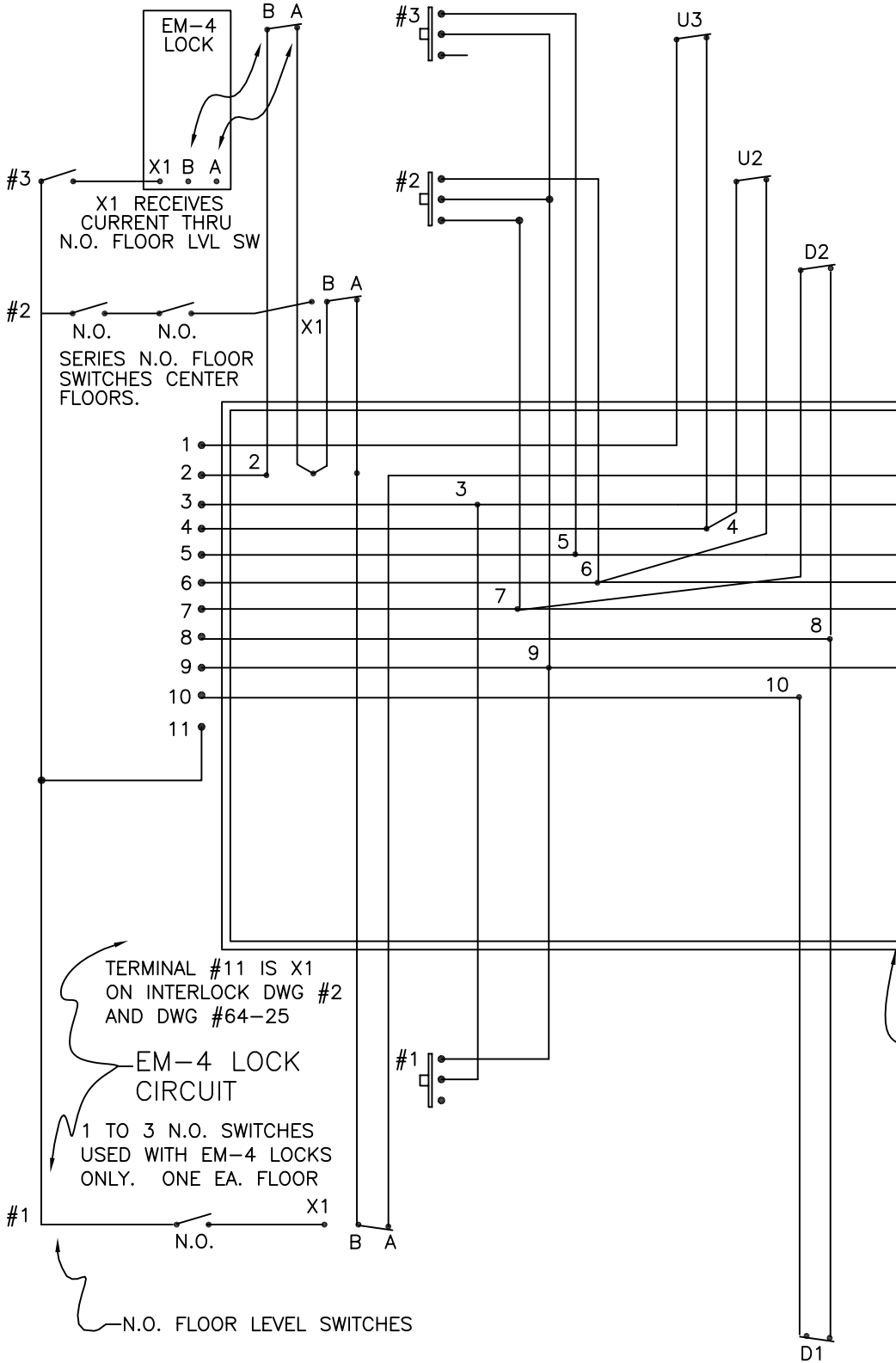
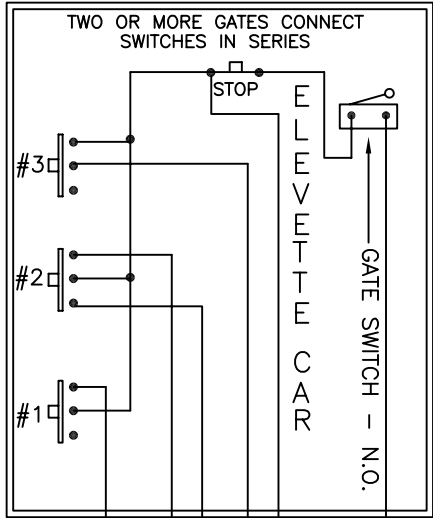


SEE DWG 64-6

DOOR CONTACTS

CALL BUTTONS

LIMIT SWITCHES



FLOATING CORDS

JUNCTION BOX 1' - 6" ABOVE CENTER OF TRAVEL

TERMINAL #11 IS X1 ON INTERLOCK DWG #2 AND DWG #64-25

EM-4 LOCK CIRCUIT

1 TO 3 N.O. SWITCHES USED WITH EM-4 LOCKS ONLY. ONE EA. FLOOR

N.O. FLOOR LEVEL SWITCHES

CALL BUTTON TERMINAL NUMBER

THIRD	9	5	
SECOND	9	6	7
FIRST	9	3	

LIMIT SWITCH TERMINAL NUMBER

UP THREE	1	4	DWN TWO	7	8
UP TWO	4	6	DWN ONE	8	10

THE ABOVE WIRING IS USED WITH EM-4 LOCKS ONLY

F:\PUBLIC\ACAD\WIRING\ARCHIVE\WINDDRUM



HARRISBURG, PA

TITLE: 3LANDING AUTOMATIC
24V WIRING DIAGRAM
PART NO: 3LA562
DATE: 02/20/02
DRAWN BY: FMH