

BLUESKIN NEWS

COMMUNITY NEWSLETTER Est. 1985

JUNE 2023

Seacliff • Warrington • Evansdale • Waitati • Doctors Point • Pūrākaunui

BEAUTIFUL BIRDS



In this issue...

Warrington School page 3

Chimneys page 4

Going nuts in the laundry page 6

Car chaos page 9

Toy library page 11

Poems page 12

Preventing fraud page 14

plus lots more ...

Editor's Note

Hi there, a sticky topic this month, how to deal with Customer Service Centres. I have recently had fibre broadband installed. It was not the easy process I thought it would be.

Chorus, who were wonderful, installed the fibre and a box in my house but trying to convince my internet provider that I needed only for them to switch over my connection from wireless to fibre was much more problematic.

They kept insisting I needed fibre installed first and would arrange it for me!! On their contact page were several methods of getting my message through – I tried email, I tried their chatbot, I even tried their Whatsapp messaging service – nothing came of it, the 'track my fibre' page on their website still said I was waiting for the fibre installation.

Finally, as a last resort, I called the Customer Service Centre and spoke to a very friendly man whose accent was so strong I had great difficulty understanding what he said. Asking him to speak slowly and speaking slowly and clearly myself I thought we had the problem solved. He assured me that everything would be fine and my new fibre service would be up and running that day. An hour later my wireless service was turned off, good, I thought, the fibre will just kick in – no such luck. 24 hours later and after yet another phone call when I had asked to speak to someone whose accent I would have less trouble with the problem was solved. A misunderstanding had occurred!

I can understand that companies want to cut costs by locating Customer Call Centres offshore but is it really in their interests to cause the amount of frustration they do and make the customer feel guilty for not understanding a foreigner? Would love to hear your thoughts on this.

Keep warm and safe, Bernie

RURAL SKIP DAYS Pop up Transfer Station

Warrington Beach Carpark | 3 & 4 June | 10am–4pm

These are cash only collections.

(Waste must not be left at the site outside these times)

NO LARGE ITEMS: i.e. engines, metals, tanks, metal drums, whiteware, demolition materials*, or large items of vegetation**

NO UNACCEPTABLE WASTE: i.e. hazardous waste, animal remedies, herbicides, medicines, medical waste, gas bottles, wire, asbestos or petrol tanks

NO LIQUIDS: i.e. liquids including oil

* *demolition materials – the maximum size of demolition material is 1m in any direction. Material is to be clean and contain no asbestos.*

** *vegetation – no complete hedgerows or similar.*

Fees apply. See website for details.

 **DUNEDIN** | kaunihera
a-rohe o
Ōtepoti

03 477 4000

www.dunedin.govt.nz

Blueskin Bay Community Spaces

Warrington Hall

Available for birthdays, family gatherings, exercise classes, dances and dos etc, at reasonable rates. Hire includes a fully equipped kitchen and tables and chairs.

Contact Lyn 482 2896 or Rowena 482 2667

Waitati Hall

Suitable for large meetings, weddings, parties, concerts, dances etc. (up to 120) features kitchen, toilets, stage, sound system and large projection screen. **Contact**

Blueskin Nurseries on 482 2828

Waitati Hall Meeting Room

Suitable for committee meetings, small gatherings, demonstrations etc. (up to 20 people) features kitchen and toilets. **Contact Blueskin Nurseries on 482 2828**

Blueskin Bay Library Meeting Room

Suitable for committee meetings, presentations, training, interviews etc. (up to 12 people) features modular tables, large projection screen, kitchenette and toilets. **Contact Blueskin Bay Library 482 2444 blucirc1@dcc.govt.nz**

Waiputai Hub – Stephenson St, Warrington

Warm and cosy meeting space, community gatherings, classes, children's parties, and workshops for up to 20 people. Features include small kitchen, comfy couches, tables and chairs, fenced grounds including playground for under 5s and toilets. Available to hire for workshops, courses, children's parties or family events etc. at a reasonable hourly rate.

Booking enquiries to waiputai@gmail.com or Nancy 482 1198 or text 021 171 0226.

Hire charge is usually applicable, details can be obtained on request.



BLUESKIN BAY ONLINE is a FREE searchable Local Business Directory developed to support local businesses across Blueskin Bay.

We aim to list as many local businesses, and trades & services as we can find – to make it easier for you to find and support them too!

If you would like to advertise your business, email your details to: **blueskinbayonline@gmail.com**

or complete the contact form at **www.blueskinbayonline.co.nz**

It's as simple as that

Let's keep supporting our local businesses

Front cover image: Kaka at Orokonui Ecosanctuary - Nick Beckwith

What a fantastic time the year 7 and 8 tamariki had on their adventure camp! Before the school holidays the room 1 tamariki embarked on their first camp of the year. We loaded up the van and cars and headed to Glenorchy.

We left Warrington on a very wet cold day. As we drove over to Glenorchy the clouds were clearing and there was blue sky and sunshine! After a short stop at Cromwell for lunch, we arrived at East Otago Lodge, just outside Glenorchy in beautiful sunshine and dry conditions. The tamariki set up their tents, and helped get everything ready for camp to be successful. They had a MASSIVE day ahead the next day, our adventure to Routeburn Flats hut for an overnight stay.

The bags packed, the children were excited to begin our walk in the sunshine. We had our morning tea and headed off into the bush. The tamariki enjoyed taking in the nature and atmosphere along the walk, and all of them persevered to get to the hut in time for their lunch!

The next challenge was a climb up to the Falls hut. This was made easier as we only had to carry our water bottles and our sense of adventure! At the top we had our bi-annual photograph looking over the valley and at the falls, this may have been the driver for some of the tamariki to get there. A couple of biscuits and baking, and we headed back down the hill. The tamariki were rewarded with a refreshing swim in the glacial river that flows in front of the hut!

It was stunning to see the darkness, and the amazing stars without any light pollution. We walked back out the next day in amazing sunshine! Everyone was tired, but proud as we got back to the basecamp. That evening the children went fishing, and managed to catch a fish eye, 2 rocks, and a stick! They had a great time.

On Friday we had a super special jet boat ride with Dart River jet. The tamariki had a great time, and may have got a little wet a few times! On our way home we stopped off in Queenstown for a yummy pizza lunch.

The tamariki had a wonderful time, and have had chances to have experiences they may not usually have had. This camp is about leadership and resilience, and our tamariki have shown they are capable leaders and have resilience to carry on when things get tough, and can meet challenges head on. Kei te pai tamariki.



BLUESKIN GARDEN CLUB

Club members dressed up in their Sunday Best to attend our AGM which was held at the Careys Bay Hotel on the evening of the 11 May.

Several of us wore clothes that were special to us including furs and jewellery which had been in our families for a very long time.

A delicious meal was enjoyed by all in the comfort of a very warm "snug" – open fire and all. The committee were thanked for their efforts over the year and we farewelled one from the committee and welcomed a new recruit.

Our next group activity is on the 25 May where we will meet at the Warrington Hall to pot up plants and cuttings to on grow for future events, the flower show etc.

On the 10 June we will meet at the Warrington Hall where we will have a craft day. Bring your own knitting, mending, sewing etc or there will be plenty of craft type activities for you to join in with. Both of these days include a bring and share lunch. These days are open to anyone in the community who may wish to join us. It's a great informal way to get to know others and share our love of gardening and also many other interests.

Any queries to Lyn 482 2896 or Lyne 482 2822.

Lyn Hastie, Publicity

SAVE THE DATE 7pm | Sat 22 July Waitati Hall

The stars say, "yes, you should go to this gig". Young rock'n'roll 3-piece the [Allophones] have

organised a series of all-ages, everyone welcome, koha entry shows and for you we have one at Waitati Hall on the 22 July. We wanna celebrate our new 'Eyeball' single with Waitati. In the words of NZ music reviewer Liam Davis, "Dunedin trio the [Allophones] are bringing back the Sex Pistols era of punk into a modern society that desperately needs a rebellious spirit".

Joined on the night by moody local synthesiser maestros Robots in Love, and chiptune enthusiasts who sound like they have fallen out of a Nintendo gameboy and into our reality, E-Kare.

www.youtube.com/watch?v=Dc6hVnkudY8

www.instagram.com/allophonesnz/



Chimneys – A day in the life of a chimney sweep...

The importance of cleaning your chimney and firebox

I never thought I would see the day when I would enjoy forensically examining the inside of someone's flue or firebox. For the past few months I have been helping a friend do just that and I have developed an appreciation for the trusty woodburner.

Since March we have cleaned chimneys and woodburners of every model, shape, size and age at locations between Mosgiel and Palmerston. Apart from well maintained woodburners, each "sweep" brings its own set of challenges; the day in the life of a chimney sweep is an interesting one. There is far more to simply cleaning a chimney to ensure efficiency, maximise heat output and most importantly, ensuring the continued safety that you would expect with a blazing furnace placed within the confines of our timber homes, which is what brings me to share a few tips to help encourage you to get the most out of your woodburner.

Firstly and most importantly your chimney flue must be cleaned, at least every two years. Manufacturers of modern wood burners are recommending two cleans per year, for reasons set out below. The reason for cleaning your flue is to keep it clear of creosote and carbon which gradually build up on the interior of the flue, eventually restricting airflow through the 150mm diameter chimney which allows smoke to escape. Over time an unclean flue can be restricted to 50mm of clear airspace. This creates a significant fire hazard. As the creosote

and carbon continually heats and cools and builds up, it ignites within the confines of the flue. Flues are designed to withstand vast quantities of thick hot carbon smoke, however, the rivets which join sections of flue together are not. They eventually rust out and may lead to a separation of sections of flue, allowing fire to escape into your roof space.

Generally, creosote and carbon build up is thickest in the section of flue within your roof space due to the sudden cooling effect of smoke leaving the hot fire box. Wood burners are designed to burn to capacity, that is they function best when burning hot and fast with dry wood. Burning wet wood, plastics, nappies, polystyrene and other toxic materials increases the build up and degradation of your flue. Modern wood burners are not designed to be dampened down at night and those that do also allow for an intense build up of carbon.

Wood burners provide instant radiant heat and burning away slowly overnight, while keeping you warm, is creating carbon and build up and that will be evidenced by black glass and a smokey room.

In our opinion, as many modern fire boxes reach 15 to 20 years, the flues are potentially being compromised by poor maintenance which brings me to point two.

A 'chimney sweep' as commonly referred to, should in fact be referred to as a "Flue and Firebox safety and maintenance check". Our fire boxes comprise several components, each essentially for maximising heat output and importantly, creating efficiency.

The firebox contains fire bricks on the sides, a steel promet and fabric baffles at the top of the fire box, a clear 150mm flue and a cowl, which is designed to weatherproof and draw smoke through the flue. Some fires have airflow pipes, which over time also require replacement. Fire bricks hold and transmit heat and should last several seasons. The promet keeps in heat and allows adequate draw through the fire box. A promet should last the life of the fire box and baffles be replaced every few seasons.

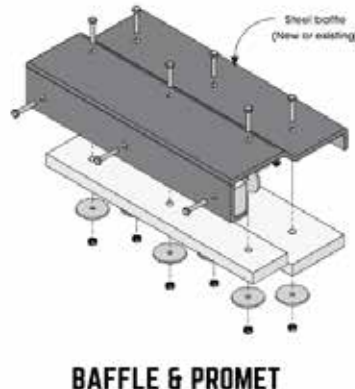
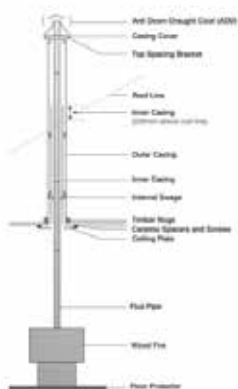


Finally, with our very modern, double glazed airtight homes, airflow through your fire box can be compromised. This is known as 'Negative Pressure' where airflow is restricted and oxygen depleted causing your fire to burn slower and slower. To make matters worse, using an extractor fan or kitchen extractor within your home further causes negative pressure drawing smoke from your firebox into the room. An unclean flue exaggerates that problem. If this occurs, an immediate fix is to open a window to allow immediate air flow and manufacturers are recommending a ventilation system be installed as a long term solution. That seems to defeat the purpose of an airtight home.

In any event, a clean flue and the regular maintenance of your fire box components will ensure efficiency and cost effectiveness.

Brett Robertson

FIREBOX ANATOMY





Pūrākaunui School



Our Autumn Fair event at the end of April was so well attended and the beautiful weather lit up the slice of paradise for all to enjoy.

The event was incredibly special, being our first fair since 2019, and it was great to see so many people turn up who had connections with our kura going many years back, and many also from our wider community. A huge thank you to all of our parents and helpers for their mahi; to our sponsors for their donations which made a tremendous raffle; and to all who came to support us on the day.

Our tamariki all worked hard too to make products to sell at the fair – cooking pickles; making beeswax wraps; harvesting and preparing hazelnuts; pressing apple juice; and helping to set up the stalls. The funds raised will go towards the development of a bike track around our school field.

Some of our favourite memories from the fair were:

- Eating and drinking! Sausages, woodfired pizza, baking, soup, lemonade and apple juice.
- Bouncing on the bouncy castle.
- Painting rocks.
- Buying new toys.
- Hearing music, people laughing, and kids screaming happily.
- Seeing a goat on the field and one of the dads being dragged along the ground on his bum in the tug of war!



Going nuts in the laundry

by Hilary Rowley

“I’m just popping out to forage some laundry detergent”

I never thought I’d ever make a statement like that, but here I am doing weird things with nuts again.

I’d seen soap nuts for sale, and thought it seemed a little excessive - buying something which had to be transported all the way from India as a natural alternative to soap made in New Zealand. But then I found out that horse chestnuts can be used in place of soap nuts to do laundry. How can this work? Well... saponins are the naturally occurring soapy substances in some plants, like soapwort and soap nuts and horse chestnuts.

Horse chestnuts are very commonly planted in public parks (much to my annoyance as I wish people would plant edible sweet chestnuts instead), and there is zero competition for picking up the nuts as they are inedible and even rats and possums leave them alone.

To get enough detergent for a load of washing from horse chestnuts, just collect a good sized handful of nuts, say 5 or 6, wrap them in an old t shirt and smash them with a hammer until broken up a bit. You can also use a blender to give them a quick whiz and break the nuts into pieces. The smaller the pieces the shorter the soaking time, but you don’t want to make a slurry, so not too small.

Pour one cup of boiling water over your chestnut bits, and leave to soak for half an hour for fine bits, up to overnight for chunky bits. The water turns milky this is the soap being extracted. Strain off the liquid and use it to do a load of washing.

If the liquid is too much for the liquid detergent dispenser in your front loader just throw it in on top of your clothes. If you want anything other than a natural scent on your washing, add a few drops of essential oil such as lemon or lavender.

For a year’s supply you only need about 10kg of nuts. I would chop them while they are still relatively soft and fresh, then dry and store them.

The waste can be thrown in the compost. There is no plastic or cardboard, no advertising, nothing but something which actually makes a good job of washing your clothes and it costs nothing at all. Nuts.

Halo Project Update



Source to Sea Planting Days – Wharewera/Long Beach – 2023

A massive thank you to all the volunteers that have given their time this year. Over the last two planting days over 150 volunteers have attended and collectively put 3000 seedlings in the ground!

We have a variety of tasks at our community planting days. From digging to planting, or folding cardboard guards, there is something for all interests and abilities.

If you have a community or business group who would like to attend, please let us know.

**Upcoming planting days:
Tuesday 20 June 10am – 3pm**

Location: Head to Long Beach, turn right onto Beach Road and drive to the end of the street.

What to bring: Warm clothes, sturdy footwear, food and a drink.

Cost: No cost we appreciate you volunteering your time.

Register: Please contact jeanne@haloproject.org.nz to be updated about wet weather cancellations.



These incredible volunteers helped to plant 1500 seedlings at the recent Wild Dunedin picnic and planting day!

Waikouaiti Coast Heritage Centre

On Saturday 29 April we had an interesting afternoon with the ladies from the East Otago Embroiders Guild stitching their Sir Truby King tapestry for the 'Stitch in time' national project. To those locals who came to add their stitches or just to see the ladies at work, it was clear they enjoyed themselves. In addition we had a few out of towners visiting the Heritage Centre wondering what all the hilarity and chatter was about. Once enlightened, they became very interested in the project and watching the ladies at work.

We continue to have an increasing number of overseas visitors through our doors, which is lovely to see, not just for us but for the NZ tourism industry. Long may it continue.

Behind the scenes, work is progressing towards the restoration of the old bank building, and we should have



East Otago Embroiders Guild

more detail as to the cost of the restoration within the next few months. I'm not sure if I want to know if I'm honest, so if anyone out there would consider investing in our project, we would really love to hear from you. We will be holding our AGM towards the end of August (date YTBC) and if interested you would be more than welcome. There will be an invited guest speaker as well.

Waikouaiti Open Hours

1–4pm Wednesday/Thursday.

10am–4pm Friday/Saturday/Sunday

Shirley McKewen, Treasurer

WAIKOUAITI COAST COMMUNITY BOARD UPDATE

It is sometimes said “Half a loaf is better than no bread at all!” Well, we got our half-loaf with an extra morning bus now taking passengers from Warrington and Waitati to Dunedin to relieve the overcrowding on the bus from Palmerston to Dunedin via Waikouaiti and Karitane. Reports we have had from passengers suggest that this has helped a bit, but the same arrangement outward from the Dunedin bus hub in the afternoon is also required. It is pleasing that we are receiving some good and accurate feedback from some passengers on the route. We give all of this feedback to the Otago Regional Council and we hope that the return journey in the afternoons will soon have the extra bus. Keep the feedback coming.

I think we all got a bit fed up with the long queues in and out of Dunedin while NZTA carried out the long-awaited resurfacing of the highway up around the Leith Saddle. They made a nice job of it and, having just spent a week dealing with the motorway traffic while working in Sydney, ten minutes or so relaxing on the northern motorway isn't really such a big problem after all.

It has been pleasing to see that the DCC vegetation control contractors have been taking care of the overgrown trees, shrubs and long grass alongside our local roads. Please remember that, if you are concerned about anything relating to our local infrastructure, you can phone 477 4000 about it. Make sure you get a reference number from the person who answers your call. You can also do this by email.

The last day of June marks the end of the current financial year for Dunedin City Council. Our next meeting will be held on Wednesday 28 June at the East Otago Events Centre in Waikouaiti starting at 5.30pm. We still have some funds available in our Discretionary fund, and this will be topped up to \$10,000 on 1 July. We look forward to receiving grant applications from any community groups who are in need of a bit of financial assistance. Details on how to apply for a grant can be found on the Dunedin City Council website. If you would like more information about applying for a grant, feel free to contact any board member.

Alasdair Morrison, Chairman

Waikouaiti Coast Community Board

0274 354 384 | info@calmarine.co.nz

An almost see through sky

I wonder what they meant,
The flowers between pages.
The petals amidst words
And which stories they may tell?
Preserved are the flowers between pages
Hand in hand,
Vein upon vein
And I wonder.
Wonder if they saw what I see,
Felt what I feel in between the lines.
I dare not touch them,
Lightly tip East to West
To not disturb.
They are cradled,
These petals between lines.
Page turns and it sinks deep.
Outward sigh to a garden of weeds,
No orchids lie between
Slivers of tree.

Ben Wilmot



BEAUTIFUL BIRDS



Local bird photographer Nick Beckwith will give a presentation about his experiences capturing on film the lives of our neighbourhood birds. Derek Onley the ornithologist, renowned for his illustrations in 'The Field Guide to the Birds of New Zealand', will also be on hand to answer questions.

FREE

Wednesday 21 June | 5.00pm
Waikouaiti Library

Photo: Nick Beckwith

CITY MOSGIEL BLUESKIN BAY WAIKOUAITI PORT CHALMERS SOUTH BOOKBUS

OneCoast and Blueskin Bay

Most of OneCoast's waste minimisation activities are based around Waikouaiti, but we are always aware that Blueskin Bay is part of our catchment, and one of our greatest inspirations. Your late lamented Free Shed was one of the models that led us to make one of our containers free. This has been the greatest success of our hub at the Transfer Station and the enterprise which has allowed us to keep the greatest quantity of goods out of landfill. Your Buy Nothing Blueskin Bay facebook page has given us the example of passing on information about goods we have not got room to store ourselves, and Blueskin residents have been among our greatest supporters as donors, recipients and helpers.

Now we would like to give something back. We have received a grant from the DCC to run a series of workshops on topics that help us towards zero waste, and we would like to carry out at least some of these in Waitati or Warrington. When we were collecting data for our application, these are some of the topics that were most popular:

- Sustainable food preparation - preserving, fermentation, etc
- Sustainable fashion demonstrations, eg clothing repair, clothing choice, up-cycling
- Food waste to plant food - worm-farming, composting, bokashi, etc
- Repair cafes for clothing, bikes, tools, furniture, etc
- Rugmaking, patchwork workshops - re-using old clothes and fabrics
- How to start a bulk buying group to reduce packaging waste

A number of people indicated that they would like some of these to take place within Blueskin Bay. So let us know which workshops you would prefer by emailing us at hello@onecoast.org or chair@onecoast.org and we will see what we can do. If any of you have special skills you could pass on relating to these or any other zero waste topics we would love to hear from you. We have some funds as koha for demonstrators.

If you want to find out more or show your support, come to our Show and Tell and Annual General Meeting from 2:30pm on Sunday 25 June at the Events Centre in Waikouaiti.

Judy Martin, OneCoast Chair | 021 130 7765

Car Chaos

Ah Auckland... such a rich vein of climate crisis. Our Super City has lately become our Soupy City. Unprecedented rainfall events have swamped the Auckland peninsula. And scientific modelling predicts more, not just north of the Bombay Hills, but right around the planet. Recent global events are the pudding-of-proof that anthropogenic climate change is the here and the now.

Apparently, Aucklanders are being urged to become flood-preppers. Having seen a few episodes of American Doomsday Preppers, I'd suggest we don't follow their tactic of digging back yard bunkers. I'd also suggest we expand the premise to us all becoming climate preppers. The reality is, atmospheric rivers and resultant flooding events are only part of what's to come. For those of us in the bush, prepping for heat events, drought and fire is required. Coast-huggers need to prep for storm surge, erosion and managed retreat. The global population need to prepare for huge sea level rise, decimation of long existing cities, and the social upheaval this will unleash.

And social upheaval was almost foisted upon Auckland these past few weeks. When decision makers urged everyone to head home early, our dependence on single person motor cars created instant grid-lock on the roads. Public transport systems were unable to operate effectively as buses and trains became ensnared in the traffic chaos. This, to me, is a second helping of the proof-pudding, that efficient public transport systems should be carting huge percentages of city dwellers to and from destinations, so when calamity strikes we don't perish in a traffic jam.

Doug Nuttall

June International Days

Thursday 1	World Milk Day
Saturday 3	World Bicycle Day
Monday 5	King's Birthday World Environment Day
Wednesday 7	World Food Safety Day
Thursday 8	World Ocean Day
Monday 12	World Day Against Child Labour
Wednesday 14	World Blood Donor Day
Thursday 15	Global Wind Day
Sunday 18	Autistic Day
Monday 19	World Sauntering Day
Wednesday 21	World Music Day
Friday 23	International Widows Day
Friday 30	Asteroid Day

WAITATI BOOK CLUB by Ian Melvin

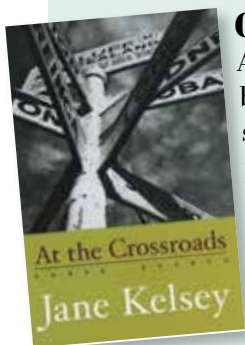
With the Coronation safely behind us we can now embrace the opportunity to deal with the more consequential matters at hand ie. Bookclub. We set off for Peter's abode with Ross, picking up Paul on the way to give us a full complement for the journey. Arriving at the door we negotiated our way past the enthusiastic canine welcoming committee of one, very happy to see us, tailwagging member of the family and settling around the table, we swiftly began the routine of pouring drinks, passing platters, and beginning the process of grappling with the political, personal, literary, and other realities of our times – and enjoying Peters generous hospitality.

THE BOOKS

Ian – *The Stranger/Outsider* by *Albert Camus*, and the literary response or riposte to this, *The Mersault Investigation* by *Kamel Daud*. Not really a lot of discussion on the first book, a well known classic novel: the story of his anti-hero Mersault, a dysfunctional personality lacking in empathy and emotionally disconnected from others and the world around him, who weeks after his mother's funeral kills an unarmed Arab man in French Algeria. The second book from Daud an Algerian writer takes the story and turns it on its head, reflecting it and the consequences from the Arab victim and his family's perspective. I was the only one to read both books together. My view is, if you read one you should probably read both, neither book is uplifting, the opposite really, but they are significant books, by very talented prizewinning authors about things that matter in a post-colonial world.

OTHER BOOK

At the Crossroads by *Jane Kelsey*, a set of three essays published in 2002. *The Wobbly Bicycle: The Third way* – rejecting and dismantling the theory and support for globalisation and freetrade etc. and the Clarke Labour government's attempt at transformation. *Taking the High Road* – the rejection of market led approaches to nation building and an alternative set of strategies, and propositions, pathways to put people, cultures and environment at the centre of our thinking ahead



of profit and growth. She could be talking about this government and her viewpoints are even more relevant now than they were then. Please read this before the election!

BEER

Marc – after an absence of many months, I was last week able to buy *Leffe Blonde* again. A *Belgian Abbey* beer, of medium strength with a rounded complexity of flavours that admirably suit a late sun drenched autumn afternoon. We have been having a few of those lately.

Scott – *Blue Rock – Farm Fresh Pilsener* by *8 Wired Brewery*. 5.5% alc/vol. Fresh and bright and definitely reminiscent of spring, this is a lovely drop for Pilsener fans.

MUSIC

Marc – I have been enjoying the music of *Christine Pluhar* and the group of *L'Arpeggiata*, a new take on early music. The track *Tarantella Napoletana* on YouTube is a stirring introduction. Or Monteverdi's *Lamento dello ninfa* with *L'Arpeggiata* and *Nurial Rial* – a fine take on a moving lament.

FILM

Alone in Berlin, based on a true story. After Otto and Ana, a working class couple, lose their son on the frontier in the second world war, they turn anti-Nazi and start a discreet campaign to denounce the government. Starring the brilliant actors *Brendon Gleeson* and *Emma Thompson* in the lead roles, it is a sobering reminder of the real heroism and bravery of ordinary folk and non-combatants who also lose their lives in times of war. I highly recommend this!

Misbehaviour, should be *missbehaviour*. The birth of feminism, as the Miss World competition is disrupted by a determined group of female protesters, achieving overnight fame when they invade the stage during the live telecast. They start a movement that rapidly spreads across the globe and continues to this day, thank goodness! Of course the stars of the show are an array of talented actresses in a range of leading roles.

WORD OF THE MONTH

Decolonisation – "...of former colonies and indigenous peoples through reparation and empowerment, replacing the negative legacy of poverty, marginalisation, and conflict with self-determination and, mutual advantage and respectful coexistence..."

MEANING OF LIFE

"Visit a Marae and learn there is more than one world view. The whaikōrero might help them understand that the Treaty is not an ancient and irrelevant document that guaranteed rights over land, but is seen as a living, breathing compact between tangata whenua (the people of the land) and tauwai (those that came later) that is as relevant today as it was in 1840."

"They would certainly get a very clear message about models and solutions imposed from outside – whether through the paternalism of the welfare state, the Treaty settlement process, or 'losing the gaps' – and the need for Māori development to be generated from within..."

All quotes from *At the Crossroads*

Waitati

SCHOOL UPDATE



Kia ora community, Waitati school had a wonderful time at Puketeraki Marae from Wednesday 3 until Friday 5 May. During the day we split into two groups. One group did the Waka Tour, crossing to the spit in a waka and a walk around the Peninsula while the other group learnt how to make Māori kites and listened to the Purakau of 'The coming of the Arai Te Uru Canoe'. Thanks to the Waka Tours for the excellent experience. Thank you to Rua and Mauraka from Puketeraki Marae for sharing the Purakau with us. Thanks to Aroha for setting us up well. Thanks to Poutama and Shania and family for supporting us. Thanks to Selai for feeding us. The camp concert was of course a highlight. We had such a wonderful time, with rich learning. We were all really tired by the end but so happy.

We want to keep working on our kites and display them for a Matariki celebration this year. We are planning a community event on 27 July at 5pm.

The Year 6-8's are continuing on with their William Pike Challenge. They are also wanting to fundraise for ski camp. If you have any jobs that you would like a group of responsible young people to do, please contact the school office.

Sport continues with our amazing sports co-ordinator Bec. This term the teams are involved in netball, rugby, and hockey. The learners are also practising for cross country next term.

We are welcoming some New Entrants over the next term. So exciting to have new families come and join us.

Tara O'Neill, Principal



Waikouaiti/Palmerston Toy Library

Although the Waitati Toy Library closed down last year, did you know there is an active toy library based in Waikouaiti? Toy libraries offer a wide range of toys appropriate for children at different stages in their development. They can provide children with new play materials every week or two, saving parents money and keeping children from getting bored, stimulating their growth, development and education. Joining a toy library and re-using toys rather than buying them helps reduce landfill waste from discarded toys and packaging.

How does a toy library work? You pay a membership fee (at the Waikouaiti/Palmerston Toy Library there are a number of membership options ranging from \$5 to \$60) and can take out up to 12 toys at a time, with no additional fees charged for hire. Toys are hired out for 2 weeks at a time and can be renewed. Like the DCC Public Libraries, no fees are charged for late returns either!

Where are we? The Toy Library is located at the Waikouaiti Racecourse, at the corner of Clackmannan Street and Cupar Street.

When are we open? Currently the Toy Library opens between 10.30am and 12.00pm on Saturday mornings

What kind of toys do we stock? We have a wide range of both indoor and outdoor toys and developmental and educational toys from many well-known and loved brands designed for ages from 6 months up to about 8 years old. Check out our website www.wptoylibrary.mibase.co.nz or Facebook Page [@WaikouaitiPalmerstonToyLibrary](https://www.facebook.com/WaikouaitiPalmerstonToyLibrary).

We are a not for profit community service run entirely by a committee and volunteers for the benefit of children in our local community. We are currently looking to recruit more committee members and/or volunteers. If you would like to find out more and/or could spare an occasional hour and a half of your Saturday morning please come and join us at our AGM on Saturday 24 June at 12 noon at the Toy Library, or if you can't make it to the AGM please contact us by email at wptoylibrary@yahoo.co.nz and arrange to come to a future committee meeting or to meet with one of the committee members.



This is an opinion piece designed to promote feedback. If you feel you'd like to respond – email blueskin.input@gmail.com

What Makes Me Glad

People, Tradies, Businesses, Professionals, who do what they say they will do; do it with care and attention; turn up when they say they will; charge what they said they would. If there is a problem, let you know and talk to you about it; consider your opinion; listen when you try to explain; go the extra mile; and maybe even have a sense of humour...

What Makes Me Mad

When they have or do none of these things...

What Makes Me Sad

When you have someone like this and they retire, move away, pass away, close down, sell up, etc. and you know you are unlikely to find someone else the same. Treasure those people, support their businesses, tell others about them, and most importantly tell them how much you appreciate them...

The Flower

He danced

She smiled

They drank

He drunk

He succulent

She daisy

He rose

She rose

Fast like instinct

Seconds passed like
hours

Past like ours



OPINION PIECE

Clearing the Air

Dangers of our 2 stroke motors

In the March issue of the Blueskin News I wrote about the dangers of 2 stroke motors. These motors give off massive amounts of pollution, releasing 30% of unburnt carcinogenic fuel into the air, endangering our health and the environment. One hour of using a 2 stroke motor releases as much pollution as driving a modern vehicle over 8,000km.

I had some interesting reactions from people.

Some people found this just too extreme to be believed. However, a statement can sound extreme and still be true.

Other people said that references can be faked. These people would need to check out a range of references themselves and question the motivation of people that wrote them.

Since these motors are frequently used by us on our properties I think it is in our interest to look into what they do to us and our environment.

And here is what the Toronto Environmental Alliance said in 2020.....

..."Gasoline powered 2-stroke engines produce significant emissions which are harmful to air quality and human health."

"Over 100 cities across North America have banned or limited the use of these gas-powered engines."

www.toronto.ca

[communicationfile-118418.pdf](http://www.toronto.ca/communicationfile-118418.pdf)

Ms Informed

MY SAY FOR TODAY ON THE BAY IF I MAY

(some last minute late night word nerdery)

The call out from Bernie
Sent me on a journey
To think up a rhyme
And submit it in time

The deadline for June
Is awfully soon
So before I start dozing
I'll do some composing

Considerable luck
And a good deal of pluck
Has meant I can stay
In this beautiful bay

Though we may not thank it
When it's clothed in its blanket
When the sun comes out
shining
That's the end of our whining

I love it so much
And the people are such
That I feel right at home
Like a happy garden gnome

To wake up to tui
With their raucous morning
hui
Is such a great treat
And starts the day sweet

The air is so fresh
And the sanctuary's spesh,
The estuary and beach
Are such bliss within reach

I've found from day one
A great sense of fun
Is evident clearly
And people care dearly

And I'd just like to say
In this weird rhyming way
Via the blueskin news
That I think all of yous...

...ARE FREAK'N' AWESOME!!

Janet Brown

BLUESKIN BAY LIBRARY

28 Harvey Street, Waitati, 9085 • Ph 03 482-2444

www.dunedinlibraries.govt.nz

What's On

King's Birthday

Monday 5 June - the Library will be closed

Meet the Neighbours

Professor Holger Regenbrecht

Thursday 8 June, 6pm



Ātea Presence — a virtual reality research project with Te Rau Aroha marae in Bluff

Holger is a professor with the University of Otago's Information Science department. He is an expert in virtual reality technologies, in particular in applying VR to different (meaningful) domains. One of his main projects over the past few years deals with developing technology and tikanga around virtually (re-) connecting dispersed Māori people to their marae. He and his team 3D-reconstructed the whareniui of the marae in Bluff, recorded storytellers in 3D, and prototypically allowed remotely located people to meet virtually in the whareniui with each other and with the virtual storytellers. Holger is presenting impressions and insight from this Ātea Presence project. FREE

Blueskin Bay Knitwits

Mondays, 6.30 - 8.30pm

(contact Christine 021 133 9340)

Tuesdays, 2.30 - 4.30pm

All ages and experience levels are welcome.

Games Galore & Lego*

Every weekday, 2 - 5pm & Saturdays 10am - 1pm

Come along and join in the fun of board games for all ages. Or, drop-in and build something awesome with our great new Lego pieces. *Suitable for ages 5+.

Bookshare

Thursday 22 June, 3.30-4.30pm

Join us for tea and a chat about what you're currently reading and get ideas for what to read next. All welcome.

New Library Hours

Customers of the Blueskin Bay Library can now enjoy the benefits of consistent weekday opening hours after consultation showed overwhelming support for the proposal. From Tuesday 6 June the Library is open:

Monday - Friday: 11am - 1pm & 2 - 5.30pm

Saturday: 10am - 1pm

We hope this will make it easier to remember when the library is open. It also results in a small increase in total weekly opening hours by 1½ hours.

Many thanks to everyone who filled in the survey and helped to make this happen.

Storytime coming soon...

Fridays starting 21 July, 11am

Introduce your child to the wonderful world of books and language. Visit the Library for half an hour of stories, both old and new. Suitable for pre-school children and their caregivers.

Recycling Tetra Packs

Last year Leisa de Klerk was awarded the Jan Tucker Special Award at the Keep Dunedin Beautiful community awards for her work leading this initiative to recycle liquid paperboard products. Please help her by washing, opening and flattening your packs.

Seed Cabinet

It's not too late to plant your broad beans, pick up a packet from the seed cabinet or drop off your surplus. Our next seed swap is coming up in July.

All Saints' Fruit & Veg

If you'd like to sign up, take a look at their website www.allsaintsdsn.org.nz/all-saints-fruit-and-veges or pick up a form at the Library. All orders must be placed by Monday and picked up at the Library between 4-6pm Thursday. Unclaimed bags will be left in the Anti-scurvy Pantry.

DCC Service Centre @ Blueskin Bay Library

Open until 5pm weekdays for:

DCC rubbish bags, dog registrations and poo bags, Bokashi buckets, parking fines, rates, 75+ parking permits and Bee Cards.

DCC Rates are due 2 June 2023.

Monday - Friday: 11am-1pm; 2-5.30pm
Saturday: 10am-1pm

Preventing Fraud

Kia ora!

As I sit here, behind a desk at an undisclosed location, my computer screen shakes in rhythm with the music of a displeased person pounding at the walls of his temporary hotel room below. It makes you think about the choices we make in life. The choice that one individual made resulted in their stay in temporary accommodation not far from the visibility of the crashing surf. Unfortunately, their view was a little restricted!

We all make choices and occasionally, with the way the world is economically, those choices are hampered by the rising cost of living. All the more reason that we should stick together and take better care of ourselves, our whanau, and our friends. Money is hard earned and easily taken away!

In this issue, I share a couple of scams for you to discuss with your whanau and friends. Each topic relates to somebody else wanting you to part with your money, and information, at a time when you are vulnerable. Without you realising, that vulnerability can come from your age, sexual identity, background, or from the circumstance you are in. We all want to believe the good because that is the romantic and caring side of each of us. In contrast, it is very difficult to recognise the bad and the cruel.

The second case revolves around me as a young 16-year-old, alone and with not only time on my hands. A friend request pops up and I cannot believe my luck, or my eyes. A very attractive profile wants to make friends with me. How could I resist? I didn't! I am weak. Luckily, we got on very well and became super close. I introduced the lucky person to all my friends and family on Facebook, Snap Chat, Tik Tok, Tok Tik, Chat Tok and Tik Chit as well as all my other apps. We even got to exchange some very naughty intimate pictures of each other. I couldn't wait to meet this person. Then, horror strikes! I mean HORROR in capitals. The person who I thought was my life was now demanding money. I was being blackmailed for cash to stop the pictures of my magnification being published to all my friends and family.

Can you imagine the pain, suffering and harm done by this type of offence? This is very serious and can be life threatening so talk about this with your children, talk about it at school, to teachers and as many people as you can. It does not matter your sexual orientation, there are others out there who wish to abuse and blackmail you. Comfort and support any victims. It is not their fault. Make sure you report these cases to police and if the victim is vulnerable, ask for help.

Back to my story! The blackmailer wanted \$500 not to release the picture of my big and enormously magnified thingy. I messaged the question, 'Why would I want to pay you \$500 for a picture of my brother Steve's wanger!'

Rick Bourne

Remember: Stay safe and look after each other. We are all whanau!

CASE 1 – Scammers change just a few letters or maybe a single symbol that you do not see. Everything else about the image is true. The phone numbers and website are correct.

Here is a screenshot of a section of email sent to a victim already scammed where monies had gone overseas. The victim was trying to recover their loss and had been offered assistance to do so. The email read, 'Dear Kindly sending you an email with attached corresponding document regarding the request by the expert (name removed) on behalf of your name. Please read thoroughly the information and apply to FCA expert (name removed), reference No OXPo**020 for further assistance to recover your funds.'

Analysis: The email address is false and if you hover your cursor over the hyperlink in any email, this may reveal the correct address of the sender. In this case the email address was one the fraudster created by adding the words 'support' and 'help' but losing the fca.org.uk part. The grammar and spelling in the email is atrocious and not worthy of any marks! Interestingly, www.fca.org belongs to the Fellowship of Christian Athletes so the fraudster wasn't that smart!

Had the victim followed up, they would have been asked for funds in advance to release the recovered finances which of course would never be released.

The Financial Conduct Authority
Support,
Customer Relations Department



Email: support@helpfca.org
Website: <https://www.fca.org.uk/>
Freephone: 0800 111 6767
From the UK: 0300 500 8083
From abroad: +44 207 066 2000

Around the Bay – June Events

ARC BREWERY	
SUNDAYS	Live Music: 2 – 5pm Contact 021 4108 1141

ST BARNABAS CHURCH	
SUNDAYS	Service: 9.30am Contact Jeremy 027 436 1481

BLUESKIN LIBRARY	
Thursday 8	Meet the Neighbours: Professor Holger Regenbrecht – Ātea Presence – a virtual reality research project with Te Rau Aroha marae in Bluff
Thursday 22	Blueskin Bookshare: 3.30 – 4.30pm
EVERY DAY	Games Galore & Lego: Every weekday, 2 – 5pm & Saturdays 10am – 1pm
MONDAYS	Blueskin Bay Knitwits: 6.30 – 8.30pm Contact Christine 021 133 9340
TUESDAYS	Blueskin Bay Knitwits: 2.30 – 4.30pm Contact Christine 021 133 9340

BLUESKIN NURSERIES	
Monday 17	Kath Irvine of Edible Backyard will be holding a workshop on pruning

GALLERY ON BLUESKIN	
Saturday 3	John Egenes: live music, koha 7pm
Wednesday 7	Quiz: 6.30pm
Wednesday 28	All that Jazz with Paper Moon: live music 7pm

WAITATI HALL	
MONDAYS	Steady As You Go: 1.30pm Age Concern Gentle Yoga: 6 – 7pm Bring your own mat \$10pp Contact: hagino.yoga@gmail.com Table Tennis: 7.30pm til late Contact Nigel 021 236 2818
TUESDAYS	NIA Dance Class: 11.30am-12.30pm \$10 Contact: Clare Reilly 021 177 5350
WEDNESDAYS	Yoga Theme Class 6pm Yoga Restore & Rejuvenate 7.15pm Bring your own mat \$10pp Contact: hagino.yoga@gmail.com
THURSDAYS	SHINE BRIGHT – Pilates for Back and Posture: 11am – 12 noon. Casual \$18, concession 10 sessions \$130, Sabine 021 207 0664
SATURDAYS	NIA Dance Class: 4 – 5pm \$10 Contact: Clare Reilly 021 177 5350

WAITATI VILLAGE	
Sunday 3	Village Market: 11am Contact: Mandy

WAIPUTAI HUB	
Contact waiputai@gmail.com or text 021 171 0226 for more information and for all bookings	
MONDAYS	Music lessons (during school term weeks only). String instruments 4pm onwards. Contact: Nancy
TUESDAYS	Ping Pong: 7 – 8.30pm. All ages, levels and drop ins welcome. Contact: Helena 022 6474 738
WEDNESDAYS	Pilates: Intermediate 9.30 – 10.30am Beginners 10.45 – 11.45am Open Class 5.30 – 6.30pm Contact: Dell 020 433 3355 Youth Ping Pong: 3pm. Contact: Helena 022 6474 738
THURSDAYS	Homeschool Group: 12 – 3pm Contact: Amy Pilates: Casual session 6.30pm \$18 Contact: Sylvia 021 109 9302
FRIDAYS	Guitar/Ukelele lesson for children Every other week (class full), June 9 & 23 5.45 – 6.15pm. Tutor: Peter Gillan, contact Nancy 021 171 0226 Guke Group: 6.30 – 8pm June 9 & 23. Community guitar and ukelele singalong. Performance free fun. Everyone, including new 'dropins', welcome. Contact- Jenny or Nancy 021 171 0226
SUNDAYS	Blueskin Bay Orchestra rehearsal 4pm – 6pm. Contact Emily

WARRINGTON HALL	
TUESDAYS	Indoor Bowls: 7.30pm
THURSDAYS	Seasonal Hatha Yoga: 6.30 – 7.30pm Bring your own mat \$10pp Contact: hagino.yoga@gmail.com
SUNDAYS	Waitati Warblers: Singing for joy 6 – 6.30pm Nancy Contact nancymiller140@gmail.com

WASTE RECYCLING – WEEK TWO	
Monday 5	Bottle Recycling Blue Bin at your gate early
Monday 12	Paper and Plastic Recycling Yellow Bin at your gate early
Monday 19	Bottle Recycling Blue Bin at your gate early
Monday 26	Paper and Plastic Recycling Yellow Bin at your gate early

CLASSIFIEDS

LOOKING FOR PART TIME WORK

Child care, babysitting, animal care, retail, teacher aide, helping with packing for house move etc – open to your ideas. 66 yo female, ex teacher. Ideally work between Warrington and Port Chalmers as I am in Osborne.
Caz 021 125 3709

BLUESKIN PLAYCENTRE

Open Mon, Tues, Wed from 9 –12 during term time. Come and visit us! We are located at Waitati Primary School.

EAST OTAGO PLAYGROUP

Coffee group for parents and children (under 5) 10am – 12pm every Wednesday during School Term at Waikouaiti Plunket Rooms, East Otago Events Centre. Ph. Annabel 027 2291 608 (Community Support Co-ordinator) for more info or just drop in.

LANDSCAPING, GARDENING AND PROPERTY MAINTENANCE

Anything from small jobs to garden transformations! Your friendly, local experts. Contact Baden on 022 152 9523 or info@oxleypropertycare.com

WARRINGTON PHYSIOTHERAPY

For your ACC/chronic injuries. Open Tuesday – Friday. Friday appointments free for those with a community services card. Contact Jennifer on 022 397 8108

LILLIPUT LIBRARIES

28 Brown Street, Waitati, Coast Road and Watson Street, Warrington

SHINE BRIGHT Nordic Walking

Wednesdays 9am different locations, 1.5h. Casual \$18, concession 10 sessions \$130, Sabine 021 207 0664

WAIKOUAITI COAST HERITAGE CENTRE

View our heritage collection and work by local artists/crafts people. Visit our 1869 Heritage BNZ building, 200 Main Road, Waikouaiti. Open 1-4pm Wed – Thurs and 10am-4pm Fri – Sun.

WAIPUTAI HUB waiputai@gmail.com

Having a Birthday Party or a Gathering. Why not rent the cozy and friendly Hub at \$15 hour. Call Nancy on 021 171 0226 for further info, or email waiputai@gmail.com



CUSTOM FENCING

p: 03 465 7212, m: 021 614 100, e: nickterryfencing@xtra.co.nz

new fences, fence maintenance & repairs, stock yards

Give Nick a call with any enquiry's, advice or a free quote.

ACCREDITED
PCANZ
CONTRACTOR

Need an MP?

David Clark MP for Dunedin


If you require advocacy, information or support please contact me

Dunedin Office

dunedin@parliament.govt.nz

03 474 1973

544 Great King Street,
Dunedin

 /DavidClarkMP



Authorised by David Clark MP,
Parliament Buildings, Wellington



BLUESKIN COMMUNITY MARKET

Sunday, 3 June



PROFESSIONAL SERVICE

TOP HAT
CHIMNEY SWEEPS

DUNEDIN, OTAGO

\$85.00
Inc GST

SINGLE FLUED CHIMNEY CLEAN

- FLUE, CHIMNEY AND FIREBOX CLEANING & POLISHING
- BRICK, PROMET & HEARTH ASSESSMENT, REPAIR OR REPLACEMENT

BOOK NOW **027 3322915**
PHONE OR TXT LUKE

Local Advertisers



KEA TREEWORKS
Certified Arborists
 Tree Pruning - Removals - Chipping

For all your tree maintenance needs contact
 Kea Treeworks today!

Chris 027 484 3395 Jack 021 582 300
 keatreeemail@gmail.com
 keatreeworks.co.nz



Poppy's Homekill Butchery


Mark Popham
 Registered Homekill Service Provider

Phone 027 9072946
 03 4651430
 89 Goodwood Road, Palmerston Otago



One Earth Electrical

Local domestic electrician
 Call Andrew on 027 266 3906
 ask.one.earth@gmail.com



Freelance data wrangler

Technical reports
 Applied statistics
 Feature writing
 Shiny web apps
 R programming
 Data visualisation

www.DRNICOLADENNIS.COM
 Based in Blueskin Bay



the Gallery Licenced bar & restaurant
 Eat in or take out
 Beer garden & courtyard

Food - Music - Art

Opening hours
 Wednesday - Saturday 11am - 10 pm
 Sunday 11am - 5 pm

N.B. no evening menu on the 1st and 2nd Wed of each month due
 to quiz night or Waitati talks (supper provided, booking essential)

1 Harvey St. Waitati www.blueskingallery.co.nz 027 8586588

BLUESKIN PAINTERS
 EXTERIOR & INTERIOR HOUSE PAINTING,
 DECORATING, RESTORATION & MAINTENANCE

For a free no obligation quote or to discuss
 your painting requirements:

 **BRETT 022 1970269**
 blueskinpainters@gmail.com



BLUESKIN BAY, DUNEDIN, OTAGO





RayWhite



Loan Market

&
WORKING TOGETHER

Found your dream home? Need to sell your own?

LET US HELP YOU MAXIMISE THE VALUE OF YOUR PROPERTY & ACHIEVE YOUR GOALS FASTER.



Leanne Black Licensee Salesperson
 027 552 5502
 leanne.black@raywhite.com



Brian Greer Mortgage Adviser
 0274 710 108
 brian.greer@loanmarket.co.nz



Jacqui McFadgen Mortgage Adviser
 0274 880 494
 jacqui.mcfadgen@loanmarket.co.nz

 **BLUESKIN Nurseries & Café**

Create your own Orchard

We can help you create your own orchard & edible garden in your own backyard.
We have a fantastic selection of fruit, nuts & berries in store now. So many varieties to chose from



Open 7 days
from 8.30am

your complete
gardening destination

03-482 2828
2 Harvey Street,
Waitati 9085, Otago

blueskinnurseries.co.nz


pureSERVICES
Innovative Solutions.

CHEMICAL FREE CLEANING



PureZone technology allows us to tackle building wash jobs without the need for harsh or dangerous chemicals

0800 4 PURE 0

www.pureservices.nz

HARVEY  STREET
MERCHANT
ESTD. LOCAL 2020
PRODUCE



We have a great selection of local meats, cheeses, organic produce, fresh fruit, flowers, Pure NZ ice cream, homewares and other wonderful goodies.

Spoil yourself or a loved one.

Proudly supporting Local & NZ Made.

website : www.harveystreetmerchant.com

Hours : Thursday, Friday & Monday 10 – 6pm

Saturday & Sunday 10-5pm



BLUESKIN ELECTRICAL

SPECIALISING IN:

- ALL TYPES OF RESIDENTIAL & COMMERCIAL WORK
- RENOVATION WORK
- NEW BUILDS
- INSTALLATION & SERVICING

027 275 3977
info@blueskinelectrical.co.nz

on the spot

Blueskin General Store
(Waitati On The Spot)

Store Hours: |

Mon – Sat 7.30am – 6.30pm

Sunday 9am – 6.30pm

Ph 482 2741



Meal Deliveries | Platters |
Private Event Catering | Weddings

021 028 51872

sheena@hisandhescatering.co.nz

www.hisandhescatering.co.nz

@hisandhescatering_



Lydia Dickson
REAL ESTATE SALES & MARKETING

Your
Real Estate
Journey Starts
Here!



BAYLEYS

METRO

027 454 5213 | lydiad@bayleymetro.co.nz

NIDD
REALTY

dunedin
100% LOCALLY OWNED

With a personal love for the area and 18 years experience helping and advising Sellers, and matching Buyers to homes - I'd love to help you if you are considering a move.



2 Okahau Terrace, Warrington

FOR SALE



1450 and 1452 Coast Rd, Karitane

FOR SALE



798 Mount Cargill Road, Waitati

FOR SALE



195 Heyward Pont Road, Heyward Point

SOLD

Kirsty helped us to buy our first lifestyle property. This was a tricky purchase as there were a number of items that needed to be resolved. Kirsty provided guidance on how to resolve these issues given her experience. This helped to get the purchase across the line. We felt that Kirsty was very upfront and honest with us and is someone we trust. 5 Stars Verified by RateMyAgent



Kirsty Coulter
Property Consultant
MOBILE 027 311 4445
DIRECT 03 425 9943



Nidd Realty Limited MREINZ | 211 High Street | PO Box 401 | Dunedin 9054
Ph 03 477 4470 | Fax 03 477 2270 | Email info@nidd.co.nz

Licensed under REAA 2008
nidd.co.nz

Ashford LANDSCAPING

An experienced and well-equipped Team, Landscaping Blueskin Bay since 2004



Planting

The right plants every time

Shelter, Sustenance, Wildlife Habitats,
Shade, Bank Stabilisation, Ponds

Garden Care

Everything your garden needs

Lawns, Mowing, Hedges, Pruning,
Clearance, Mulching, Spraying



Landscaping

Expert Landscape Construction

Timber, Concrete, Rock, Paving,
Tight Space Excavation & Earth moving

Design

Solving your landscape problems

Landscape Concept & Planting Plans,
3D Plans or Simple Sketch Designs

www.ashfordlandscaping.co.nz

paul@ashfordlandscaping.co.nz

Paul: 021 069 5258



**CARGILL
CONTRACTING LTD**

📞 027 224 0311 🏠 03 482 2721
✉️ cargillcontracting@outlook.com

Water Cartage • Excavator • Gravel Supplies • Grader



- Ants - Roaches - Flies - Wasps - Spiders - Rodents -

Lady Bug Pest Control
Leanne Pennington
027 350 8808 / pestcontrolladybug@gmail.com

STOKED
PROPERTY MAINTENANCE

LAWNS
SCRUB CUTTING
WATERBLASTING
IRRIGATION
TREES

SECTIONS
LANDSCAPING
PAINTING
HEDGES
CLEARED

PHONE: MARK 02041241366



opening hours:
Fri 4 - late | Sat & Sun 12 - late

We are a small family brewery owned and operated by Jono and Emma, located in Evansdale on Blueskin Bay.

We are focused on brewing small batch crafted beers!
Live music, roaring fires, variety of foodtrucks
facebook.com/arcbrewingco | www.arcbrewingco.com

SC BUILDING

Email: samercrossbuilding@gmail.com
Phone: 0272328674

Digiart & Design LTD

DESIGN & PRINTING | GIFT SHOP | NZ POST



PLEASE NOTE
Domestic & International Postage
+ New Zealand Courier ONLY
NO BILL PAYMENTS

19 George St, Port Chalmers | www.digiart.nz

YOUR CONTRIBUTIONS

We welcome and thank you for your contributions and invite you to send your short articles of local interest, calendar events, milestones, history, historic images, poems, recipes, photos of local events, advertising; and anything else you wish to share with your community. Where possible, please try to limit articles to 250-300 words max, about half a page. Any opinions or views published in the Blueskin News are those of each contributor solely and not necessarily those of the Editor or Blueskin News Committee.

CLASSIFIED ADVERTISING

To submit your classified ads, calendar entries & article submissions for publication please send your text and any photos to: blueskin.input@gmail.com by the 15th of each month

AD SIZES PAGE LAYOUT COST

A4 = 210 x 297 Full page advertisement \$300
A5 = 210 x 148 Half page advertisement \$150
A6 = 148 x 105 Quarter page advertisement \$75
A7 = 105 x 74 Business Card size \$30
Classified Ad \$5 (Free for under 18 or non-profit)

CONTACT US

Editor Bernie Cornford
Email blueskin.input@gmail.com
To subscribe to digital version
blueskin.subscribe@gmail.com
Online version www.blueskinnews.org

All donations gratefully received.
Bank a/c 03 1726 0010157 00
Please include a reference to indicate that it is a donation and a name, if you want a receipt.

'Blueskin News' published by Blueskin Media: voluntary/non-profit community publishers in Blueskin Bay (Seacliff, Warrington, Evansdale, Waitati, Doctors Point, Purakaunui), Dunedin, New Zealand. All material sent to or published by us is "copyleft" in the public domain and may be freely shared, archived, re-edited and republished. If you want to credit the source it's "blueskin news".

Printed by Digiart Design Limited