



Madison Solar Lamp Post & Planter Instruction Manual



Model No. 302013, 312013

Read the instructions and precautions before use of this product

Please keep this instruction manual for future reference

For warranty information, please refer to the back page of
this instruction manual.

Limited Warranty

World Factory Inc. Products for Home Use

J & J Global LLC. (Seller) warrants to the original Buyer only, that this Sun Ray Product will be free from defects in material and workmanship for a period of one (1) year from date of purchase. SELLER'S SOLE OBLIGATION AND BUYER'S EXCLUSIVE REMEDY UNDER THIS LIMITED WARRANTY SHALL BE THE REPAIR OR REPLACEMENT OF PARTS, WITHOUT CHARGE, WHICH ARE DEFECTIVE IN MATERIAL OR WORKMANSHIP. ANY PARTS AS DETERMINED BY THE SELLER WHICH HAVE BEEN MISUSED; ABUSED OR DAMAGED EITHER DIRECTLY OR INDIRECTLY FROM REPAIRS OR ALTERATIONS ATTEMPTED BY UNAUTHORIZED PERSONS; IMPROPER MAINTENANCE, NEGLIGENCE OR ACCIDENT ARE NOT COVERED BY THIS LIMITED WARRANTY. This warranty does not apply to damage, heat-induced coloration changes, scratching or alteration due to normal use or weathering. To make a claim under this Limited Warranty, you must return the complete product with proof of purchase, transportation prepaid, to any J & J Global LLC. authorized service center. Call 1-888-422-7800 Or visit: ezreplacement.com for the location of the nearest authorized service center.

Additional Limitations

THIS LIMITED WARRANTY DOES NOT APPLY TO ACCESSORY OR CONSUMABLE ITEMS, INCLUDING BATTERIES, RELATED TO THIS PRODUCT. ALL IMPLIED WARRANTIES SHALL BE LIMITED IN DURATION TO TWO YEAR FROM DATE OF PURCHASE. IN NO EVENT SHALL SELLER BE LIABLE FOR ANY INCIDENTAL OR CONSEQUENTIAL DAMAGES, INCLUDING BUT NOT LIMITED TO LIABILITY FOR LOSS OF PROFITS, ARISING FROM THE SALE OR USE OF THIS PRODUCT.

If any provision of this Limited Warranty is for any reason held to be invalid or unenforceable, such provision shall not affect any other provision herein, this Limited Warranty shall be construed as if such invalid and/or unenforceable provision had never been contained herein.

This warranty gives you special legal rights, and you may also have other rights which vary from state to state.

This Warranty contains the entire agreement between Seller and Buyer and supersedes any and all prior agreements, arrangements, or understandings between the parties relating to product warranty.

Due to ongoing product development
the actual product or products may vary from
the illustrations or photos shown within this manual.

For Manuals, Replacement Parts or Customer Service visit:
www.ezreplacement.com

NOTE: This product is intended for residential, non-commercial use.

WARNING

This product can expose you to lead, a chemical known to the state of California to cause cancer, birth defects and/or other reproductive harm.

For more information go to www.p65warnings.ca.gov/product

Made in China

©2018 J & J Global LLC.

Distributed by:

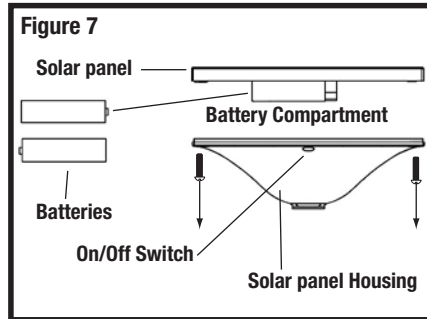
J & J Global LLC.

Carrollton, TX 75006

Battery Replacement

NOTE: The batteries in your solar lantern come preinstalled from the factory.

1. (SEE FIGURE 7) Remove the screws from the underside of the solar panel housing. Solar panel housing is located on the top of the lantern assembly.
2. Carefully lift the solar panel off the housing. Circuit wires are attached to the solar panel, be careful not to disconnect the wires. Batteries compartment is located under the solar panel.
3. Remove old batteries.
4. Replace old batteries with new ones of the same rating. Reference polarity direction inside battery compartment.
5. Replace the solar panel on the housing and secure with screws retained from step 1.
6. The rechargeable batteries need to be fully charged before operating light assembly. See "Operating Solar Light" to restore solar light assembly to full operation.



OPERATING SOLAR LIGHT

Instructions For First Time Use

Allow lantern to charge for at least 8 hours in full sunlight with the ON/OFF switch in the OFF position. The ON/OFF switch is located under the solar panel (See Figure 7, page 5). Once the batteries are fully charged, set the ON/OFF switch to ON. If the lantern doesn't turn on after initial charging, ensure batteries are making contact with the terminals.

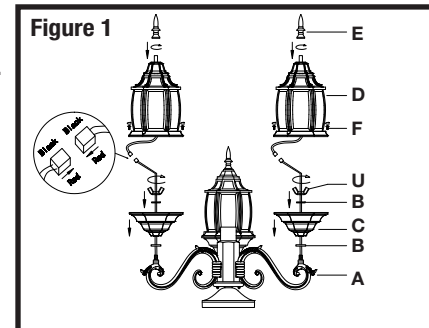
Where To Place the Solar Light

Place the solar light in an area where it will receive direct sunlight for at least 8 hours per day. The number of hours light is illuminated is directly proportional to the number of hours of sunlight it receives. If the light is placed in a shaded area, it will not be able to fully charge and its burn time will be limited. Do not place the light near other outdoor lighting like porch or streetlights. These may fool the sensor and keep the light from coming on, or cause it to turn off automatically.

ASSEMBLY INSTRUCTIONS

Lantern Assembly

1. (SEE FIGURE 1) Thread Bottom Finials (E) onto lantern bodies (D) and turn clockwise to tighten.
2. Insert the LED circuit wire of the lantern assembly (A) through the center of the lock spring (B) and lantern top (C). Thread the butterfly nut (U) to the lantern assembly (A) and secure the top by turning clockwise to tighten.
3. Connect the LED circuit wires (input wires) found on the top of the lantern body (D) to the LED circuit wires (output wires) found on the bottom of the lantern top covers of the lantern assembly (A).
4. Attach the lantern body (D) to the lantern top cover on the lantern assembly (A) and using small screws (F) two places.
5. Repeat with the other 2 lantern bodies (D).

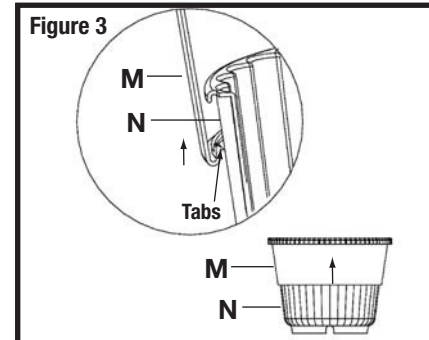
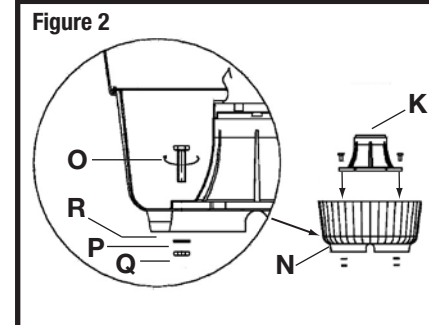


Planter Base Assembly

Note: If using ground mounting instead of planter base mounting refer to "Ground Mounting" on page 3.

1. (SEE FIGURE 2) Attach lamp post base (K) to bottom planter base (N) using hex bolts (O), mounting plate (R), Flat washer (P), and hex nut (Q). Make sure the mounting plate, flat washer and hex nut are secured to the hex bolt on the underside of the bottom of planter base (N).
2. (SEE FIGURE 3) Attach the top planter base (M) to the bottom planter base (N) by lining up the 4 tabs and pulling the top planter base up until tabs snap into place. Turn the top planter base clockwise to lock the tabs into place.

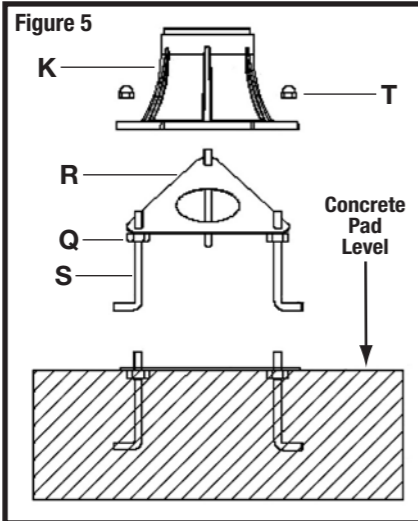
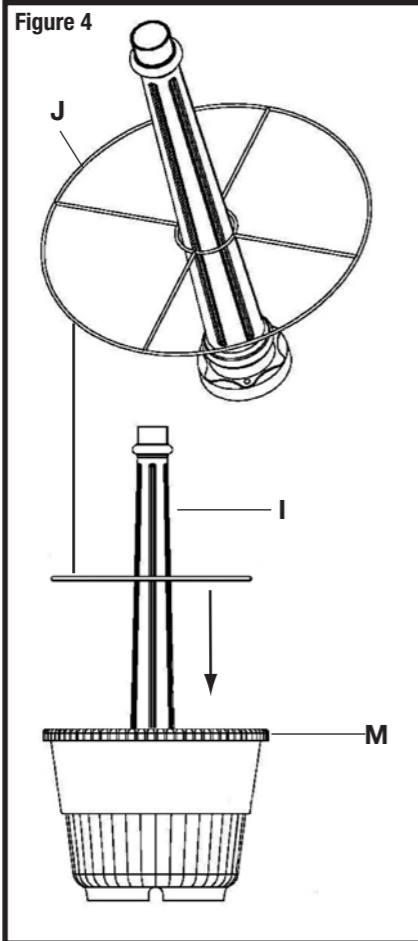
Note: It may be necessary to put pressure on the bottom planter base when pulling the top planter base up.



Support Ring Assembly

1. (SEE FIGURE 4) Place the support ring (J) onto the top of the lower lamp post (I). Attach lower lamp post (I) to lamp post base (K) using 1 in. screw (L) in 3 places. Lower the support ring down the post until it rests on the top of the top planter base (M). To complete the solar lamp post with planter go to "Lamp Post Assembly" steps 2, 3 and 4 on page 4.

CAUTION: To prevent product damage or personal injury from tip-over, lamp post planter base must be placed on a flat, level surface and be filled with 4 in. (minimum of 50 lbs.) of gravel or stone.



Alternate Ground Mounting

1. (SEE FIGURE 5) Thread hex nut (Q) onto the J-bolt (S). Make sure the hex nut is threaded down the j-bolt far enough for the top of the J-bolt to fit through the mounting plate (R) and the lamp post base (K) with enough threads to secure the base to the j-bolts with acorn nuts (T). Repeat the step for other j-bolts.
2. Using the mounting plate (R) as a guide insert the J-bolts with hex nuts into a wet concrete pad until the hex nuts are below pad level.
3. Place the mounting plate (R) onto the J-bolts forming a mounting bracket.
4. Align the lamp post base (K) holes with the J-bolts and secure with the acorn nuts (T).
Note: Refer to "Lamp Post Assembly" on page 3.

Lamp Post Assembly

1. (SEE FIGURE 6) Attach lower lamp post (I) to lamp post base (K) using 1 in. screw (L) in 3 places.
2. Place the completed lantern assembly (A) on the upper lamp post (G) and twist clockwise to secure.
3. Place the middle lamp post (H) onto the lower lamp post (I) and twist clockwise to secure.
4. Place the upper lamp post (G) onto the middle lamp post (H) and twist clockwise to secure.

Note: If using the planter base to mount the lamp post refer to Figure 4 before proceeding to the next step for lamp post assembly.

