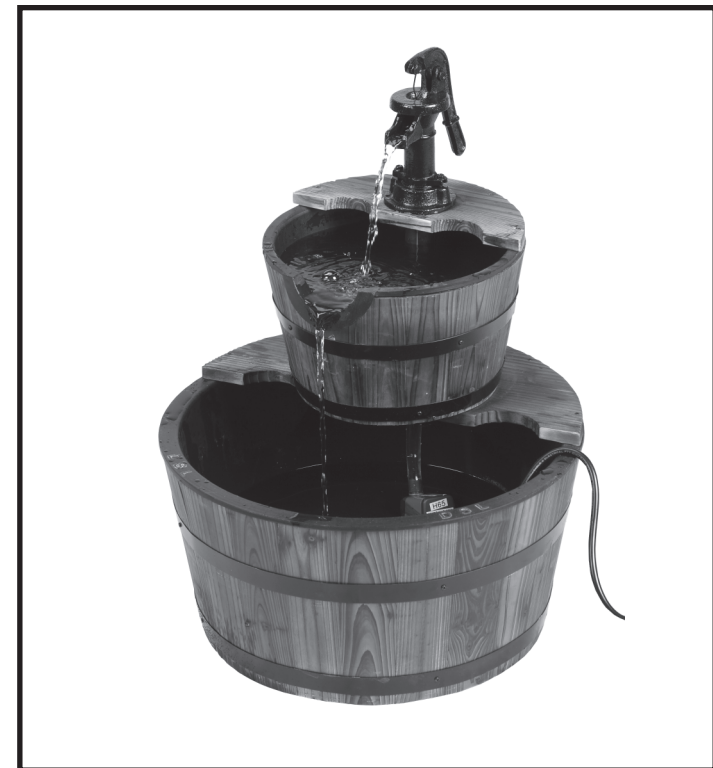




Two Tiered Country Fountain Instruction Manual



Model No. 402001

Limited Warranty

J&J Global, LLC Products for Home Use

J & J Global, LLC (Seller) warrants to the original Buyer only, that each product will be free from defects in material and workmanship for a period of one (1) year from date of purchase. SELLER'S SOLE OBLIGATION AND BUYER'S EXCLUSIVE REMEDY UNDER THIS LIMITED WARRANTY SHALL BE THE REPAIR OR REPLACEMENT OF PARTS, WITHOUT CHARGE, WHICH ARE DEFECTIVE IN MATERIAL OR WORKMANSHIP. ANY PARTS AS DETERMINED BY THE SELLER WHICH HAVE BEEN MISUSED; ABUSED OR DAMAGED EITHER DIRECTLY OR INDIRECTLY FROM REPAIRS OR ALTERATIONS ATTEMPTED BY UNAUTHORIZED PERSON; IMPROPER MAINTENANCE, NEGLIGENCE OR ACCIDENT ARE NOT COVERED BY THIS LIMITED WARRANTY. This warranty does not apply to damage, heat-induced coloration changes, scratching or alteration due to normal use or weathering. To make a claim under this Limited Warranty, email contact@ezreplacement.com or visit www.ezreplacement.com for warranty questions and claims.

Additional Limitations

THIS LIMITED WARRANTY DOES NOT APPLY TO ACCESSORY OR CONSUMABLE ITEMS RELATED TO THIS PRODUCT. ALL IMPLIED WARRANTIES SHALL BE LIMITED IN DURATION TO ONE (1) YEAR FROM DATE OF PURCHASE. IN NO EVENT SHALL SELLER BE LIABLE FOR ANY INCIDENTAL OR CONSEQUENTIAL DAMAGES, INCLUDING BUT NOT LIMITED TO LIABILITY FOR LOSS OF PROFITS, ARISING FROM THE SALE OR USE OF THIS PRODUCT.

If any provision of this Limited Warranty is for any reason held to be invalid or unenforceable, such provision shall not affect any other provision herein, this Limited Warranty shall be construed as if such invalid and/or unenforceable provision had never been contained herein.

This warranty gives you special legal rights, and you may also have other rights which vary from state to state.

This warranty contains the entire agreement between Seller and Buyer and supercedes any and all prior agreements, arrangements, or understandings between the parties relating to product warranty.

Due to ongoing product development
the actual product or products may vary from
the illustrations or photos shown within this manual.

For Manuals, Replacement Parts or Customer Service visit:
www.ezreplacement.com



This product is intended for residential, non-commercial use.

⚠ WARNING

This product can expose you to lead, a chemical known to the state of California to cause cancer, birth defects and/or other reproductive harm.
For more information go to www.p65warnings.ca.gov/product

MADE IN CHINA
©2019 J & J Global, LLC
Distributed By:
J & J Global, LLC
Carrollton, TX 75006

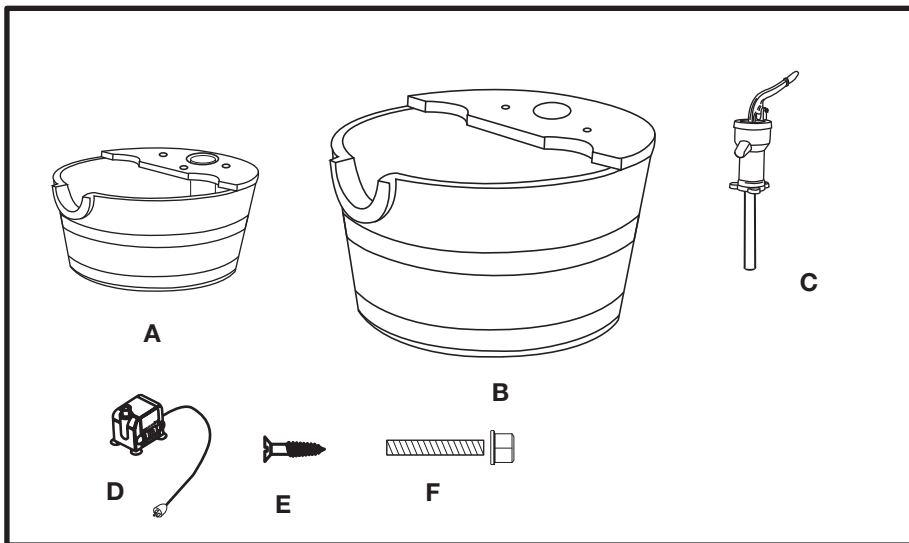
Read the instructions and precautions before use of this product

Please keep this instruction manual for future reference

For warranty information, please refer to the back page of
this instruction manual.

PARTS & HARDWARE LIST

PART #	DESCRIPTION	QUANTITY
A	Small Washtub	1
B	Large Washtub	1
C	Hand Pump with Pipe	1
D	Pump	1
E	Screw 3.5x20mm	3
F	Bolt 6x40mm	2



Carefully remove the contents from the package. If any parts are missing do not attempt to use the product until they have been obtained and correctly installed.

ELECTRICAL SAFETY INSTRUCTIONS

⚠ WARNING! ELECTRICAL SHOCK. Read and understand all instructions. Failure to follow all instructions listed below, may result in electrical shock, fire and/or serious personal injury.

SAVE THESE INSTRUCTIONS.

Grounding Instructions

This fountain must be plugged into a 3-wire, 3-prong outlet that is properly working and has been installed and grounded in accordance with all local, state or federal codes and ordinances.

⚠ DANGER: IMPROPER INSTALLATION OF THE GROUNDING PLUG CAN RESULT IN A RISK OF ELECTRICAL SHOCK. Check with a qualified electrician or serviceman if the grounding instructions are not completely understood, or if doubt as to whether the product is properly grounded. Do not modify the plug provided; if it will not fit the outlet, have a proper outlet installed by a qualified electrician. Do not use any type of adapter with this product.

ASSEMBLY INSTRUCTIONS

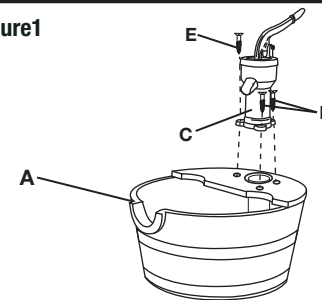
⚠ CAUTION: Do not over tighten fasteners.

Attach Hand Pump Assembly

- (SEE FIGURE 1) Face water faucet on hand pump (C) towards tub opening and attach hand pump to top of tub (A). Secure using screws (E).

NOTE: Do not plug in pump before filling tub with water. Running the pump without water may damage pump.

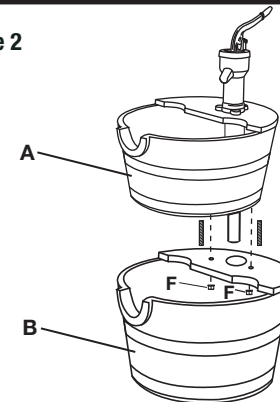
Figure 1



Mount Small Wash Tub

- (SEE FIGURE 2) Position small tub (A) over large tub (B). Align mounting studs with previously drilled holes at top of tub (B).
- Install mounting studs through holes. Secure tub (A) to tub (B) using bolts (F).

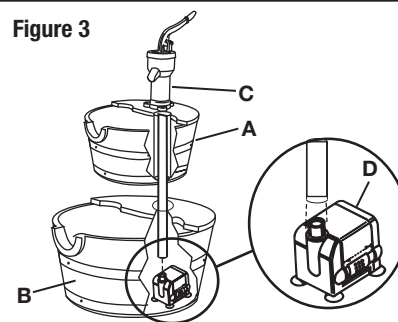
Figure 2



Install Hand Pump Assembly

- (SEE FIGURE 3) Place Hand Pump with Pipe (C) through top washtub (A) and then down through bottom washtub (B).
- Align Hand Pump with Pipe (C) over extension tube at top of pump (D). Push down on Hand Pump with Pipe (C) until fully seated.
- Plug power cord into properly grounded 120V AC outlet.
- (SEE FIGURE 4) Ready for use it.

Figure 3



Adjust Speed of Water Flow

- Unplug pump (D) from AC power outlet.
- Move adjustment switch on pump (D) toward "+" positive to increase water flow, or "-" to decrease water flow.

Maintenance

- Check water level periodically, add water if necessary.
- If water is not flowing, check pump (D), hand pump with Pipe (C) inside for clogs.

NOTE: Pump may build up calcium after a long period of time and stop running when tap water is used. Any calcium remover can be used to clean pump.

Figure 4

