

Limited Warranty

J & J Global, LLC (Seller) warrants to the original Buyer only, that each product will be free from defects in material and workmanship for a period of one (1) year from date of purchase. SELLER'S SOLE OBLIGATION AND BUYER'S EXCLUSIVE REMEDY UNDER THIS LIMITED WARRANTY SHALL BE THE REPAIR OR REPLACEMENT OF PARTS, WITHOUT CHARGE, WHICH ARE DEFECTIVE IN MATERIAL OR WORKMANSHIP. ANY PARTS AS DETERMINED BY THE SELLER WHICH HAVE BEEN MISUSED; ABUSED OR DAMAGED EITHER DIRECTLY OR INDIRECTLY FROM REPAIRS OR ALTERATIONS ATTEMPTED BY UNAUTHORIZED PERSON; IMPROPER MAINTENANCE, NEGLIGENCE OR ACCIDENT ARE NOT COVERED BY THIS LIMITED WARRANTY. This warranty does not apply to damage, heat-induced coloration changes, scratching or alteration due to normal use or weathering. To make a claim under this Limited Warranty, email contact@ezreplacement.com or visit www.ezreplacement.com for warranty questions and claims.

Additional Limitations

THIS LIMITED WARRANTY DOES NOT APPLY TO ACCESSORY OR CONSUMABLE ITEMS RELATED TO THIS PRODUCT. ALL IMPLIED WARRANTIES SHALL BE LIMITED IN DURATION TO ONE (1) YEAR FROM DATE OF PURCHASE. IN NO EVENT SHALL SELLER BE LIABLE FOR ANY INCIDENTAL OR CONSEQUENTIAL DAMAGES, INCLUDING BUT NOT LIMITED TO LIABILITY FOR LOSS OF PROFITS, ARISING FROM THE SALE OR USE OF THIS PRODUCT.

If any provision of this Limited Warranty is for any reason held to be invalid or unenforceable, such provision shall not affect any other provision herein, this Limited Warranty shall be construed as if such invalid and/or unenforceable provision had never been contained herein.

This warranty gives you special legal rights, and you may also have other rights which vary from state to state.

This warranty contains the entire agreement between Seller and Buyer and supercedes any and all prior agreements, arrangements, or understandings between the parties relating to product warranty.

Due to ongoing product development the actual product or products may vary from the illustrations or photos shown within this manual.

For Manuals, Replacement Parts or Customer Service visit:
www.ezreplacement.com

This product is intended for residential, non-commercial use.

⚠ WARNING

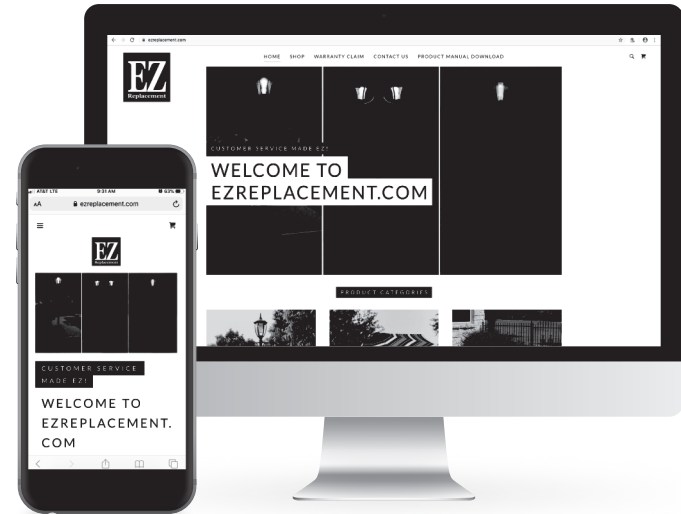
This product can expose you to lead, a chemical known to the state of California to cause cancer, birth defects and/or other reproductive harm. For more information go to www.p65warnings.ca.gov/product

MADE IN CHINA
©2020 J & J Global, LLC
Distributed By:
J & J Global, LLC
Irving, TX 75038

EZ
Replacement

www.EZreplacement.com

Customer Service Made EZ!



- User Friendly Interface
- Download Product Manuals
- Email your questions or concerns
- File Warranty Claim
- Follow-up within 24 Hrs
- Parts Ship within 48 Hrs.



Parts distribution made from our Carrollton, TX warehouse facility

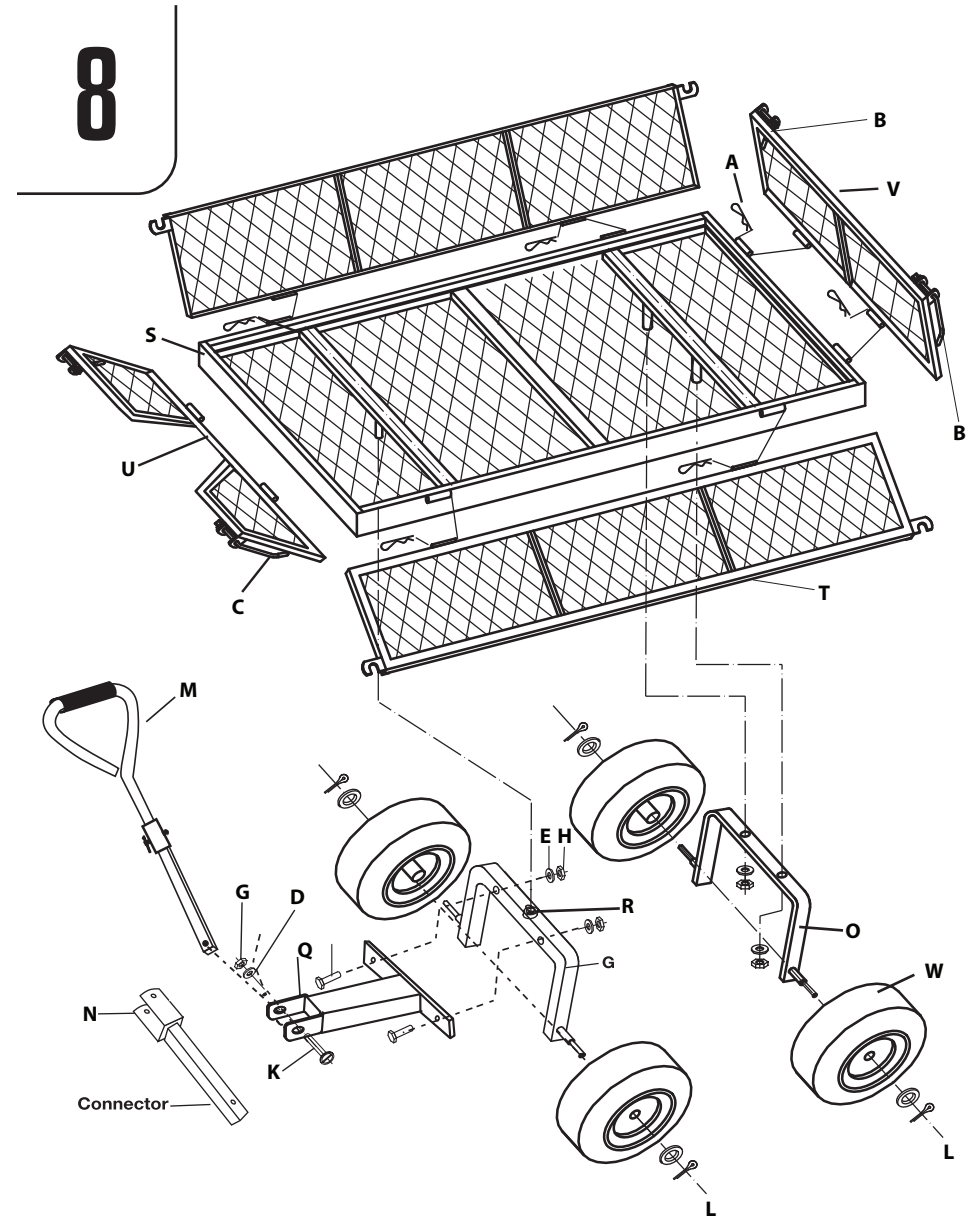
ATTENTION!

Please do not return this product to the retailer.
If you are missing or have damaged parts please email
contact@ezreplacement.com Or Call 877-477-2264



Steel Garden Utility Cart

Sku: 405017R



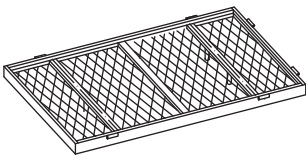
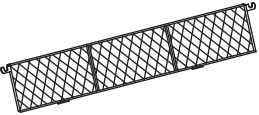
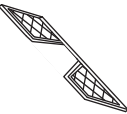
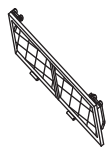

Read the instructions and precautions before use of this product

Please keep this instruction manual for future reference













For warranty information, please refer to the back page of this instruction manual.

Mount the (4) side panels (T, U, V) to the bed with the (8) Quick Release Pins (A). Lock the four side panels (T, U, V) in place with the left and right side locking handles (B, C)."

Package Contents

| | | | |
|----------------|---|----------------|--|
| S x1 | Expanded Steel Bed  | T x2 | Expanded Steel Side  |
| U x1 | Expanded Steel Front  | V x1 | Expanded Steel Back  |
| W x4 | Pre-Assembled Wheels  | | |

Assembly Hardware Parts List

| | | | | | | | |
|----------------|--|----------------|--|----------------|---|----------------|--|
| A x8 | Quick Release Pin  | B x2 | Left Locking Handle (Pre-Installed)  | C x2 | Right Locking Handle (Pre-Installed)  | D x1 | 8mm Flat Washer  |
| E x4 | 12mm Flat Washer  | F x5 | 16mm Thick Washer  | G x1 | 8mm Nut  | H x4 | 12mm Nut  |
| I x1 | 16mm Nut  | J x2 | M12x85mm Hex Bolt  | K x1 | M8x65mm Hex Bolt  | L x4 | Cotter Pin  |

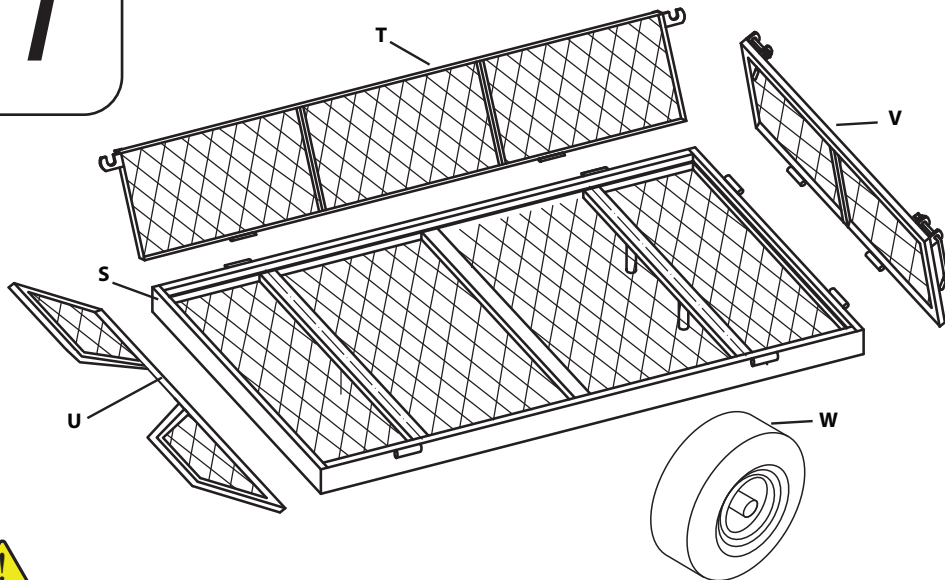
Carefully remove the contents from the package. If any parts are missing do not attempt to use the product until they have been obtained and properly installed.

Read, understand and follow ALL instructions before using this product.



1. DO NOT over inflate the pneumatic tires. Recommended pressure is 30 lbs. PSI. **WARNING!** Over inflation of tires can result in serious injury. Do not exceed 30 lbs. PSI tire pressure.
2. DO NOT exceed the maximum load capacity of 1000 lbs.
3. DO NOT stand or ride on the utility cart.
4. DO NOT leave this cart unattended where children have access to it.
5. Keep the load centered on the bed. This will reduce the risk of the cart tipping over.
6. Be extremely cautious when using the utility cart on rough terrain and/or a steep incline. If the utility cart tips over, serious bodily injury may occur.
7. Regularly inspect the utility cart to ensure all bolts are in place and securely tightened.

7



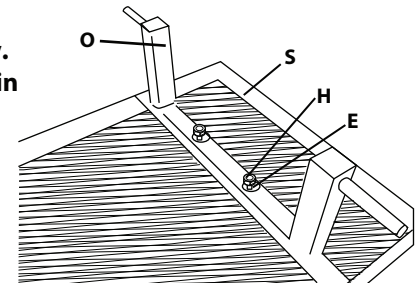
WARNING:
Be extremely cautious when using the utility cart on rough terrain and/or a steep incline. If the utility cart tips over it could cause serious bodily injury.

1

See figures for view of how all the pieces come together in assembly. Follow the assembly steps below in sequence for best results.

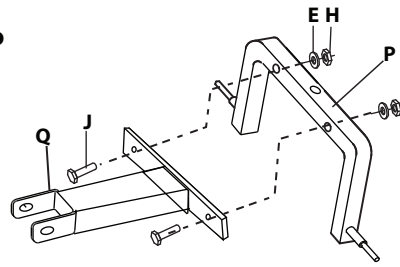
Turn the expanded steel bed (S) upside down on a non-scratching surface.

Attach the rear axle support assembly (O) to the bed (S) with flat washers (E) and locking hex nuts (H).



2

Attach the front axle support (P) to the steering yoke (Q) with two M12x85mm hex bolts (J), flat washer (E), and locking hex nuts (H).



Support Assembly Parts List

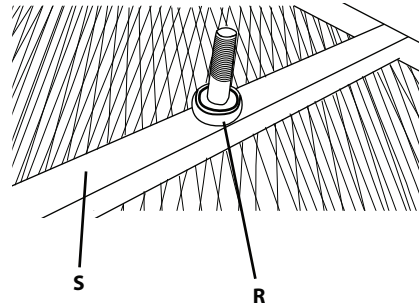
| M | Steering Bar | N | Connector | O | Rear Axle Support | P | Front Axle Support |
|----|---------------|----|-----------|----|-------------------|----|--------------------|
| x1 | | x1 | | x1 | | x1 | |
| Q | Steering Yoke | R | Bearing | | | | |
| x1 | | x1 | | | | | |

Note:

Handle of "M" is interchangeable with tow hitch "N". To change handle to tow hitch, pull the coter pin in the locking pin located on the connector of "M". Remove the locking pin and pull handle of the steering bar. Slide the square connector "N" into the square connector of the steering bar. Replace the locking pin and secure with cotter pin.

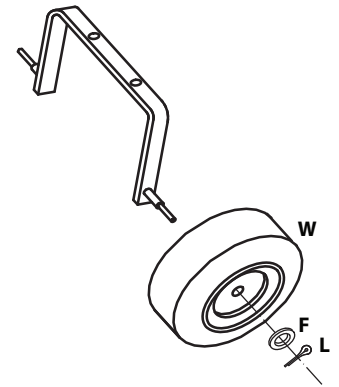
3

Attach the bearing (R) to the bed (S).



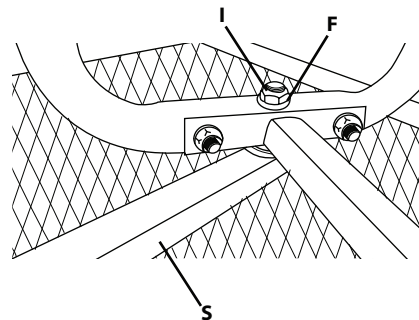
5

Place a wheel (W) onto each axle with the valve stem facing out. Place the 16mm thick flat washer (F) onto each axle. Insert the cotter pin (L) into the hole of each axle. Bend one side of the cotter pin to secure the wheel (W) to axle.



4

Attach the front axle support assembly to the bed (S) with flat washers (F), and locking hex nuts (I).



6

Turn the utility cart upright. Align the steering bar (M) to the steering yoke (Q) with the M8x65mm bolt (K), flat washer (D) and locking hex nut (G). Tighten securely. Check to be sure the cotter pin is in the locking pin of the connector securely before using.

