



Limited Warranty

J & J Global, LLC (Seller) warrants to the original Buyer only, that each product will be free from defects in material and workmanship for a period of one (1) year from date of purchase. SELLER'S SOLE OBLIGATION AND BUYER'S EXCLUSIVE REMEDY UNDER THIS LIMITED WARRANTY SHALL BE THE REPAIR OR REPLACEMENT OF PARTS, WITHOUT CHARGE, WHICH ARE DEFECTIVE IN MATERIAL OR WORKMANSHIP. ANY PARTS AS DETERMINED BY THE SELLER WHICH HAVE BEEN MISUSED; ABUSED OR DAMAGED EITHER DIRECTLY OR INDIRECTLY FROM REPAIRS OR ALTERATIONS ATTEMPTED BY UNAUTHORIZED PERSON; IMPROPER MAINTENANCE, NEGLIGENCE OR ACCIDENT ARE NOT COVERED BY THIS LIMITED WARRANTY. This warranty does not apply to damage, heat-induced coloration changes, scratching or alteration due to normal use or weathering. To make a claim under this Limited Warranty, email contact@ezreplacement.com or visit www.ezreplacment.com for warranty questions and claims.

Additional Limitations

THIS LIMITED WARRANTY DOES NOT APPLY TO ACCESSORY OR CONSUMABLE ITEMS RELATED TO THIS PRODUCT. ALL IMPLIED WARRANTIES SHALL BE LIMITED IN DURATION TO ONE (1) YEAR FROM DATE OF PURCHASE. IN NO EVENT SHALL SELLER BE LIABLE FOR ANY INCIDENTAL OR CONSEQUENTIAL DAMAGES, INCLUDING BUT NOT LIMITED TO LIABILITY FOR LOSS OF PROFITS, ARISING FROM THE SALE OR USE OF THIS PRODUCT.

If any provision of this Limited Warranty is for any reason held to be invalid or unenforceable, such provision shall not affect any other provision herein, this Limited Warranty shall be construed as if such invalid and/or unenforceable provision had never been contained herein.

This warranty gives you special legal rights, and you may also have other rights which vary from state to state.

This warranty contains the entire agreement between Seller and Buyer and supercedes any and all prior agreements, arrangements, or understandings between the parties relating to product warranty.

Due to ongoing product development
the actual product or products may vary from
the illustrations or photos shown within this manual.

For Manuals, Replacement Parts or Customer Service visit:
www.ezreplacement.com



NOTE: This product is intended for residential, non-commercial use.

WARNING

This product can expose you to lead, a chemical known to the state of California to cause cancer, birth defects and/or other reproductive harm. For more information go to www.p65warnings.ca.gov/product

MADE IN CHINA
©2019 J & J Global, LLC
Distributed By:
J & J Global, LLC
Carrollton, TX 75006

9' Round Solar Lighted Umbrella - Steel - 8 Rib Instruction Manual



Model No. 801001, 801002, 801003, 801004, 801005, 801006

Read the instructions and precautions before use of this product

For warranty information, please refer to the back page.

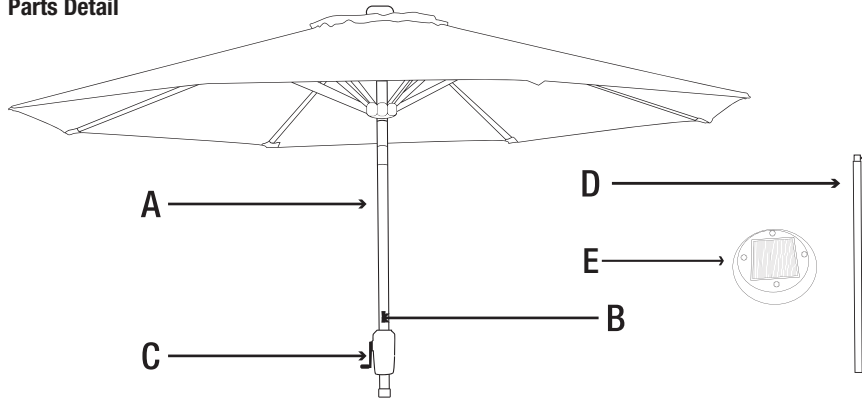
Do Not Return This Product to Retailer Visit Ezreplacement.com or Contact 903.851.1498

- | | | |
|--|--|-----------------------------|
| <input type="radio"/> Defective | <input type="radio"/> Did Not Like Product | <input type="radio"/> Other |
| <input type="radio"/> Not as Described | <input type="radio"/> Incorrect Color | _____ |

PARTS LIST

PART #	DESCRIPTION	QUANTITY
A	Top Pole With Umbrella	1
B	On/Off Button	1
C	Crank	1
D	Bottom Pole	1
E	Solar Panel	

Parts Detail



Carefully remove the contents from the package. If any parts are missing do not attempt to use the product until they have been obtained and correctly installed.

General Safety

- Never leave children unsupervised with the packaging material. There is a risk of suffocation.
- Improper use of this item may result in physical harm.
- Ensure that the article is properly stable before use.
- Examine the item for damage or wear before each use.
- Close and store the umbrella when not in use.
- Always securely fasten the umbrella into an umbrella base.
- DO NOT use the product in windy conditions. Excessive wind can cause damage to the product or danger to people.
- The light source of this luminaire is not replaceable. When the light source reaches its end of life the whole luminaire shall be replaced.
- The battery must be removed from the appliance before its scrapped.
- The battery is to be disposed of safely.

Intended Uses

The product is designed for private use as an addition to any outdoor living area. It is not suitable for commercial use.



Recycling

Please dispose of batteries properly. Consult you local telephone listings or a battery recycling center in your area.



Ambient temperature maximal 40C (105F)



Do not throw Ni-Cd batteries into water!



Do not dispose of Ni-Cd batteries in household waste



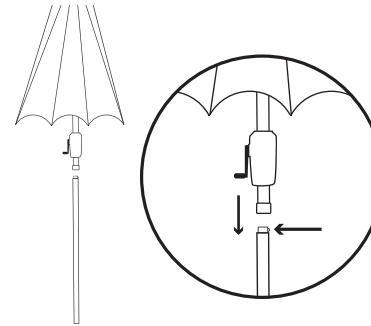
Protect Ni-Cd batteries against heat and fire risk of explosion

ASSEMBLY INSTRUCTIONS

Assembly Instructions

Step 1:

Secure the top pole (A) to the bottom pole (D)

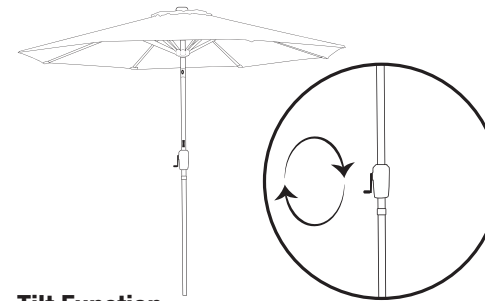


Note:

The umbrella ribs may compress during shipping. Before opening the umbrella turn it upside down and shake it gently to separate ribs.

Step 2:

Slowly turn the crank (C) clockwise taking up the slack of the cord.



Note:

If you continue to turn the crank counter-clockwise after the umbrella is closed, the umbrella will start to open again. It is possible to open the umbrella by turning the crank in a counter-clockwise direction. However, the umbrella will not stay open when the crank is turned in a counter-clockwise direction. The locking mechanism that keeps the umbrella open only works when the crank is turned in a clockwise direction.

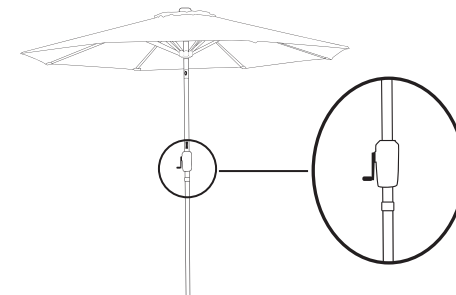
Tilt Function

Press the button as shown to tilt the umbrella to the perfect position.



LED Lights

To Turn on LED lights, with the ON/OFF button located on the top pole to the ON position.



Note:

The LED Lights do not turn off automatically. Always turn off the lights when not in use.