



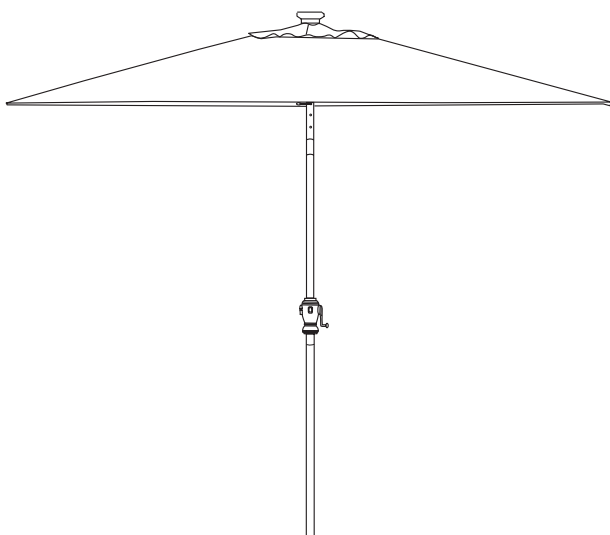
801025

801027

## USE AND CARE GUIDE

---

### 9 FT X 7 FT SOLAR LIGHTED UMBRELLA



For Manuals, Replacement Parts or Customer Service visit:  
[www.ezreplacement.com](http://www.ezreplacement.com)

---

#### *THANK YOU*

We appreciate the trust and confidence you have placed in SunRay through the purchase of this solar lighted umbrella. We strive to continually create quality products designed to enhance your home. Visit us online at [edenbranch.com](http://edenbranch.com) to see our full line of products available for your home improvement needs. Thank you for choosing SunRay!


# Table of Contents


Table of Contents .....	2
Safety Information .....	2
Warranty .....	2
What is covered .....	2
What is not covered .....	2


Pre-Installation .....	3
Planning Installation .....	3
Assembly .....	4
Operation .....	4
Maintenance .....	6
Care and Cleaning .....	7


## Safety Information

- Always put the umbrella in the down position when not in use.
- Securely fasten the umbrella to an appropriately size umbrella base. Do not install into the ground.
- This seasonal use product is not intended for permanent installation or use.

 **DANGER:** Do not use near open flame or other heat sources.

 **CAUTION:** Do not use the umbrella in windy conditions. Store the closed umbrella indoors

 **CAUTION:** Do not attempt to alter the wiring or operate the umbrella without all LEDs in place

 **CAUTION:** Do not use this product for other than its intended purpose.

## BATTERY RECYCLING

Please dispose of used batteries properly. Consult your local telephone listings for a battery recycling center near your area.



Do not dispose batteries in household waste



Do not throw batteries into water



Protect batteries against heat and fire due to risk of explosion



Recycling

## Warranty

### LIMITED WARRANTY

#### WHAT IS COVERED

The manufacturer warrants to the original buyer only, that this product will be free from defects in material and workmanship for a period of one (1) year from date of purchase. The manufacturer's sole obligation and the buyer's exclusive remedy under this limited warranty shall be the repair or replacement of parts, without charge, which are defective in material or workmanship. Any parts as determined by the manufacturer which have been misused; abused or damaged either directly or indirectly from repairs or alterations attempted by unauthorized persons; improper maintenance, neglect or accident are not covered by this limited warranty. This warranty does not apply to damage, heat-induced coloration changes, scratching or alteration due to normal use or weathering. To make a claim under this Limited Warranty, you must return the complete product with proof of purchase, transportation prepaid, to any authorized service center. Contact the Customer Service Team [www.ezreplacement.com](http://www.ezreplacement.com).

#### WHAT IS NOT COVERED

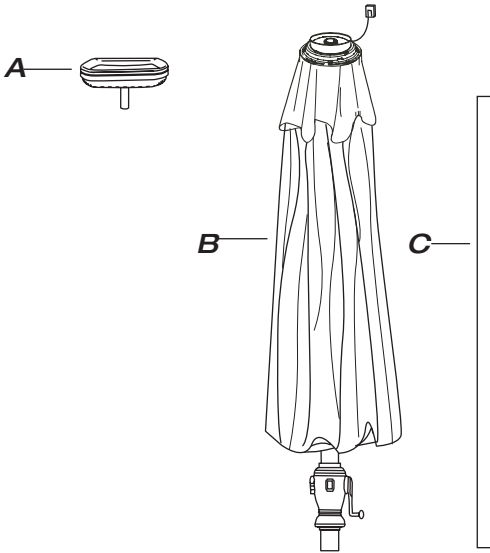
This limited warranty does not apply to accessory or consumable items including batteries related to this product. All implied warranties shall be limited in duration to one year from date of purchase. In no event shall the manufacturer be liable for any incidental or consequential damage, including but not limited to liability for loss of profits, arising from the sale or use of this product. If any provision of this Limited Warranty is for any reason held to be invalid or unenforceable, such provision shall not affect any other provision herein, this Limited Warranty shall be construed as if such invalid and/or unenforceable provision had never been contained herein.

# Pre-Installation

## PLANNING INSTALLATION

Carefully remove the contents from the package. If any parts are missing do not attempt to use the product until they have been obtained and correctly installed. If you have any problems or questions concerning this product, do not return to your retailer. Contact the Customer Service Team at [ezreplacement.com](http://ezreplacement.com)

## PACKAGE CONTENTS

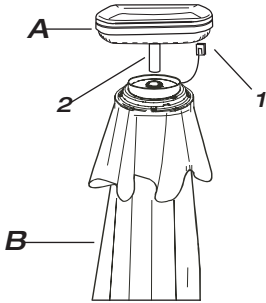


Part	Description	Quantity
A	Solar panel/battery compartment	1
B	Solar umbrella assembly	1
C	Umbrella Pole	1

# Assembly

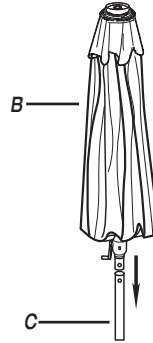
## 1 Attaching the solar panel

- Position the solar panel (A) on top of the umbrella (B).
- Insert the connector plug (1) attached to the umbrella into the receptacle located on the back of the solar panel (A).
- Insert the solar panel stem (2) into the top of the umbrella. Turn the solar panel (A) clockwise to lock and secure.



## 2 Attaching the umbrella to the umbrella pole

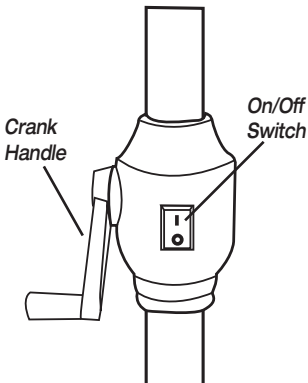
- (See Figure 2) Align hole at end of umbrella (B) with push button at top of lower umbrella pole (C).
- Depress push button and insert umbrella into lower umbrella pole until push button locks.
- Place umbrella upright in a heavy weighted stand (not included), and table capable of firmly securing the umbrella.



# Operation

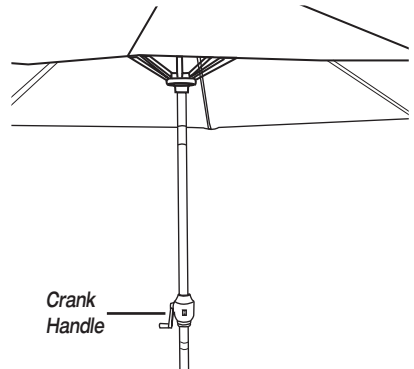
## 1 Turning on the solar lights

- Once the batteries are fully charged, place the power switch to the ON "I" position.
- Refer to the section entitled "Charging the batteries".  
*Notice: Set the switch to the off "O" position when solar*



## 2 Adjusting the umbrella up or down

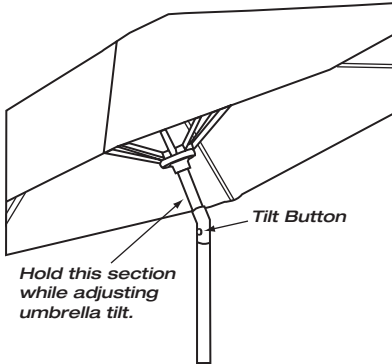
- Using the crank handle, raise umbrella to desired height. Turn crank handle clockwise to open the umbrella.



## Operation (continued)

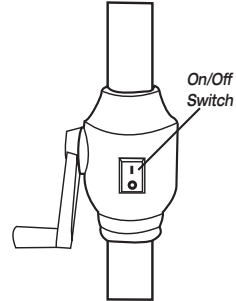
### 3 Adjusting the umbrella tilt angle

- With the tilt button pushed inward, move umbrella to desired location, then release button to lock in position.
- With the tilt button pushed inward, move umbrella to desired location, then release button to lock in position.



### 4 Charging the batteries

- Verify that the power switch (1) is in the OFF "O" position.
- Place the fully assembled solar umbrella in full sun, away from streetlights or other light sources where it will receive direct sunlight for at least 8 hours per day.

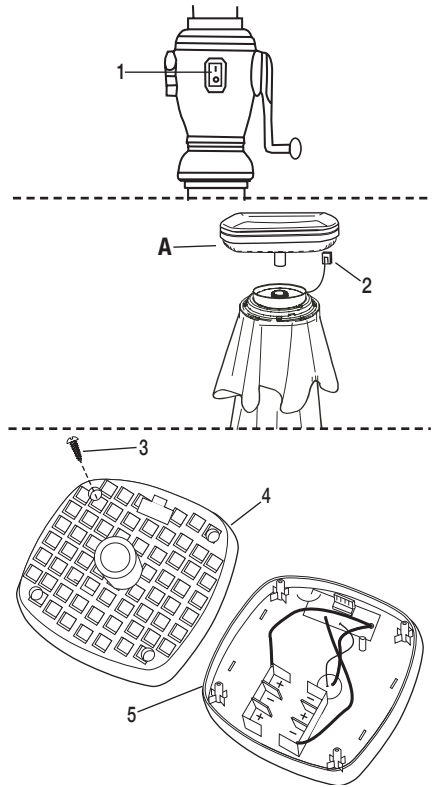


**NOTE:** The rechargeable batteries are preinstalled from the factory. Before operating, the batteries need to be fully charged. The batteries require at least 8-hours of full sunlight to charge.

**NOTE:** The number of hours light is illuminated is directly proportional to the number of hours of sunlight it receives. The solar panels cannot recharge the batteries if light is obstructed.

## 1 Replacing the batteries

- We recommend replacing rechargeable batteries once a year.
- Place the power switch (1) to OFF "O" position.
- Lower the solar umbrella, and place it on a flat non-abrasive surface.
- Remove the solar panel (A) from the top of the umbrella, turn counter-clockwise to unlock and separate.
- Carefully unplug the connector plug (2) from the solar panel receptacle.
- Remove and retain the four small screws (3) from the cover (4) and remove the cover.
- Remove and replace the old batteries with new rechargeable batteries of the same rating.
- Install new batteries in the proper direction and reference polarity (+/-) markings on the battery compartment (5) for the correct placement.
- Replace the battery cover (4) and secure with four screws retained.
- Insert the umbrella connector plug (2) into receptacle located on the bottom of the battery compartment.
- Insert the solar panel back into the top of the umbrella.
- Turn the solar panel clockwise to lock and secure.
- Refer to the section entitled "Charging the batteries" on page 5 to restore the solar lights to full operation.



## Care and Cleaning

---

- *Gently clean the solar panel and LEDs with a soft cloth. Do not use abrasives or chemicals to clean the solar panel. Remove dust and debris using a soft cloth or duster.*
- *Rinse the umbrella with clear, clean water. If necessary, use a gentle fabric cleaner, rated safe for polyester fabrics.*

## Limited Warranty

J & J Global (Seller) warrants to the original Buyer only, that each product will be free from defects in material and workmanship for a period of one (1) year from date of purchase. SELLER'S SOLE OBLIGATION AND BUYER'S EXCLUSIVE REMEDY UNDER THIS LIMITED WARRANTY SHALL BE THE REPAIR OR REPLACEMENT OF PARTS, WITHOUT CHARGE, WHICH ARE DEFECTIVE IN MATERIAL OR WORKMANSHIP. ANY PARTS AS DETERMINED BY THE SELLER WHICH HAVE BEEN MISUSED; ABUSED OR DAMAGED EITHER DIRECTLY OR INDIRECTLY FROM REPAIRS OR ALTERATIONS ATTEMPTED BY UNAUTHORIZED PERSON; IMPROPER MAINTENANCE, NEGLIGENCE OR ACCIDENT ARE NOT COVERED BY THIS LIMITED WARRANTY. This warranty does not apply to damage, heat-induced coloration changes, scratching or alteration due to normal use or weathering. To make a claim under this Limited Warranty, email [contact@ezreplacement.com](mailto:contact@ezreplacement.com) or visit [www.ezreplacement.com](http://www.ezreplacement.com) for warranty questions and claims.

### Additional Limitations

THIS LIMITED WARRANTY DOES NOT APPLY TO ACCESSORY OR CONSUMABLE ITEMS RELATED TO THIS PRODUCT. ALL IMPLIED WARRANTIES SHALL BE LIMITED IN DURATION TO ONE (1) YEAR FROM DATE OF PURCHASE. IN NO EVENT SHALL SELLER BE LIABLE FOR ANY INCIDENTAL OR CONSEQUENTIAL DAMAGES, INCLUDING BUT NOT LIMITED TO LIABILITY FOR LOSS OF PROFITS, ARISING FROM THE SALE OR USE OF THIS PRODUCT.

If any provision of this Limited Warranty is for any reason held to be invalid or unenforceable, such provision shall not affect any other provision herein, this Limited Warranty shall be construed as if such invalid and/or unenforceable provision had never been contained herein.

This warranty gives you special legal rights, and you may also have other rights which vary from state to state. This warranty contains the entire agreement between Seller and Buyer and supercedes any and all prior agreements, arrangements, or understandings between the parties relating to product warranty.

U.S. Patents No.: 6,612,713; 7,753,546; 8,069,868; 8,375,966; 8,727,555; 8,794,781

Due to ongoing product development  
the actual product or products may vary from the  
illustrations or photos shown within this manual.

**For Manuals, Replacement Parts or Customer Service visit:  
[www.ezreplacement.com](http://www.ezreplacement.com)**

NOTE: This product is intended for residential, non-commercial use.

**Made In China**  
©2018 J&J Global, LLC  
Distributed by:  
J&J Global, LLC  
Carrollton, TX 75006