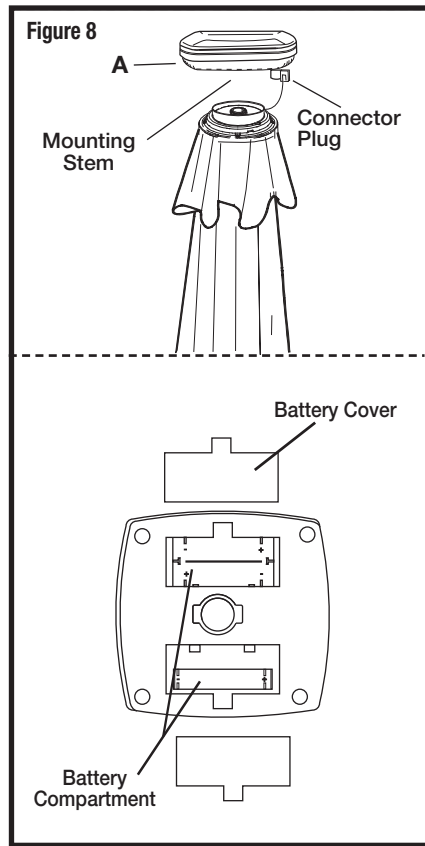




### Battery Replacement

The rechargeable batteries come preinstalled from the factory. The batteries are located inside the battery compartment.

1. (SEE FIGURE 8) Remove battery compartment (A) from top of umbrella, turn counter-clockwise to unlock and separate.
2. Carefully unplug connector plug from battery compartment receptacle.
3. Remove battery covers.
4. Remove and replace old batteries with new rechargeable batteries of the same rating.
5. Install new batteries in proper direction, reference polarity (+/-) markings for correct placement.
6. Refer to section entitled "Rechargeable Batteries" to restore solar lights to full operation.



### Battery Recycling

Please dispose of used batteries properly. Consult your local telephone listings for a battery recycling center near your area.



Do not dispose batteries in household waste



Protect batteries against heat and fire due to risk of explosion!



Do not throw batteries into water

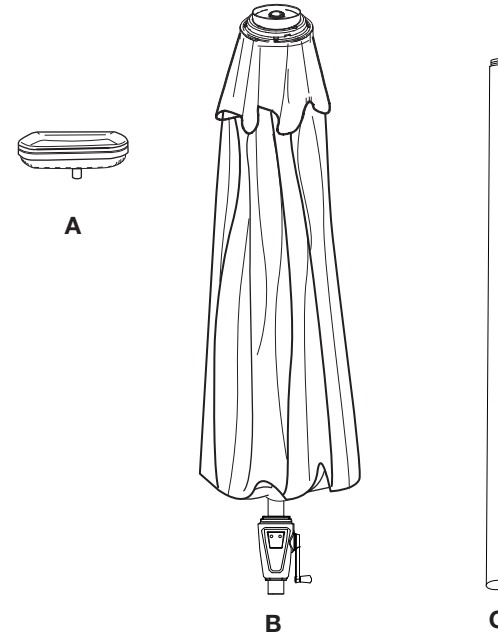


Recycling

### PARTS LIST

PART #	DESCRIPTION	QUANTITY
A	Battery Compartment/Solar Panel	1
B	Solar Umbrella Assembly	1
C	Umbrella Pole	1

#### Parts Detail



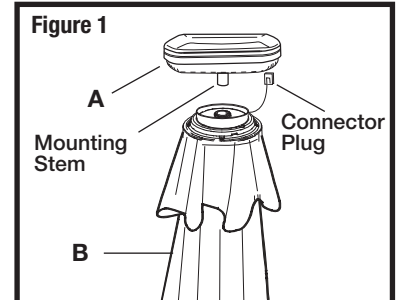
Carefully remove the contents from the package. If any parts are missing do not attempt to use the product until they have been obtained and correctly installed.

### ASSEMBLY INSTRUCTIONS

**⚠ CAUTION: DO NOT INSERT END OF UMBRELLA POLE INTO THE GROUND.** The solar umbrella is designed to be used with an umbrella stand (not supplied).

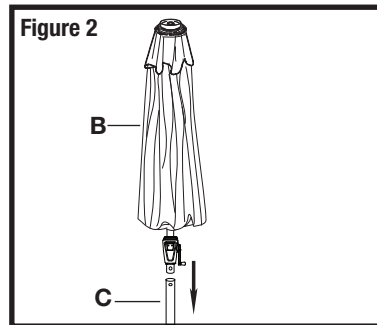
#### Attach Solar Battery Compartment Assembly

1. (SEE FIGURE 1) Position battery compartment (A) at top of umbrella (B).
2. Insert connector plug attached to umbrella into receptacle located on battery compartment.
3. Insert battery compartment stem into top of umbrella. Turn battery compartment clockwise to lock and secure.



### Attach Umbrella to Umbrella pole

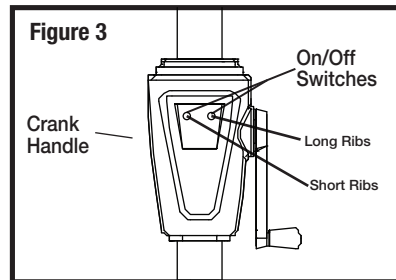
1. (SEE FIGURE 2) Align hole at end of umbrella (B) with push button at top of lower umbrella pole(C).
2. Depress push button and insert umbrella into lower umbrella pole until push button locks.
3. Place umbrella upright in a heavy weighted stand (not included), and table capable of firmly securing the umbrella.



## OPERATING SOLAR UMBRELLA

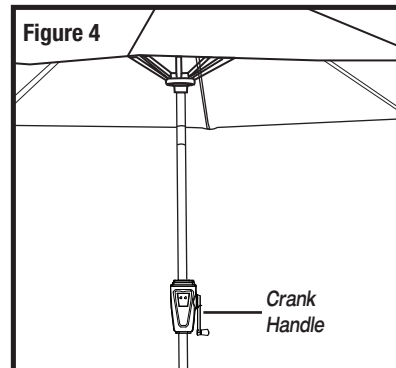
### How to Turn Solar Lights On

1. (SEE FIGURE 3) Push button labeled "short ribs" to turn lights on the short ribs on. Push button labeled "long ribs" to turn lights on the long ribs on.
2. Refer to section entitled "Charging Rechargeable Batteries".  
**NOTICE:** Set switch to off "0" position when solar lights are not needed.



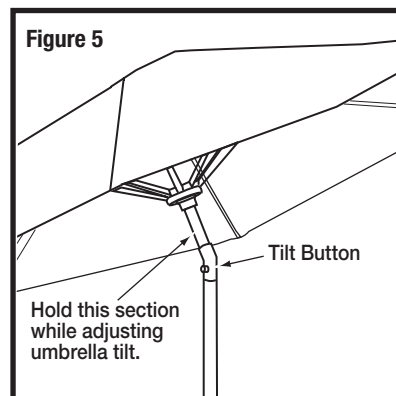
### Adjust Umbrella Up or Down

1. (SEE FIGURE 4) Using the crank handle, raise umbrella to desired height. Turn crank handle clockwise to open the umbrella.



### Adjust Tilt Angle of Umbrella

1. (SEE FIGURE 5) Hold the umbrella pole above the tilt button, and press the tilt button inward.
2. With the tilt button pushed inward, move umbrella to desired location, then release button to lock in position.



### Charging Rechargeable Batteries

**NOTE:** The rechargeable batteries are preinstalled from the factory. Before operating, the batteries need to be fully charged. The batteries require at least 8-hours of full sunlight to charge.

1. (SEE FIGURE 6) Verify power is off.
2. Place the fully assembled solar umbrella in full sun, where it will receive direct sunlight for at least 8 hours per day.

**NOTE:** The number of hours light is illuminated is directly proportional to the number of hours of sunlight it receives. The solar panels cannot recharge the batteries if light is obstructed.

