



9' X 7' Next Gen Solar Lighted Umbrella Instruction Manual

Limited Warranty

J & J Global LLC. Products for Home Use

J & J Global LLC. (Seller) warrants to the original Buyer only, that this SunRay Product will be free from defects in material and workmanship for a period of one (1) year from date of purchase. **SELLER'S SOLE OBLIGATION AND BUYER'S EXCLUSIVE REMEDY UNDER THIS LIMITED WARRANTY SHALL BE THE REPAIR OR REPLACEMENT OF PARTS, WITHOUT CHARGE, WHICH ARE DEFECTIVE IN MATERIAL OR WORKMANSHIP.** ANY PARTS AS DETERMINED BY THE SELLER WHICH HAVE BEEN MISUSED; ABUSED OR DAMAGED EITHER DIRECTLY OR INDIRECTLY FROM REPAIRS OR ALTERATIONS ATTEMPTED BY UNAUTHORIZED PERSONS; IMPROPER MAINTENANCE, NEGLIGENCE OR ACCIDENT ARE NOT COVERED BY THIS LIMITED WARRANTY. This warranty does not apply to damage, heat-induced coloration changes, scratching or alteration due to normal use or weathering. To make a claim under this Limited Warranty, you must return the complete product with proof of purchase, transportation prepaid, to any J & J Global LLC. authorized service center. Visit: ezreplacement.com for the location of the nearest authorized service center.

Additional Limitations

THIS LIMITED WARRANTY DOES NOT APPLY TO ACCESSORY OR CONSUMABLE ITEMS, INCLUDING BATTERIES, RELATED TO THIS PRODUCT. ALL IMPLIED WARRANTIES SHALL BE LIMITED IN DURATION TO ONE (1) YEAR FROM DATE OF PURCHASE. IN NO EVENT SHALL SELLER BE LIABLE FOR ANY INCIDENTAL OR CONSEQUENTIAL DAMAGES, INCLUDING BUT NOT LIMITED TO LIABILITY FOR LOSS OF PROFITS, ARISING FROM THE SALE OR USE OF THIS PRODUCT.

If any provision of this Limited Warranty is for any reason held to be invalid or unenforceable, such provision shall not affect any other provision herein, this Limited Warranty shall be construed as if such invalid and/or unenforceable provision had never been contained herein.

This warranty gives you special legal rights, and you may also have other rights which vary from state to state.

This Warranty contains the entire agreement between Seller and Buyer and supersedes any and all prior agreements, arrangements, or understandings between the parties relating to product warranty.

Due to ongoing product development
the actual product or products may vary from
the illustrations or photos shown within this manual.

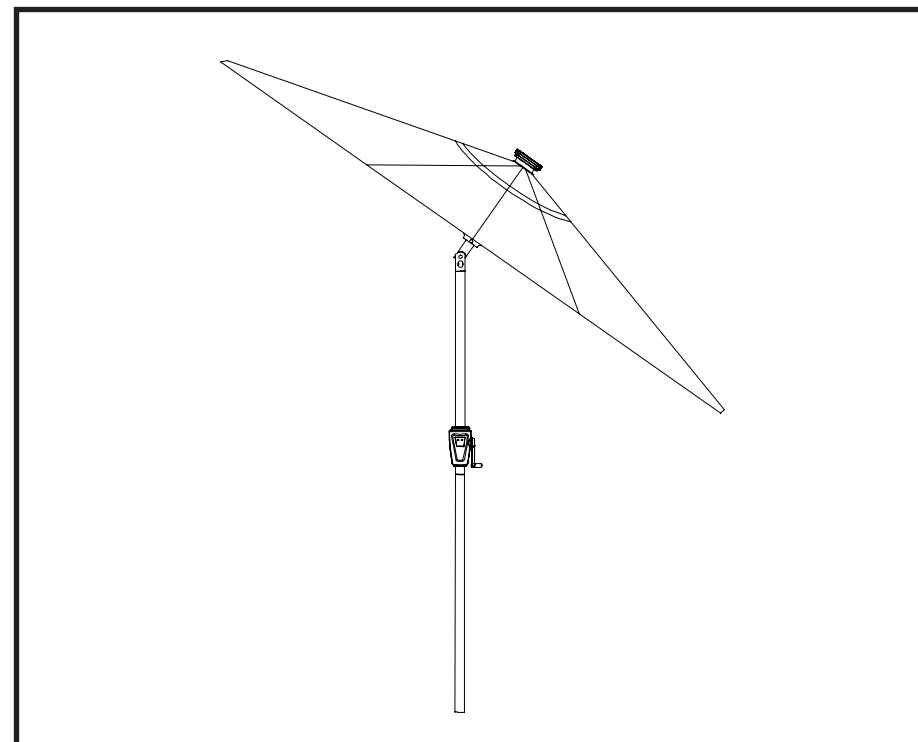
For Manuals, Replacement Parts or Customer Service visit:
www.ezreplacement.com

NOTE: This product is intended for residential, non-commercial use.

⚠ WARNING

This product can expose you to lead, a chemical known to the state of California to cause cancer, birth defects and/or other reproductive harm. For more information go to www.p65warnings.ca.gov/product

Made in China
©2019 J&J Global LLC.
Distributed By:
J & J Global, LLC.
Carrollton, TX 75006



Model No. 801030, 801031, 801053

Read the instructions and precautions before use of this product

For warranty information, please refer to the back page.

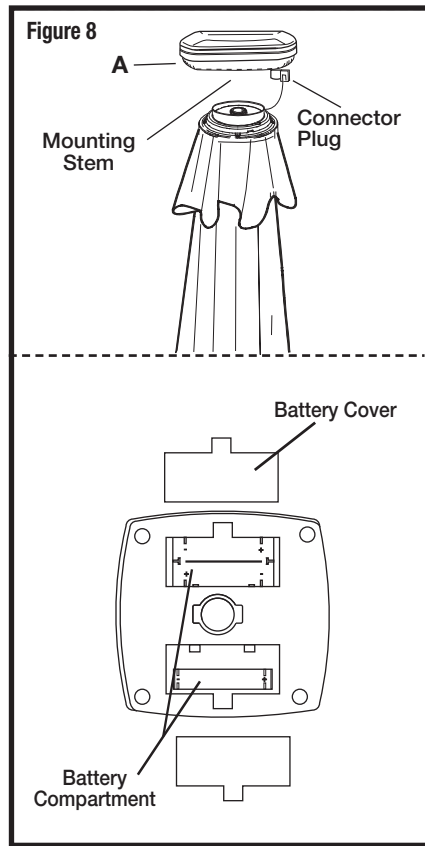
Do Not Return This Product to Retailer Visit Ezreplacement.com or Contact 903.851.1498

- Defective Did Not Like Product Other
 Not as Described Incorrect Color _____

Battery Replacement

The rechargeable batteries come preinstalled from the factory. The batteries are located inside the battery compartment.

1. (SEE FIGURE 8) Remove battery compartment (A) from top of umbrella, turn counter-clockwise to unlock and separate.
2. Carefully unplug connector plug from battery compartment receptacle.
3. Remove battery covers.
4. Remove and replace old batteries with new rechargeable batteries of the same rating.
5. Install new batteries in proper direction, reference polarity (+/-) markings for correct placement.
6. Refer to section entitled "Rechargeable Batteries" to restore solar lights to full operation.



Battery Recycling

Please dispose of used batteries properly. Consult your local telephone listings for a battery recycling center near your area.



Do not dispose batteries in household waste



Protect batteries against heat and fire due to risk of explosion!



Do not throw batteries into water

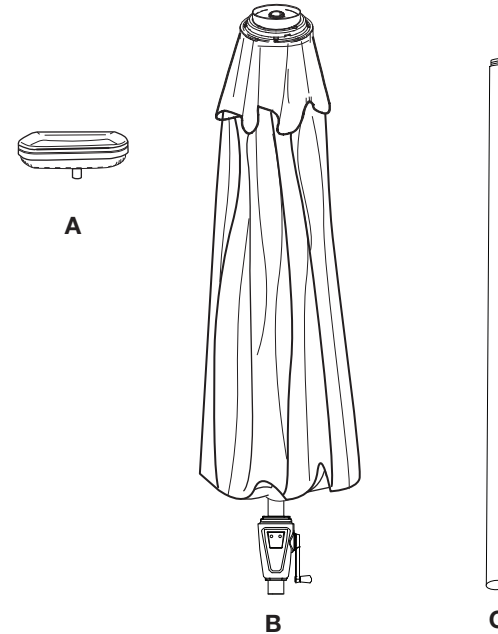


Recycling

PARTS LIST

PART #	DESCRIPTION	QUANTITY
A	Battery Compartment/Solar Panel	1
B	Solar Umbrella Assembly	1
C	Umbrella Pole	1

Parts Detail



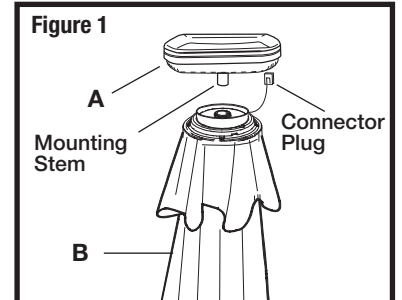
Carefully remove the contents from the package. If any parts are missing do not attempt to use the product until they have been obtained and correctly installed.

ASSEMBLY INSTRUCTIONS

⚠ CAUTION: DO NOT INSERT END OF UMBRELLA POLE INTO THE GROUND. The solar umbrella is designed to be used with an umbrella stand (not supplied).

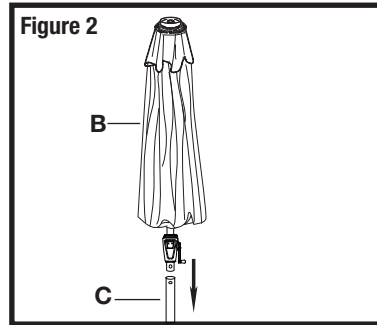
Attach Solar Battery Compartment Assembly

1. (SEE FIGURE 1) Position battery compartment (A) at top of umbrella (B).
2. Insert connector plug attached to umbrella into receptacle located on battery compartment.
3. Insert battery compartment stem into top of umbrella. Turn battery compartment clockwise to lock and secure.



Attach Umbrella to Umbrella pole

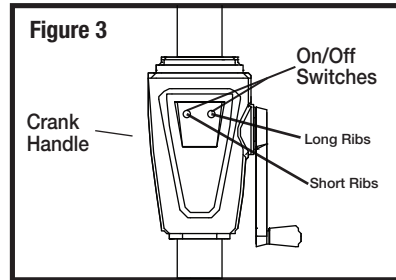
1. (SEE FIGURE 2) Align hole at end of umbrella (B) with push button at top of lower umbrella pole(C).
2. Depress push button and insert umbrella into lower umbrella pole until push button locks.
3. Place umbrella upright in a heavy weighted stand (not included), and table capable of firmly securing the umbrella.



OPERATING SOLAR UMBRELLA

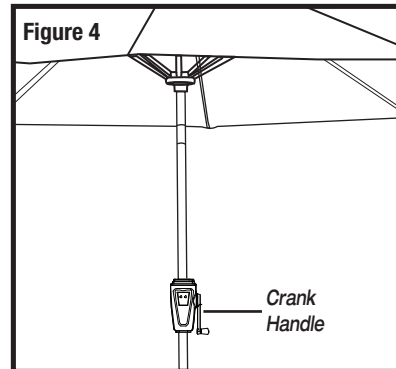
How to Turn Solar Lights On

1. (SEE FIGURE 3) Push button labeled "short ribs" to turn lights on the short ribs on. Push button labeled "long ribs" to turn lights on the long ribs on.
2. Refer to section entitled "Charging Rechargeable Batteries".
NOTICE: Set switch to off "0" position when solar lights are not needed.



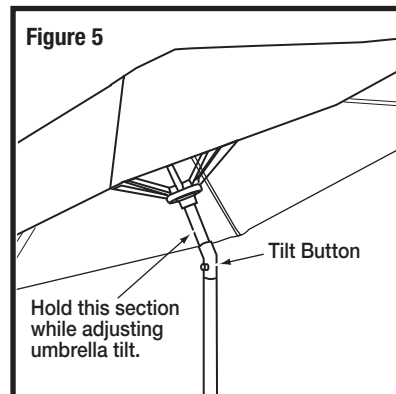
Adjust Umbrella Up or Down

1. (SEE FIGURE 4) Using the crank handle, raise umbrella to desired height. Turn crank handle clockwise to open the umbrella.



Adjust Tilt Angle of Umbrella

1. (SEE FIGURE 5) Hold the umbrella pole above the tilt button, and press the tilt button inward.
2. With the tilt button pushed inward, move umbrella to desired location, then release button to lock in position.



Charging Rechargeable Batteries

NOTE: The rechargeable batteries are preinstalled from the factory. Before operating, the batteries need to be fully charged. The batteries require at least 8-hours of full sunlight to charge.

1. (SEE FIGURE 6) Verify power is off.
2. Place the fully assembled solar umbrella in full sun, where it will receive direct sunlight for at least 8 hours per day.

NOTE: The number of hours light is illuminated is directly proportional to the number of hours of sunlight it receives. The solar panels cannot recharge the batteries if light is obstructed.

