

Limited Warranty

J & J Global, LLC (Seller) warrants to the original Buyer only, that each product will be free from defects in material and workmanship for a period of one (1) year from date of purchase. SELLER'S SOLE OBLIGATION AND BUYER'S EXCLUSIVE REMEDY UNDER THIS LIMITED WARRANTY SHALL BE THE REPAIR OR REPLACEMENT OF PARTS, WITHOUT CHARGE, WHICH ARE DEFECTIVE IN MATERIAL OR WORKMANSHIP. ANY PARTS AS DETERMINED BY THE SELLER WHICH HAVE BEEN MISUSED; ABUSED OR DAMAGED EITHER DIRECTLY OR INDIRECTLY FROM REPAIRS OR ALTERATIONS ATTEMPTED BY UNAUTHORIZED PERSON; IMPROPER MAINTENANCE, NEGLIGENCE OR ACCIDENT ARE NOT COVERED BY THIS LIMITED WARRANTY. This warranty does not apply to damage, heat-induced coloration changes, scratching or alteration due to normal use or weathering. To make a claim under this Limited Warranty, email contact@ezreplacement.com or visit www.ezreplacement.com for warranty questions and claims.

Additional Limitations

THIS LIMITED WARRANTY DOES NOT APPLY TO ACCESSORY OR CONSUMABLE ITEMS RELATED TO THIS PRODUCT. ALL IMPLIED WARRANTIES SHALL BE LIMITED IN DURATION TO ONE (1) YEAR FROM DATE OF PURCHASE. IN NO EVENT SHALL SELLER BE LIABLE FOR ANY INCIDENTAL OR CONSEQUENTIAL DAMAGES, INCLUDING BUT NOT LIMITED TO LIABILITY FOR LOSS OF PROFITS, ARISING FROM THE SALE OR USE OF THIS PRODUCT.

If any provision of this Limited Warranty is for any reason held to be invalid or unenforceable, such provision shall not affect any other provision herein, this Limited Warranty shall be construed as if such invalid and/or unenforceable provision had never been contained herein.

This warranty gives you special legal rights, and you may also have other rights which vary from state to state.

This warranty contains the entire agreement between Seller and Buyer and supercedes any and all prior agreements, arrangements, or understandings between the parties relating to product warranty.

Due to ongoing product development the actual product or products may vary from the illustrations or photos shown within this manual.

**For Manuals, Replacement Parts or Customer Service visit:
www.ezreplacement.com**

This product is intended for residential, non-commercial use.

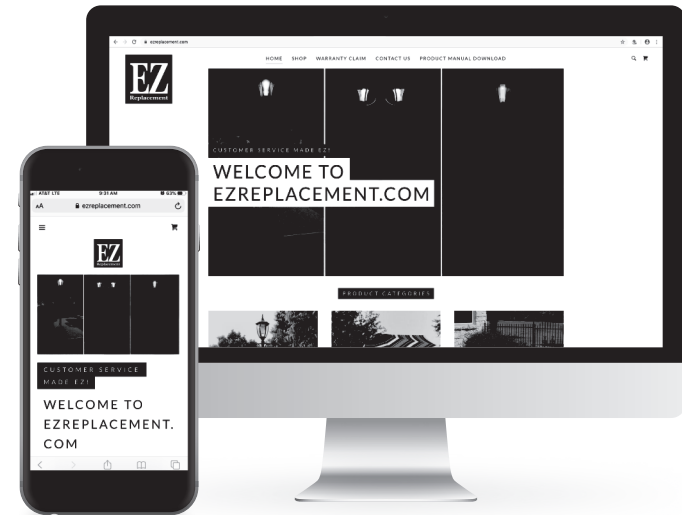
WARNING

This product can expose you to lead, a chemical known to the state of California to cause cancer, birth defects and/or other reproductive harm. For more information go to www.p65warnings.ca.gov/product

MADE IN CHINA
©2019 J & J Global, LLC
Distributed By:
J & J Global, LLC
Carrollton, TX 75006



Customer Service Made EZ!



- User Friendly Interface
- Download Product Manuals
- Email your questions or concerns
- File Warranty Claim
- Follow-up within 24 Hrs
- Parts Ship within 48 Hrs.



Parts distribution made from our Carrollton, TX warehouse facility

ATTENTION!

**Please do not return this product to the retailer.
If you are missing or have damaged parts please email
contact@ezreplacement.com Or Call 877-477-2264**



10' Offset Solar Lighted Umbrella

SKU: 801044, 801045, 801046, 801044S, 801045S 801046S



Read the instructions and precautions before use of this product

Please keep this instruction manual for future reference

For warranty information, please refer to the back page of this instruction manual.

Care Instructions

Clean any dirt and debris from the solar panels, the panels cannot recharge if the light is obstructed. Use a soft cloth to clean the panels. Do not use abrasives or chemicals that might scratch or damage the UV coating.

In a region where snow and ice are likely, and the light assembly is covered with snow for an extended period of time the batteries will require recharge for at least 8 hours.

Do not mix old batteries with new batteries.

Do not mix alkaline standard (Carbon-Zinc) or rechargeable (Nickel-Cadmium) batteries

Recycling

Please dispose of batteries properly. Consult your local telephone listing for a battery recycling center in your area.



Ambient temperature maximal 40°C (105°F)



Do not throw batteries into water!



Do not dispose of batteries in household waste



Protect batteries against heat and fire risk of explosion



Recycling

7

Battery Replacement

We recommend replacing rechargeable batteries once a year.

Lower the solar umbrella, and place it on a flat non-abrasive surface.

Remove the solar panel (A) from the top of the umbrella, turn counter-clockwise to unlock and separate.

Carefully unplug the connector plug (2) from the solar panel receptacle.

Remove both battery compartment covers.

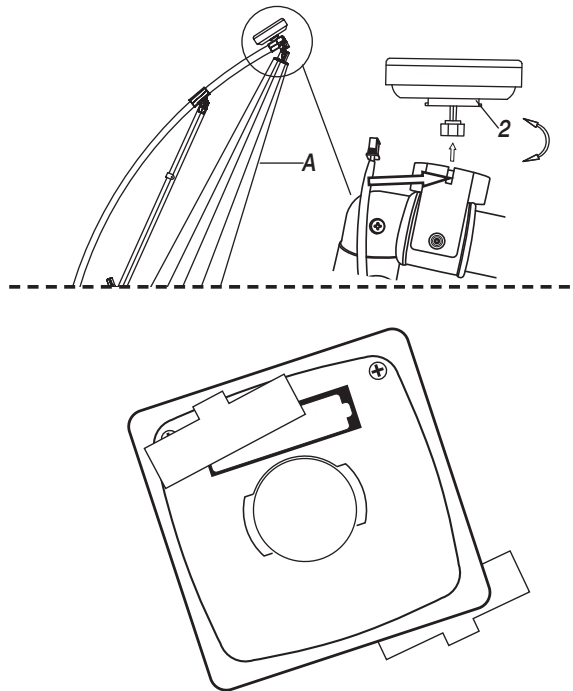
Remove and replace old batteries with new rechargeable batteries of the same rating.

Install batteries in proper direction, referencing polarity (+/-) markings for correct placement and replace the compartment covers.

Insert the umbrella connector plug (2) into receptacle located on the bottom of the battery compartment.

Insert the solar panel back into the top of the umbrella.

Turn the solar panel clockwise to lock and secure.

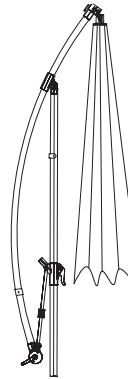


Package Contents

A

Solar Umbrella Assembly

x1



B

Umbrella Pole

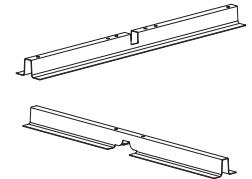
x1



C

Lower & Upper Bracket

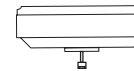
x1
Set



D

Solar Panel

x1



E

M8X15MM BOLTS

x4



F

Flat Washer

x4



General Safety

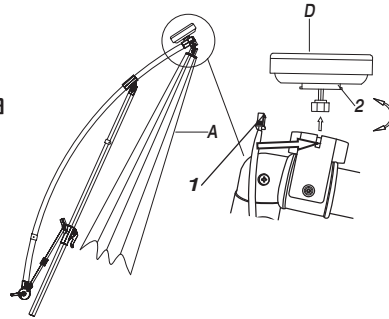
- Never leave children unsupervised with the packaging material. There is a risk of suffocation.
- Improper use of this item may result in physical harm.
- Ensure that the article is properly stable before use.
- Examine the item for damage or wear before each use.
- Close and store the umbrella when not in use.
- Always securely fasten the umbrella into an umbrella base.
- DO NOT use the product in windy conditions. Excessive wind can cause damage to the product or danger to people.
- The light source of this luminaire is not replaceable. When the light source reaches its end of life the whole luminaire shall be replaced.
- The battery must be removed from the appliance before its scrapped.
- The battery is to be disposed of safely.

1

Position the solar panel (D) on top of the umbrella (A).

Insert the connector plug (1) attached to the umbrella into the receptacle located on the back of the solar panel (D).

Insert the solar panel stem (2) into the top of the umbrella. Turn the solar panel (D) clockwise to lock and secure.



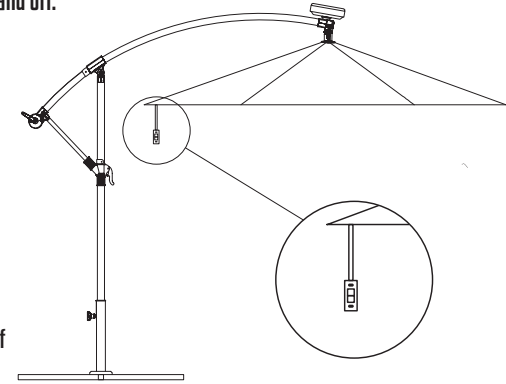
 Solar Panel receives charge from sunlight.

4

Once the batteries are fully charged, press the ON/OFF switch to turn LED lights on and off.



CAUTION: The LED lights do not turn off automatically. Always turn the lights off when not in use.

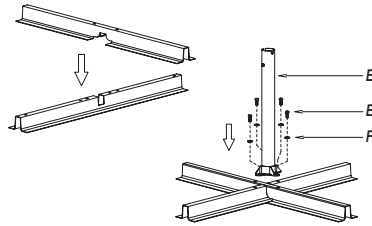


2

Place Upper Bracket onto Lower Bracket as shown.

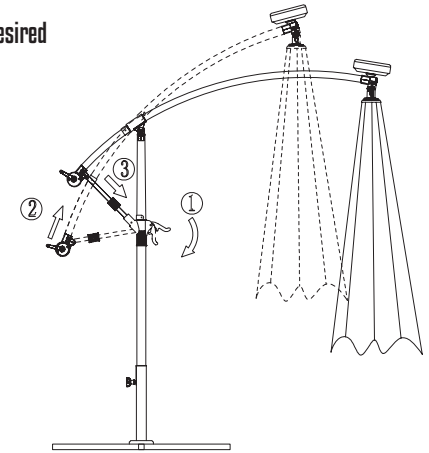
Line up the bolt holes on the Umbrella Pole (B) with the corresponding bolt holes on the two brackets. Screw the MBX15MM Bolts (E) with Flat Washers (F) into Umbrella Pole.

Place weights onto four sections of base (weights not included).



5

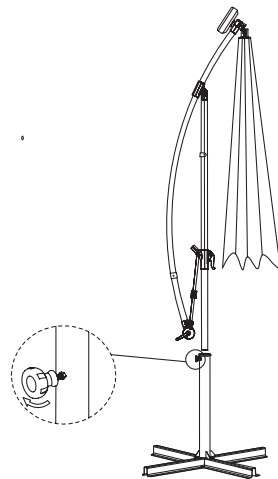
Open the lever (1) and slide up or down to desired position. Close lever to lock into position.



3

Insert the stem of the Solar Umbrella Assembly (A) into Umbrella Pole (B), turn screw in knob clockwise until tight as shown.

 **CAUTION:** The Umbrella ribs may compress during shipping. Before opening the umbrella turn it upside down and shake it gently to sperate ribs.



6

Turn crank (1) clockwise to open umbrella canopy.

