

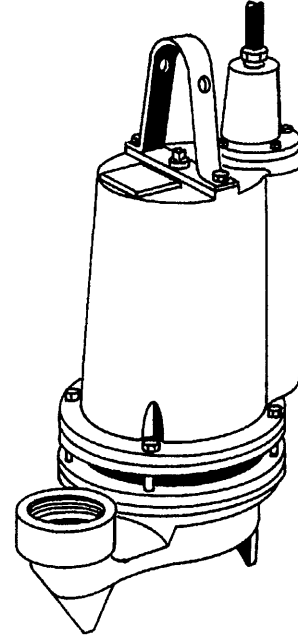
SECTION	1B
PAGE	70
DATE	11/02
REPLACES	8/01

BARNES® 3SE-DS

SUBMERSIBLE NON-CLOG PUMPS
1-1/2" Spherical Solids Handling

Specifications:

DISCHARGE: 3" (76mm) NPT, Vertical
LIQUID TEMPERATURE: 104°F (40°C) Continuous.
VOLUTE: Cast Iron, ASTM A-48 Class 30.
MOTOR HOUSING: Cast Iron ASTM A-48, Class 30.
SEAL PLATE: Cast Iron ASTM A-48 Class 30.
IMPELLER: *Design:* 2 Vane, Open, With Pump Out Vanes On Back Side. Dynamically Balanced. ISO G6.3.
Material: Cast Iron ASTM A-48 Class 30.
SHAFT: 416 Stainless Steel
SQUARE RINGS: Buna-N
HARDWARE: 300 Series Stainless Steel
PAINT: Air Dry Enamel.
SEAL: *Design:* Double Mechanical, In Oil Filled Pressure Equalized Reservoir.
Material: Rotating Faces - Carbon Stationary Faces - Ceramic Elastomer- Buna-N
CABLE ENTRY: Hardware -300 Series Stainless
 25 ft. (7.6M) Cord, Epoxy Sealed Housing With Secondary Pressure Grommet For Sealing and Strain Relief.
SPEED: 3450 RPM (Nominal).
UPPER BEARING: *Design:* Sleeve for 1.0 HP.
Lubrication: Single Row, Ball for 1.5 Thru 3.0 HP.
Load: Oil Radial
LOWER BEARING: *Design:* Single Row, Ball
Lubrication: Oil
Load: Radial & Thrust
MOTOR: *Design:* NEMA L-Single Phase, NEMA B-Three Phase Torque Curve. Completely Oil-Filled, Squirrel Cage Induction.
Insulation: Class A for 1.0HP. Class B for 1.5 Thru 3.0HP.
SINGLE PHASE: Permanent Split Capacitor (PSC). Includes Overload Protection In Motor.
THREE PHASE: Dual Voltage 230/460; Requires Overload Protection to be Included in Control Panel.
MOISTURE SENSOR: N/O, Requires Relay in Control Panel.
TEMPERATURE SENSOR: N/C, Requires Relay in Control Panel.
OPTIONAL EQUIPMENT: Seal Material, Impeller Trims, Additional Cable.



Series: 3SE-DS 1.0 - 3.0HP
3450 RPM

 **Canadian Standards Association**
 File No. LR16567

Description:

SUBMERSIBLE NON-CLOG SEWAGE PUMP DESIGNED FOR TYPICAL RAW SEWAGE APPLICATIONS.

Sample Specifications: Section 1 Page 10.

CRANE

PUMPS & SYSTEMS

A Crane Co. Company

1485 Lexington Ave.
 Mansfield, Ohio 44907-2674
 Ph: (937) 778-8947
 Fax: (419) 774-1530
 www.barnespumps.com

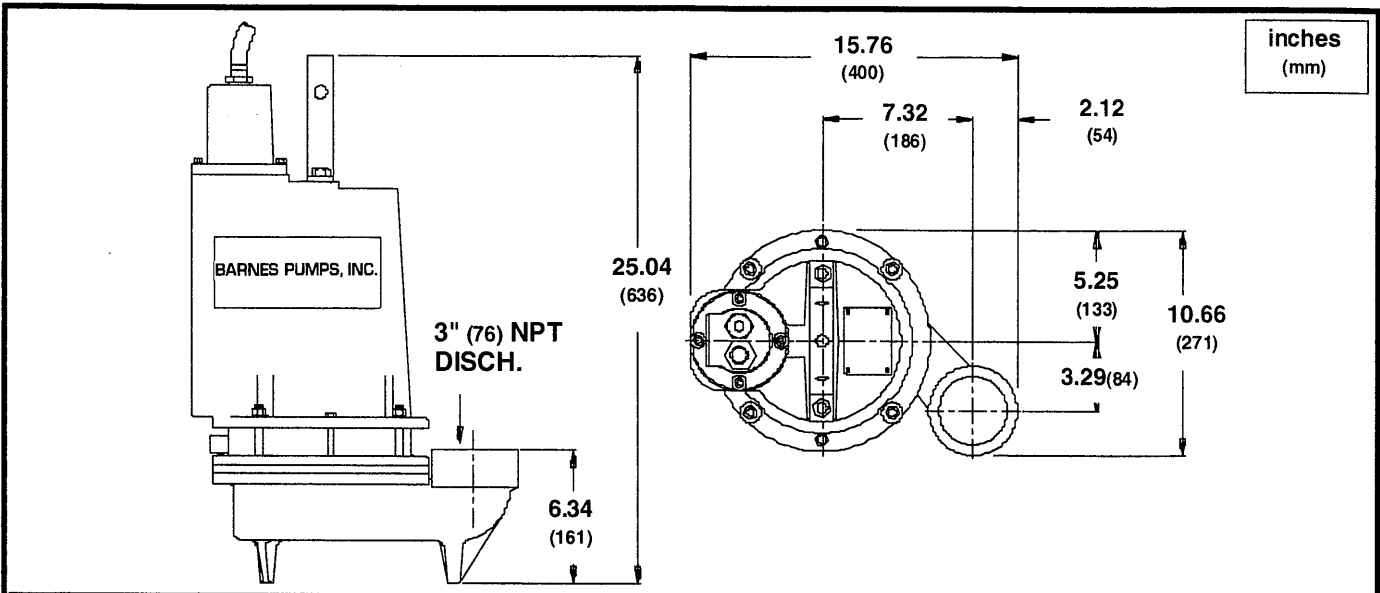
420 Third Street/P.O. Box 603
 Piqua, Ohio 45356-0603
 Ph: (937) 778-8947
 Fax: (937) 773-7157
 www.cranepumps.com

83 West Drive
 Brampton, Ontario
 Canada L6T 2J6
 Ph: (905) 457-6223
 Fax: (905) 457-2650

Submersible Wastewater
 Pump Association

MEMBER

SECTION	1B
PAGE	71
DATE	11/02
REPLACES	8/01



MODEL NO.	PART NO.	HP	VOLT	PH	RPM (NOM)	NEMA START CODE	FULL LOAD AMPS	LOCKED ROTOR AMPS	CORD SIZE	CORD TYPE	CORD O.D.
3SE1022DS	088803	1.0	230	1	3450	G	8.5	26.0	10/3	SOW	0.690
3SE1032DS	088804	1.0	230	3	3450	K	5.0	22.0	10/4	SOW	0.750
3SE1042DS	088805	1.0	460	3	3450	K	2.5	11.0	10/4	SOW	0.750
3SE1052DS	088806	1.0	575	3	3450	K	2.0	8.8	10/4	SOW	0.750
3SE1522DS	088807	1.5	230	1	3450	E	12.0	31.0	10/3	SOW	0.690
3SE1532DS	088808	1.5	230	3	3450	J	8.6	27.0	10/4	SOW	0.750
3SE1542DS	088809	1.5	460	3	3450	J	4.3	13.5	10/4	SOW	0.750
3SE1552DS	088810	1.5	575	3	3450	J	3.4	10.8	10/4	SOW	0.750
3SE2022DS	088811	2.0	230	1	3450	E	13.5	42.0	10/3	SOW	0.690
3SE2032DS	088812	2.0	230	3	3450	G	9.0	30.0	10/4	SOW	0.750
3SE2042DS	088813	2.0	460	3	3450	G	4.5	15.0	10/4	SOW	0.750
3SE2052DS	088814	2.0	575	3	3450	G	3.6	12.0	10/4	SOW	0.750
3SE3032DS	088815	3.0	230	3	3450	F	16.4	40.0	10/4	SOW	0.750
3SE3042DS	088816	3.0	460	3	3450	F	8.2	20.0	10/4	SOW	0.750
3SE3052DS	089296	3.0	575	3	3450	F	6.5	16.0	10/4	SOW	0.750

Moisture & Temperature sensor cable for all models is 18/5 SOW, 0.476 OD.
Optional - Temperature Sensor only cable for 3 phase models is 14/2 SOW, 0.530 O.D.

IMPORTANT !

- 1.) PUMP MAY BE OPERATED "DRY" FOR EXTENDED PERIODS WITHOUT DAMAGE TO MOTOR AND/OR SEALS.
- 2.) THIS PUMP IS APPROPRIATE FOR THOSE APPLICATIONS SPECIFIED AS CLASS I DIVISION II HAZARDOUS LOCATIONS.
- 3.) THIS PUMP IS NOT APPROPRIATE FOR THOSE APPLICATIONS SPECIFIED AS CLASS I DIVISION I HAZARDOUS LOCATIONS.
- 4.) INSTALLATIONS SUCH AS DECORATIVE FOUNTAINS OR WATER FEATURES PROVIDED FOR VISUAL ENJOYMENT MUST BE INSTALLED IN ACCORDANCE WITH THE NATIONAL ELECTRIC CODE ANSI/NFPA 70 AND/OR THE AUTHORITY HAVING JURISDICTION. THIS PUMP IS NOT INTENDED FOR USE IN SWIMMING POOLS, RECREATIONAL WATER PARKS, OR INSTALLATIONS IN WHICH HUMAN CONTACT WITH PUMPED MEDIA IS A COMMON OCCURRENCE.



PUMPS & SYSTEMS

A Crane Co. Company

1485 Lexington Ave.
Mansfield, Ohio 44907-2674
Ph: (937) 778-8947
Fax: (419) 774-1530
www.barnespumps.com

420 Third Street/P.O. Box 603
Piqua, Ohio 45356-0603
Ph: (937) 778-8947
Fax: (937) 773-7157
www.cranepumps.com

83 West Drive
Brampton, Ontario
Canada L6T 2J6
Ph: (905) 457-6223
Fax: (905) 457-2650

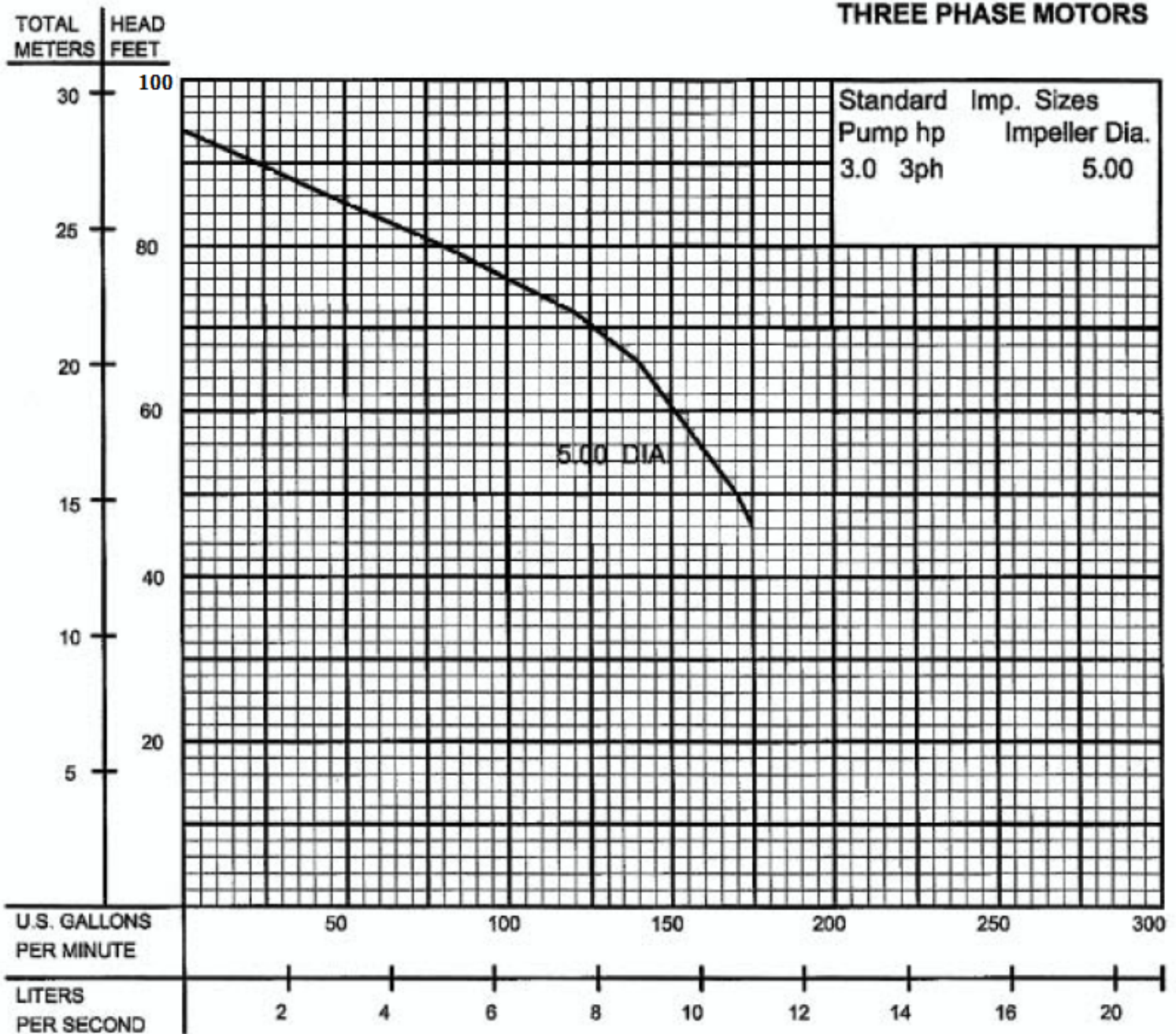


SECTION	1B
PAGE	72
DATE	11/02
REPLACES	12/99

PERFORMANCE CURVE

Series: 3SE-DS, 1.0, Thru 3.0HP, 3450RPM

THREE PHASE MOTORS



Testing is performed with water, specific gravity of 1.0 @ 68° F, other fluids may vary performance.



A Crane Co. Company

PUMPS & SYSTEMS

1485 Lexington Ave.
Mansfield, Ohio 44907-2674
Ph: (937) 778-8947
Fax: (419) 774-1530
www.barnespumps.com

420 Third Street/P.O. Box 603
Piqua, Ohio 45356-0603
Ph: (937) 778-8947
Fax: (937) 773-7157
www.cranepumps.com

83 West Drive
Brampton, Ontario
Canada L6T 2J6
Ph: (905) 457-6223
Fax: (905) 457-2650

