

## *Comfort Style & Durability*



**Product Catalogue**

- Office
- Institutional
- Residences
- Hotel
- Restaurants
- Commercial
- Airport
- Hospitals
- Corporates

# Certifications & Accreditation



# Certifications & Accreditation



# Our Manufacturing Un



# INDEX

1	CEO Chair Series	1
2	Director Chair Series	2
3	Executive Chair Series	3-4
4	Mesh Chair Series	5-6
5	Workstation Chair Series	7
6	Visitor Chair Series	8
7	Barstool Chair Series	9
8	Writing Chair Series	10
9	Cafe & Dining Chair Series	11-12
10	Cafe & Dining Series	13-14
11	Mesh Dining Series	15
12	Auditorium Chair Series	16
13	Waiting Chair Series	17-18
14	Office Table Series	19-25
15	Reception Table Series	26
16	Workstation Series	27-30
17	Conference Series	31-32
18	Classroom Table Series	33-35
19	Study Table Series	36
20	Almirah Series	37-40
21	Locker Series	41
22	Hostel Bed Series	42-43
23	Center Table Series	44
24	Wooden Storage Series	45-46
25	Lab Furniture Series	47-49
26	Hospital Furniture Series	50-54
27	Compactor Series	55-56
28	Sofa Series	57-69
29	Dining Series	70-71
30	Bedroom Series	72-73
31	Bed Series	74-75
32	Wardrobe Series	76-78
33	Modular Kitchen Series	79-80
34	Magazine & Lecture Stand, Shoe Rack	81





SGI - 101



SGI - 102



SGI - 103



SGI - 104



SGI - 105



SGI - 106



SGI - 107



SGI - 108



SGI - 109



SGI - 110



SGI - 111



SGI - 112



SGI - 113



SGI - 114



SGI - 115



SGI - 116



SGI - 117



SGI - 118



SGI - 119



SGI - 120



SGI - 121



SGI - 122



SGI - 123



SGI - 124



SGI - 125



SGI - 126



SGI - 127



SGI - 128



SGI - 129



SGI - 130



SGI - 131



SGI - 132



SGI - 133



SGI - 134



SGI - 135



SGI - 136



SGI - 137



SGI - 138



SGI - 139



SGI - 140



SGI - 141



SGI - 142



SGI - 143



SGI - 144



SGI - 145



SGI - 146



SGI - 147



SGI - 148



SGI - 149



SGI - 150



SGI - 151



SGI - 152



SGI - 153



SGI - 154



SGI - 155



SGI - 156



SGI - 157



SGI - 158



SGI - 159



SGI - 160



SGI - 161



SGI - 162



SGI - 163



SGI - 164



SGI - 165



SGI - 166



SGI - 167



SGI - 168



SGI - 169



SGI - 170



SGI - 171



SGI - 172



SGI - 173



SGI - 174



SGI - 175



SGI - 176



SGI - 177



SGI - 178



SGI - 179



SGI - 180



SGI - 181



SGI - 182



SGI - 183



SGI - 184



SGI - 185



SGI - 186



SGI - 187



SGI - 188



SGI - 189



SGI - 190



SGI - 191



SGI - 192



SGI - 193



SGI - 194



SGI - 195



SGI - 196



SGI - 197



SGI - 198



SGI - 199



SGI - 200



SGI - 201



SGI - 202



SGI - 203



SGI - 204



SGI - 205



SGI - 206



SGI - 207



SGI - 208



SGI - 209



SGI - 210



SGI - 211



SGI - 212



SGI - 213



SGI - 214



SGI - 215



SGI - 216



SGI - 217



SGI - 218



SGI - 219



SGI - 220



SGI - 221



SGI - 222



SGI - 223



SGI - 224



SGI - 225



SGI - 226



SGI - 227



SGI - 228



SGI - 229



SGI - 230



SGI - 231



SGI - 232



SGI - 233



SGI - 234



SGI - 235



SGI - 236



SGI - 237



SGI - 238



SGI - 239



SGI - 240



SGI - 241



SGI - 242



SGI - 243



SGI - 244



SGI - 245



SGI - 246



SGI - 247



SGI - 248



SGI - 249



SGI - 250



SGI - 251



SGI - 252



SGI - 253



SGI - 254



SGI - 255



SGI - 256



SGI - 257



SGI - 258



SGI - 259



SGI - 260



SGI - 261



SGI - 262



SGI - 263



SGI - 264



SGI - 265



SGI - 266



SGI - 267



SGI - 268



SGI - 269



SGI - 270



SGI - 271



SGI - 272



SGI - 273





SGL - 01



SGL - 02



SGL - 03



SGL - 04



SGL - 05



SGL - 06



SGL - 07



SGL - 08



SGL - 09



SGL - 010



SGL - 011



SGL - 012



SGI - 013



SGI - 014



SGI - 015



SGI - 016



**SGI-MD-01**  
H750 x W900 x L1050



**SGI-MD-02**  
H750 x W750 x L1500



**SGI-MD-03**  
H750 x W1200 x L600  
H750 x W1500 x L900





SGI - Audi 1



SGI - Audi 2



SGI - Audi 3



SGI - Audi 4



SGI - Audi 5



SGI - Audi 6



SGI - Audi 7



SGI - Audi 8



SGI - Audi 9



SGI - Audi 10



SGI - Audi 11



SGI-WC - 501



SGI-WC - 502



SGI-WC - 503



SGI-WC - 504



SGI-WC - 505



SGI-WC - 506



SGI-WC - 507



SGI-WC - 508



SGI-WC - 509



SGI-WC - 510



SGI-WC - 511



SGI-WC - 512



SGI-WC - 513



SGI-WC - 514



SGI-WC - 515



SGI-WC - 516



SGI-WC - 517



SGI-WC - 518



SGI-WC - 519



### SGI-DT-3001

Size - 2650x2200x750mm  
Main Table - 2400x1000x750  
Side Table - 2200x600x700



### SGI-DT-3002

Size - 2650x2200x750mm  
Main Table - 2400x1000x750  
Side Table - 2200x600x700



### SGI-DT-3003

Size - 3000x1200x750mm  
Main Table - 2000x1000x750  
Side Table - 1200x450x750  
Round Table - 1000x750



### SGI-DT-3004

Size - 2000x1900x750mm  
Main Table - 2000x900x750  
Side Unit - 1000x450x700



### SGI-DT-3005

Main Table - 3000x1200x750  
Main Table - 2400x1200x750



### SGI-DT-3006

Size - 2700x2200x750mm  
Main Table - 2400x1000x750  
Side Unit - 2200x600x700



### SGI-OFT-3007

Size - 2100x1800x750mm  
Main Table - 1800x900x750  
Side Unit - 1800x450x650



### SGI-OFT-3008

Main Table - 2400x1200x750  
Side Unit - 1200x600x700



### SGI-OFT-3009

Size - 2400x1800x750mm  
Main Table - 2400x900x750  
Side Table - 1800x450x700



### SGI-OFT-3010

Size - 2400x2200x750mm  
Main Table - 2400x1000x750  
Side Unit - 1200x450x750



### SGI-OFT-3011

Main Table - 1500x750x750  
Side Unit - 900x450x725  
Back Unit - 1500x400x750



### SGI-OFT-3012

Main Table - 1500x750x750  
Side Unit - 900x450x750



**SGI-OFT-3013**

Main Table - 1500x750x750  
 Main Table - 1800x900x750  
 Side Unit - 900x450x700



**SGI-OFT-3014**

Main Table - 1800x900x750  
 Side Unit - 900x450x750  
 Back Unit - 1800x400x1800



**SGI-OFT-3015**

Main Table - 1500x750x750  
 Main Table - 1800x900x750  
 Side Unit - 900x450x700



**SGI-OFT-3016**

Main Table - 1500x750x750  
 Main Table - 1800x900x750  
 Side Unit - 900x450x750



**SGI-OFT-3017**

Main Table - 1500x750x750  
 Side Unit - 900x450x725



**SGI-OFT-3018**

Main Table - 1950x1800x750  
 Main Table - 1800x1700x750  
 Main Table - 1600x1600x750



**SGI-OFT-3019**

Main Table - 1500x750x750  
Main Table - 1800x900x750  
Side Unit - 900x450x725



**SGI-OFT-3020**

Main Table - 2400x900x750  
Side Unit - 1200x450x725



**SGI-OFT-3021**

Main Table - 1200x600x750



**SGI-OFT-3022**

Main Table - 1500x750x750



**SGI-OFT-3023**

Main Table - 1200x600x750



**SGI-OFT-3024**

Main Table - 1500x750x750



### SGI-OFT-3025

Main Table - 1200x600x750  
Main Table - 1350x750x750  
Pedestal Unit - 450x400x680



### SGI-OFT-3026

Main Table - 1200x600x750  
Main Table - 1500x750x750



### SGI-OFT-3027

Main Table - 1500x750x750



### SGI-OFT-3028

Main Table - 1500x750x750



### SGI-OFT-3029

Main Table - 1200x600x750  
Main Table - 1500x750x750



### SGI-OFT-3030

Main Table - 1500x750x750  
Main Table - 1800x900x750



### SGI-OFT-3031

Main Table - 1200x600x750  
Main Table - 1500x750x750



### SGI-OFT-3032

Main Table - 1200x600x750  
Main Table - 1500x750x750



### SGI-OFT-3033

Main Table - 1200x600x750  
Main Table - 900x600x750



### SGI-OFT-3034

Main Table - 1350x680x750



### SGI-OFT-3035

Main Table - 1200x600x750  
Main Table - 1500x750x750



### SGI-OFT-3036

Size - 1800x1800x750  
Main Table - 1800x900x750  
Side Table - 900x600x725



**SGI-OFT-3037**

Main Table - 1200x600x750



**SGI-OFT-3038**

Main Table - 1200x600x750

Main Table - 1500x750x750



**SGI-OFT-3039**

Main Table - 1500x750x750



**SGI-OFT-3040**

Main Table - 900x600x750

Main Table - 1200x600x750



**SGI-OFT-3041**

Main Table - 1800x900x750

Main Table - 900x600x750

Main Table - 1200x600x750



**SGI-OFT-3042**

Main Table - 1200x600x750

Main Table - 1500x750x750



SGI-RCT-3040



SGI-RCT-3041



SGI-RCT-3042



SGI-RCT-3043



SGI-RCT-3044



SGI-RCT-3045





**SGI-WS-2001**  
Size - 3000x3000x1200



**SGI-WS-2002**  
Size - 300x3000x1050



**SGI-WS-2003**  
Size - 3000x2160x1200



**SGI-WS-2004**  
Size - 3000x3000x1200



**SGI-WS-2005**  
Size - 1100x1100x1050



**SGI-WS-2006**  
Size - 1500x1500x1200



**SGI-WS-2007**  
Size - 1200x600x1200



**SGI-WS-2008**  
Size - 1200x600x1200



**SGI-WS-2009**  
Size - 1200x600x1200



**SGI-WS-2010**  
Size - 1200x600x1050



**SGI-WS-2011**  
Size - 1200x600x1050



**SGI-WS-2012**  
Size - 1200x600x1050



**SGI-WS-2013**  
Size - 3400x3000x750/1200



**SGI-WS-2014**  
Size - 1200x600x750/1200



**SGI-WS-2015**  
Size - 1200x600x750/1200



**SGI-WS-2016**  
Size - 2400x600x750/1200



**SGI-WS-2017**  
Size - 2400x600x750/1200



**SGI-WS-2018**  
Size - 1200x600x750/1200



**SGI-WS-2019**  
Size - 1200x600x750/1200



**SGI-WS-2020**  
Size - 1200x600x750/1200



**SGI-WS-2021**  
Size - 1200x600x750/1200



**SGI-WS-2022**  
Size - 1200x600x750/1200



**SGI-WS-2023**  
Size - 1200x600x750/1200



**SGI-WS-2024**  
Size - 1200x600x750/1200





SGI-CT-4001



SGI-CT-4002



SGI-CT-4003



SGI-CT-4004



SGI-CT-4005



SGI-CT-4006



SGI-CT-4007



SGI-CT-4008



SGI-CT-4009



SGI-CT-4010



SGI-CT-4011



SGI-CT-4012



**SGI-CLR-0961**  
Size - 600x400x750



**SGI-CLR-0962**  
Size - 1050x400x750



**SGI-CLR-0963**  
Size - 1200x400x750



**SGI-CLR-0964**  
Size - 600x400x750



**SGI-CLR-0965**  
Size - 1050x400x750



**SGI-CLR-0966**  
Size - 1050x400x750



**SGI-CLR-0967**  
Size - 1050x400x750



**SGI-CLR-0968**  
Size - 1050x400x750



**SGI-CLR-0969**  
Size - 1050x400x750



**SGI-CLR-0970**  
Size - 600x400x750



**SGI-CLR-0971**  
Size - 1050x400x750



**SGI-CLR-0972**  
Size - 1050x400x750



**SGI-CLR-0973**  
Size - 1050x400x750



**SGI-CLR-0974**  
Size - 1050x400x750



**SGI-CLR-0975**  
Size - 600x400x750



**SGI-CLR-0976**  
Size - 1050x400x750



**SGI-CLR-0977**  
Size - 1050x400x750



**SGI-CLR-0979**  
Size - 600x400x750



**SGI-CLR-0980**  
Size - 1050x400x750



**SGI-CLR-0981**  
Size - 1050x400x750



**SGI-CLR-0982**  
2 Seater - 1050x400x750  
3 Seater - 1550x400x750



**SGI-CLR-0983**  
2 Seater - 1050x400x750  
3 Seater - 1550x400x750



**SGI-CLR-0984**  
2 Seater - 1050x400x750  
3 Seater - 1550x400x750



**SGI-CLR-0985**  
2 Seater - 1050x400x750  
3 Seater - 1550x400x750



**SGI-CLR-0986**  
2 Seater - 1050x400x750  
3 Seater - 1550x400x750



**SGI-CLR-0987**  
2 Seater - 1050x400x750  
3 Seater - 1550x400x750



**SGI-ST-0281**

Size - 1200x600x750

Size - 1500x750x750



**SGI-ST-0282**

Size - 900x600x750

Size - 1200x600x750



**SGI-ST-0283**

Size - 1500x750x750



**SGI-ST-0284**

Size - 800x500x750



**SGI-ST-0285**

Size - 800x500x750



**SGI-ST-0286**

Size - 750x450x750



**SGI-ST-0287**

Size - 1500x750x750

Size - 1200x600x750

Size - 900x600x750



**SGI-ST-0288**

Size - 1200x600x750

Size - 900x600x750



**SGI-ST-0289**

Size - 1200x600x750

Size - 900x600x750



**SIGOLD - 1001**  
2 DOOR ALMIRAH

Dimensions	Height	Width	Depth
	78	34	19

Available Colors



**SIGOLD - 1001 Digital**  
2 DOOR ALMIRAH

Dimensions	Height	Width	Depth
	78	34	19

Available Colors



**SIGOLD - 1002**  
2 DOOR ALMIRAH

Dimensions	Height	Width	Depth
	78	34	19

Available Colors



**SIGOLD - 1003**  
DRESSING ALMIRAH

Dimensions	Height	Width	Depth
	78	34	19

Available Colors



**SIGOLD - 1004**  
2 DOOR ALMIRAH

Dimensions	Height	Width	Depth
	78	34	19

Available Colors



**SIGOLD - 1005**  
2 DOOR ALMIRAH

Dimensions	Height	Width	Depth
	78	34	19

Available Colors



**SIGOLD - 1008**  
3 DOOR PLAIN ALMIRAH

Dimensions	Height	Width	Depth
	78	48	19

Available Colors



**SIGOLD - 1009**  
3 DOOR ITALIAN WITH DRESSING  
ALMIRAH

Dimensions	Height	Width	Depth
	78	48	19

Available Colors



**SIGOLD - 1012**  
2 DOOR PLAIN ALMIRAH

Dimensions	Height	Width	Depth
	78	34	19

Available Colors





SINGHANIYA HINDUSTANI - 2004  
2 DOOR ALMIRAH

Dimensions	Height	Width	Depth
	78	34	22

Available Colors



SINGHANIYA HINDUSTANI - 2004 Digital  
2 DOOR ALMIRAH

Dimensions	Height	Width	Depth
	78	48	22

Available Colors



SINGHANIYA HINDUSTANI - 2011  
2 DOOR HALF LOCKER ALMIRAH

Dimensions	Height	Width	Depth
	78	34	19

Available Colors



SINGHANIYA HINDUSTANI - 2012  
2 DOOR PLAIN ALMIRAH

Dimensions	Height	Width	Depth
	78	34	19

Available Colors



SINGHANIYA HINDUSTANI - 2013  
GLASS DOOR ALMIRAH

Dimensions	Height	Width	Depth
	78	36	19

Available Colors



SINGHANIYA HINDUSTANI - 2014  
4 DOOR BOOK CASE

Dimensions	Height	Width	Depth
	66	30	15

Available Colors



SINGHANIYA HINDUSTANI - 2015  
10 LOCKER

Dimensions	Height	Width	Depth
	78	34	19

Available Colors



SINGHANIYA HINDUSTANI - 2016  
2 DOOR ALMIRAH

Dimensions	Height	Width	Depth
	50	30	19

Available Colors



SINGHANIYA HINDUSTANI - 2016 Digital  
2 DOOR ALMIRAH

Dimensions	Height	Width	Depth
	50	30	19

Available Colors





SINGHANIYA HINDUSTANI - 3002  
ITALIAN DIGITAL ALMIRAH

Dimensions	Height	Width	Depth
	78	36	22

Available Colors



SINGHANIYA HINDUSTANI - 3004  
FULL HANGER DOUBLE DRAWER SHOE  
DRAWER

Dimensions	Height	Width	Depth
	78	42	22

Available Colors



SINGHANIYA HINDUSTANI - 3004 Digital  
FULL HANGER DOUBLE DRAWER SHOE  
DRAWER

Dimensions	Height	Width	Depth
	78	42	22

Available Colors



SINGHANIYA HINDUSTANI - 3006  
2 DOOR DRESSING ALMIRAH

Dimensions	Height	Width	Depth
	78	36	22

Available Colors



SINGHANIYA HINDUSTANI - 3008  
3 DOOR ITALIAN WITH DRESSING

Dimensions	Height	Width	Depth
	78	48	22

Available Colors



SINGHANIYA HINDUSTANI - 3009  
3 DOOR ITALIAN ALMIRAH

Dimensions	Height	Width	Depth
	78	48	22

Available Colors



SINGHANIYA HINDUSTANI - 3009 Digital  
3 DOOR ITALIAN ALMIRAH

Dimensions	Height	Width	Depth
	78	48	22

Available Colors



SINGHANIYA HINDUSTANI - 1401  
MAGAZINE CASE

Dimensions	Height	Width	Depth
	73	31	15

Available Colors



SINGHANIYA HINDUSTANI - 1402  
GLASS DOOR SLIDING ALMIRAH

Dimensions	Height	Width	Depth
	72	35	15

Available Colors





SINGHANIYA HINDUSTANI - 1404  
2 DRAWER WITH LOCKER

Dimensions	Height	Width	Depth
	78	36	19

Available Colors



SINGHANIYA HINDUSTANI - 1405  
2 DOOR MIRROR WITH LOCKER

Dimensions	Height	Width	Depth
	49	29	16

Available Colors



SINGHANIYA HINDUSTANI - 1406  
GLASS DOOR ALMIRAH

Dimensions	Height	Width	Depth
	78	36	19

Available Colors



SINGHANIYA HINDUSTANI - 1407  
METAL BOOK CASE

Dimensions	Height	Width	Depth
	66	30	15

Available Colors



SINGHANIYA HINDUSTANI - 1408  
Glass Door Storage

Dimensions	Height	Width	Depth
	78	36	19

Available Colors



SINGHANIYA HINDUSTANI - 1409  
6 Door Steel Personal Locker

Dimensions	Height	Width	Depth
	78	36	19

Available Colors



SINGHANIYA HINDUSTANI - 1410  
4 Door Adjustable Shelf Steel Almirah

Dimensions	Height	Width	Depth
	78	36	19

Available Colors



SINGHANIYA HINDUSTANI - 1411  
Steel Rack

Dimensions	Height	Width	Depth
	78	36	11

Available Colors



SINGHANIYA HINDUSTANI - 1412  
Steel Rack

Dimensions	Height	Width	Depth
	48	36	11

Available Colors





SINGHANIYA HINDUSTANI - 1413  
20 Locker Steel Personal Locker

Dimensions	Height	Width	Depth
	72	76	18

Available Colors



SINGHANIYA HINDUSTANI - 1414  
12 Locker Steel Personal Locker (Digital Lock)

Dimensions	Height	Width	Depth
	74	44	18

Available Colors



SINGHANIYA HINDUSTANI - 1415  
15 Locker Steel Personal Locker

Dimensions	Height	Width	Depth
	78	44	18

Available Colors



SINGHANIYA HINDUSTANI - 1416  
50 Locker Steel Personal Locker

Dimensions	Height	Width	Depth
	78	36	16

Available Colors



SINGHANIYA HINDUSTANI - 1417  
9 Locker Steel Personal Locker

Dimensions	Height	Width	Depth
	72	18	16

Available Colors



SINGHANIYA HINDUSTANI - 1418  
9 Locker Steel Personal Locker

Dimensions	Height	Width	Depth
	72	18	16

Available Colors



SINGHANIYA HINDUSTANI - 1404  
2,3,4 Drawer File Cabinet

Dimensions	Height	Width	Depth
2 Drawer	28	18	24
3 Drawer	40	18	24
4 Drawer	52	18	24

Available Colors



SINGHANIYA HINDUSTANI - 1405  
Vertical File Cabinet

Dimensions	Height	Width	Depth
2 Drawer	28	18	24
3 Drawer	42	18	24
4 Drawer	52	18	24

Available Colors



SINGHANIYA HINDUSTANI - 1405  
Mobile Pedestal

Dimensions	Height	Width	Depth
3 Drawer	26	16	24
3 Drawer	24	16	24

Available Colors





**SGI-HB-101**

Size 1 - 900x1800x900  
Size 2 - 1200x1800x900



**SGI-HB-102**

Size 1 - 900x1800x900  
Size 2 - 1200x1800x900



**SGI-HB-103**

Size 1 - 900x1800x750  
Size 2 - 1200x1800x750



**SGI-HB-104**

Size 1 - 900x1800x750  
Size 2 - 1200x1800x750



**SGI-HB-105**

Size 1 - 900x1800x750  
Size 2 - 1200x1800x750



**SGI-HB-106**

Size 1 - 900x1800x450  
Size 2 - 1200x1800x450



**SGI-HB-107**

Size 1 - 900x1800x750  
Size 2 - 1200x1800x750



**SGI-HB-108**

Size 1 - 900x1800x900  
Size 2 - 1200x1800x900



**SGI-HB-109**

Size 1 - 900x1800x750  
Size 2 - 1200x1800x750



**SGI-HB-110**

Size 1 - 900x1800x750  
Size 2 - 1200x1800x750



**SGI-HB-111**

Size 1 - 900x1800x900  
Size 2 - 1200x1800x900



**SGI-HB-112**

Size 1 - 900x1800x750  
Size 2 - 1200x1800x750



**SGI-HB-113**

Size - 915x2056x1650



**SGI-HB-114**

Size - 915x2056x1650



**SGI-HB-115**

Size - 915x2056x1650



SGI-CT-01



SGI-CT-02



SGI-CT-03



SGI-CT-04



SGI-CT-05



SGI-CT-06



SGI-CT-07



SGI-CT-08



SGI-CT-09



SGI-CT-010



SGI-CT-011



SGI-CT-012



**SGI-SU-101**

W750 x D400 x H750  
W750 x D400 x H900  
W750 x D400 x H1200



**SGI-SU-102**

W1600 x D550 x H2000



**SGI-SU-103**

W900 x D400 x H1500  
W900 x D400 x H1800



**SGI-SU-104**

W900 x D400 x H1500  
W900 x D400 x H1800



**SGI-SU-105**

W900 x D400 x H1500  
W900 x D400 x H1800



**SGI-SU-106**

W2250 x D400 x H1800  
W2250 x D400 x H1500



**SGI-SU-107**

W900 x D400 x H1500  
W900 x D400 x H1800



**SGI-SU-108**

W750 x D400 x H750  
W750 x D400 x H900  
W750 x D400 x H1200



**SGI-SU-109**

W750 x D400 x H750  
W750 x D400 x H900  
W750 x D400 x H1200



**SGI-SU-110**

W1200 x D400 x H1500  
W1200 x D400 x H1800



**SGI-SU-111**

W900 x D400 x H1500  
W900 x D400 x H1800



**SGI-SU-112**

W1200 x D400 x H1800  
W1200 x D400 x H1500



**SGI-SU-113**



**SGI-SU-114**



**SGI-PU-115**

W400 x D450 x H680



**SGI-PU-116**

W400 x D450 x H680



**SGI-PU-117**

W400 x D450 x H680



**SGI-PU-118**

W400 x D450 x H680



**SGI-LF-3001**

(Size As Per Your Requirement)



**SGI-LF-3002**

(Size As Per Your Requirement)



**SGI-LF-3003**  
(Size As Per Your Requirement)



**SGI-LF-3004**  
(Size As Per Your Requirement)



**SGI-LF-3005**  
(Size As Per Your Requirement)



**SGI-LF-3006**  
(Size As Per Your Requirement)



**SGI-LF-3007**  
(Size As Per Your Requirement)



**SGI-LF-3008**  
(Size As Per Your Requirement)



SGI-LC-01



SGI-LC-02



SGI-LC-03



SGI-LC-04



SGI-LC-05



SGI-LC-06



SGI-LC-07



SGI-LC-08



SGI-LS-09



SGI-LS-10



SGI-LS-11



SGI-LS-12



SGI-LS-13



SGI-LS-14



SGI-LS-15



SGI-LS-16



SGI-LS-17



**SGI-HF-1001**

Motorised Icu Bed with Cpr



**SGI-HF-1002**

Mechanical Icu Bed



**SGI-HF-1003**

Motorised Icu Bed with 4 Function



**SGI-HF-1004**

Mechanical Icu Bed



**SGI-HF-1005**

Hospital Semi Fowler Bed  
(Deluxe) MS Panel



**SGI-HF-1006**

Fowler Bed S.S. Panels



**SGI-HF-1007**

Hospital Semi Fowler Bed (Standard)



**SGI-HF-1008**

Hospital Semi Fowler Bed (ABS Panel)



**SGI-HF-1009**

Patient Bed



**SGI-HF-1010**

Attendant Bed (A)



**SGI-HF-1011**

Attendant Bed (B)



**SGI-HF-1012**

Hospital Examination Table



**SGI-HF-1013**  
Examination Cum Gynaec Table



**SGI-HF-1014**  
Pediatric General Bed



**SGI-HF-1015**  
M.S Stretcher Trolley Basic



**SGI-HF-1016**  
S.S Top Stretcher Trolley Basic



**SGI-HF-1017**  
S.S Stretcher Trolley with Cylinder



**SGI-HF-1018**  
Examination Couch



**SGI-HF-1019**  
Examination Couch with Foot Rest



**SGI-HF-1020**  
Labour Table SS Top



**SGI-HF-1021**  
Gynae Examination Table DLX. S.S



**SGI-HF-1022**  
Gynae Examination Table DLX. M.S



**SGI-HF-1023**  
Gynae Examination Table Basic



**SGI-HF-1024**  
Blood Donation Chair



**SGI-HF-1025**  
Blood Donation Chair with Recline



**SGI-HF-1026**  
Patient Trolley with Mattress



**SGI-HF-1027**  
Blood Donation Chair



**SGI-HF-1028**  
Baby Crib



**SGI-HF-1029**  
S.S Instrument Trolley



**SGI-HF-1030**  
Dressing Trolley



**SGI-HF-1031**  
Over Bed Table (Sunmica Top)



**SGI-HF-1032**  
Over Bed Table MS with Membrane Top



**SGI-HF-1033**  
Over Bed Table MS Basic with Membrane Top



**SGI-HF-1034**  
S.S. Instrument Trolley



**SGI-HF-1035**  
Linen Change Trolley



**SGI-HF-1036**  
Soiled Linen Trolley SS



**SGI-HF-1037**  
Soiled Linen Trolley



**SGI-HF-1038**  
Lab Technician Stool



**SGI-HF-1039**  
Revolving Stool



**SGI-HF-1040**  
S.S Top Steel Stool



**SGI-HF-1041**  
Revolving Stool



**SGI-HF-1042**  
All Steel Stool



**SGI-HF-1043**  
Bed Side Stool



**SGI-HF-1044**  
Bed Side Locker S.S Top



**SGI-HF-1045**  
Bed Side Locker General



**SGI-HF-1046**  
Bed Side Locker SS Top



**SGI-HF-1047**  
Medicine Trolley SS



**SGI-HF-1048**  
Crash Cart SS



**SGI-HF-1049**  
OT Drug Trolley



**SGI-HF-1050**  
Saline Stand



**SGI-HF-1051**  
Monitor Trolley MS



**SGI-HF-1052**  
Monitor Trolley SS



**SGI-HF-1053**  
Oxygen Cylinder Trolley  
MS (Push Type)



**SGI-HF-1054**  
Oxygen Cylinder Trolley  
MS (Push Type)



**SGI-HF-1055**  
Oxygen Cylinder Trolley  
MS (Push Type)



**SGI-HF-1056**

Handwash Single Basin  
Stand



**SGI-HF-1057**

Handwash Double Basin  
Stand



**SGI-HF-1058**

Single Tier Bowl Stand



**SGI-HF-1059**

Kick Bucket



**SGI-HF-1060**

Single Foot Step



**SGI-HF-1061**

Double Foot Step



**SGI-HF-1062**

SS Double Foot Step



**SGI-HF-1063**

Wheel Chair MS



**SGI-HF-1064**

Wheel Chair SS



**SGI-HF-1065**

Bed Side Screen  
(2 Fold)



**SGI-HF-1066**

Bed Side Screen  
(3 Fold)



**SGI-HF-1067**

Bed Side Screen  
(4 Fold)

# Optimize the Space

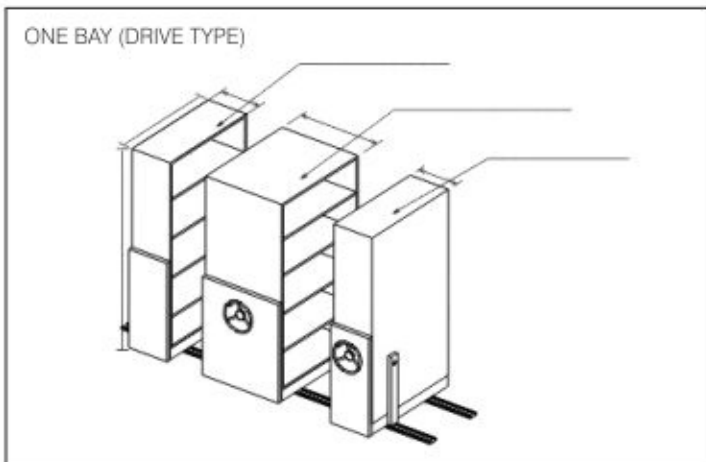
Mobile Storage System are three times more space efficient than conventional filing and shelving at half the cost.

When storage needs outgrow available space, the problem, usually tackled with a move to larger premises, an expensive option. But there is an alternative, you can increase storage efficiently with a mobile shelving system, that :

- A. Save Money
- B. Boost Efficiency
- C. Improve Your Working Environment

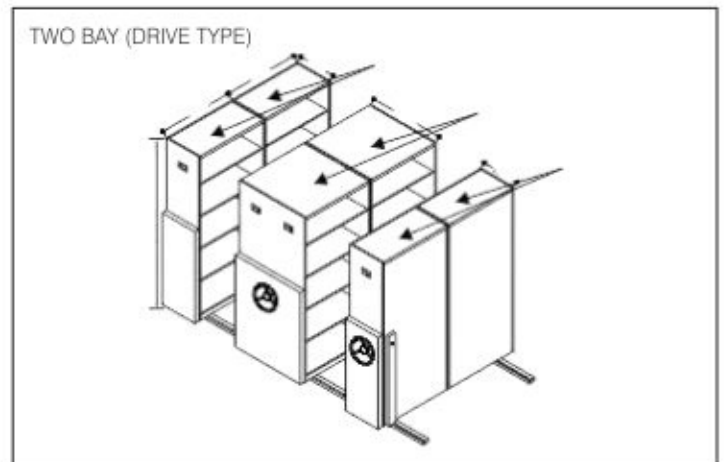


## ONE BAY (DRIVE TYPE)



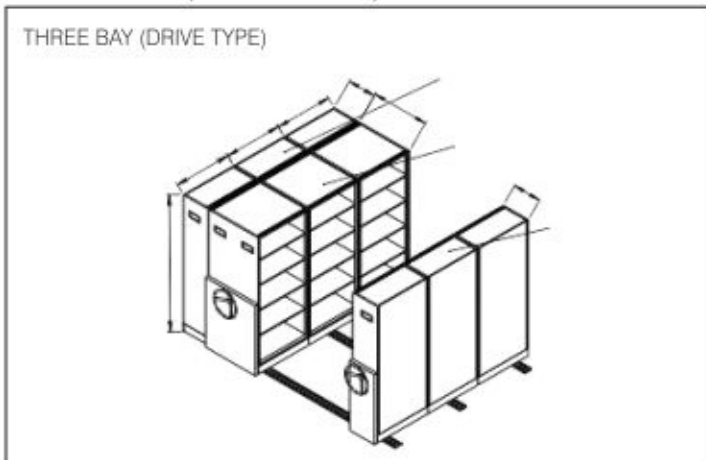
Draw - 1

## ONE BAY (DRIVE TYPE)



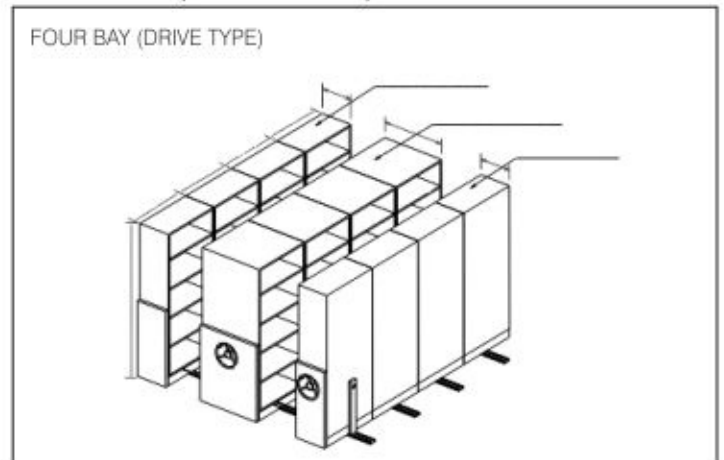
Draw - 2

## THREE BAY (DRIVE TYPE)



Draw - 3

## FOUR BAY (DRIVE TYPE)



Draw - 4

## Optimize the Space

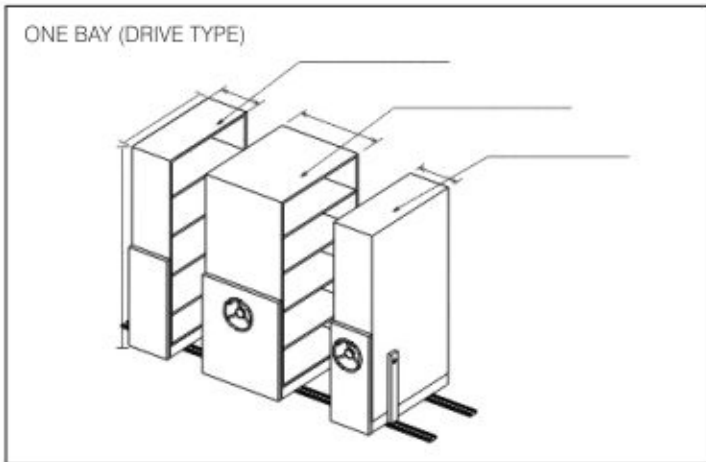
Mobile Storage System are three times more space efficient than conventional filing and shelving at half the cost.

When storage needs outgrow available space, the problem, usually tackled with a move to larger premises, an expensive option. But there is an alternative, you can increase storage efficiently with a mobile shelving system, that :

- A. Save Money
- B. Boost Efficiency
- C. Improve Your Working Environment

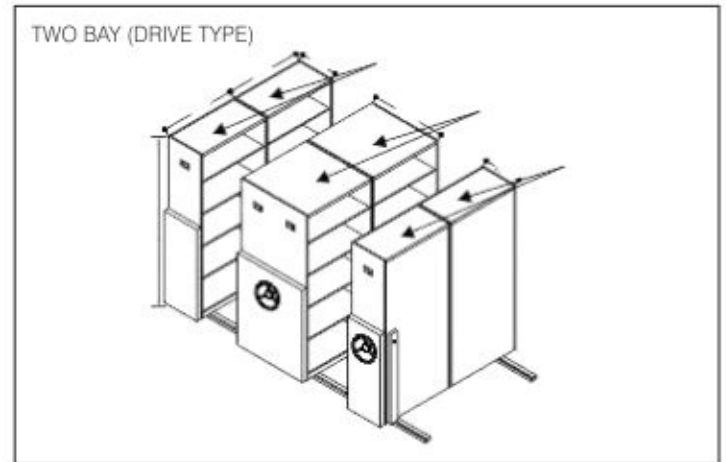


### ONE BAY (DRIVE TYPE)



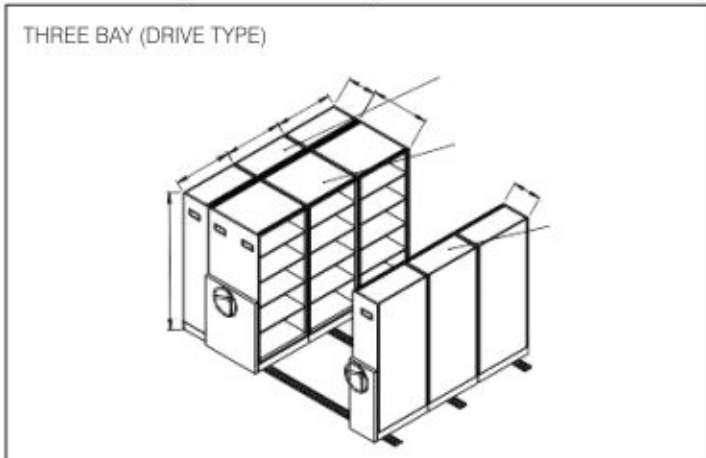
Draw - 5

### ONE BAY (DRIVE TYPE)



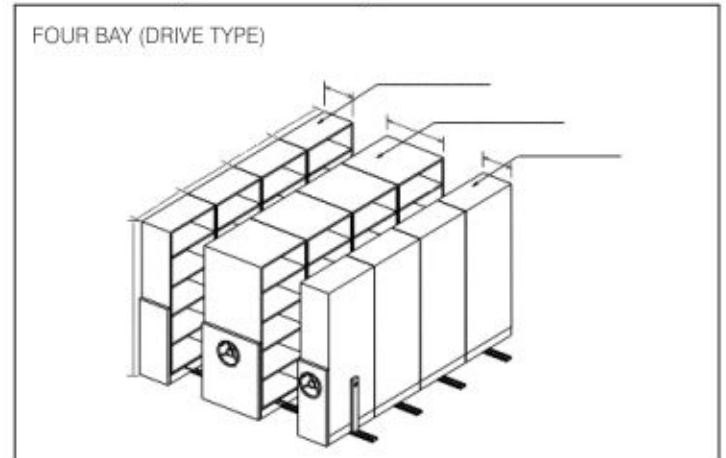
Draw - 6

### THREE BAY (DRIVE TYPE)



Draw - 7

### FOUR BAY (DRIVE TYPE)



Draw - 8



**SGI - 1001**

Corner Sofa with Longer 11 Seater



**SGI - 1002**

Corner Sofa with Longer 11 Seater



**SGI - 1003**

Corner Sofa 7 Seater



**SGI - 1004**

Corner Sofa 7 Seater



**SGI - 1005**

Corner Sofa 6 Seater



**SGI - 1006**

Corner Sofa 7 Seater



**SGI - 1007**  
Corner Sofa 7 Seater



**SGI - 1008**  
Corner Sofa 7 Seater



**SGI - 1009**  
Corner Sofa 5 Seater



**SGI - 1010**  
Corner Sofa 5 Seater



**SGI - 1011**  
Corner Sofa 6 Seater



**SGI - 1012**  
Corner Sofa 6 Seater



**SGI - 1013**

Corner Sofa with Longer 6 Seater



**SGI - 1014**

Corner Sofa with Longer 6 Seater



**SGI - 1015**

Corner Sofa with Longer 8 Seater



**SGI - 1016**

Corner Sofa 7 Seater



**SGI - 1017**

Corner Sofa 7 Seater



**SGI - 1018**  
Sofa 3+1+1



**SGI - 1019**  
Sofa 3+1+1



**SGI - 1020**  
Sofa 3+1+1



**SGI - 1021**  
Sofa 3+1+1



**SGI - 1022**  
Sofa 3+1+1



**SGI - 1023**  
Sofa 3+1+1





**SGI - 1024**

Sofa 3+1+1



**SGI - 1025**

Sofa 3+1+1



**SGI - 1026**

Sofa 3+1+1



**SGI - 1027**

Sofa 3+1+1



**SGI - 1028**

Sofa 3 Seater



**SGI - 1029**

Sofa 3+1+1



**SGI - 1030**  
Sofa 3+2+1



**SGI - 1031**  
Sofa 3+2



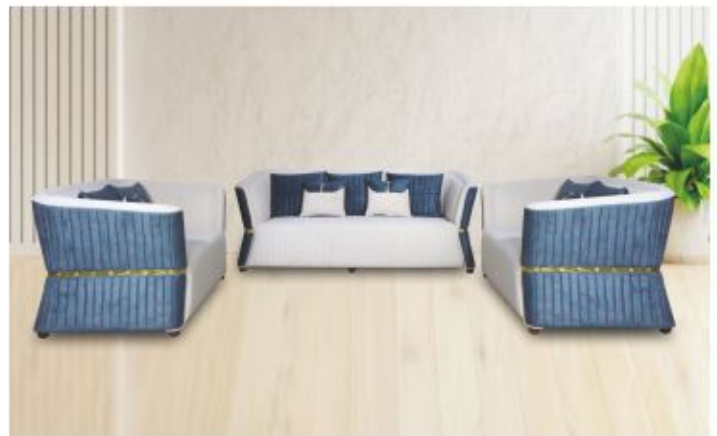
**SGI - 1032**  
Sofa 3+1+1



**SGI - 1033**  
Sofa 3+1+1



**SGI - 1034**  
Sofa 3+2+2



**SGI - 1035**  
Sofa 3+2+2



**SGI - 1036**

Sofa Cum Bed Longer with Trolley



**SGI - 1037**

Sofa Cum Bed with Hydrolic



**SGI - 1038**

Sofa Cum Bed Longer with Trolley



**SGI - 1039**

Sofa Cum Bed 3 Fold



**SGI - 1040**

Sofa Cum Bed



**SGI - 1041**

Sofa Cum Bed



**SGI - 1042**  
Recliner 1 Seater



**SGI - 1043**  
Recliner 1 Seater



**SGI - 1044**  
Recliner 3+1+1 Seater



**SGI - 1045**  
Recliner 3 Seater



**SGI - 1046**  
Recliner 1 Seater



**SGI - 1047**  
Sofa 3+2+1



**SGI - 1048**  
Sofa 3+2+1



**SGI - 1049**  
Sofa 3+2+1



**SGI - 1050**  
Sofa 3+2+1



**SGI - 1051**  
Sofa 3+2+1



**SGI - 1052**  
Sofa 3+2+1



**SGI - 1053**  
Sofa 3+2+1



**Sgi - 1054**  
Sofa 3+2+1



**Sgi - 1055**  
Sofa 3+2+1



**Sgi - 1056**  
Sofa 3+2+1



**Sgi - 1057**  
Sofa 3+2+1



SGI - 1058



SGI - 1059



SGI - 1060



**SGI - 1061**  
Sofa 3+1+1



**SGI - 1062**  
Sofa 3+1+1



**SGI - 1063**  
Sofa 3+1+1



**SGI - 1064**  
Sofa 3+1+1



**SGI - 1065**  
Sofa 3+2+1



SGI - 3001



SGI - 3002



SGI - 3003



SGI - 3004



SGI - 3005



SGI - 3006



SGI - 3007



SGI - 3008



SGI - 3009



SGI - 3010



SGI - 3011



SGI - 3012



SGI - 3013



SGI - 3014



**SGI-BS- 501**



**SGI-BS- 502**



**SGI-BS- 503**



**SGI-BS- 504**



**SGI-BS- 505**



**SGI-BS- 506**



**SGI-BS- 507**



**SGI-BS- 508**



**SGI-BS- 509**



**SGI-BS- 510**



**SGI-BS- 511**



**SGI-BS- 512**



**SGI-BS- 513**



**SGI-BS- 514**



**SGI-BS- 515**



**SGI-BS- 516**



**SGI-BS- 517**





**SGL - 01**  
2 Door Plain Wardrobe



**SGL - 02**  
2 Door Wardrobe with Mirror



**SGL - 03**  
3 Door Dressing Wardrobe



**SGL - 04**  
3 Door Wardrobe with Mirror



**Sgi - 05**  
3 Door Plain Wardrobe



**Sgi - 06**  
4 Door Wardrobe with Mirror



**Sgi - 07**  
4 Door Wardrobe with Shoe Drawer



**Sgi - 08**  
5 Door Wardrobe with Mirror



**SGI - 09**  
2 Door Sliding Wardrobe



**SGI - 010**  
2 Door Sliding Wardrobe



**SGI - 011**  
6 Door Dressing Wardrobe



**SGI - 012**  
2 Door Slidin Wardrobe with Shoe Drawer



**SGI - MK4001**  
Modular Kitchen 1



**SGI - MK4002**  
Modular Kitchen 2



**SGI - MK4003**  
Modular Kitchen 3



**SGI - MK4004**  
Modular Kitchen 4



**SGI - MK4005**  
Modular Kitchen 5



**SGI - MK4006**  
Modular Kitchen 6



SGI - MK4007



SGI - MK4008



SGI - MK4009



SGI - MK4010



SGI - MK4011



SGI - MK4012



SGI - MK4013



SGI - MK4014



SGI - MK4015



**Sgi-MS-1001**  
Magazine Stand  
Size - 900x450x1800



**Sgi-MS-1002**  
Magazine Stand  
Size - 750x400x1500



**Sgi-MS-1003**  
Newspaper Stand  
Size - 900x600x1200



**Sgi-LS-1004**  
Lecture Stand  
Size - 900x450x1800



**Sgi-LS-1005**  
Lecture Stand  
Size - 600x450x1200



**Sgi-LS-1006**  
Lecture Stand  
Size - 600x450x1200



**Sgi-SR-1007**  
Shoe Rack  
Size - 900x380x600



**Sgi-SR-1008**  
Shoe Rack  
Size - 800x380x450



**Sgi-SR-1009**  
Shoe Rack  
Size - 800x380x450



# SHREE BALAJI COLLECTION ENTERPRISES

QUALITY FURNITURE • SMART SOLUTIONS • STRONGER WORKSPACES



OFFICE CHAIRS



OFFICE TABLES



FILING CABINETS



STEEL ALMIRAH



RACKS



BOOKCASES



WORKSTATIONS

- PREMIUM QUALITY
- DURABLE & RELIABLE
- MODERN DESIGNS
- CUSTOM SOLUTIONS

D-11/51, 1st Floor, Site-5, Kasna Industrial Area, Greater Noida – 201308

+91-7838490127 | +91-9354083421 | +91-7838532676 | +91-9368866957

shreebalaji\_collection@yahoo.com



## SPACES THAT WORK. FURNITURE THAT LASTS.

Premium Office Furniture Solutions for  
Corporate Offices, Government Departments  
& Public Institutions.

- BUILT FOR DURABILITY
- DESIGNED FOR COMFORT
- GOVERNMENT APPROVED QUALITY
- RELIABLE. PROFESSIONAL. TIMELESS.

EXPLORE OUR COLLECTION

- COMPLETE OFFICE FURNITURE SOLUTIONS
- MODERN WORKSPACES FOR MAXIMUM PERFORMANCE
- STEEL FILING CABINETS FOR SECURE STORAGE
- COMPUTER TABLES & WORKSTATIONS FOR EVERY NEED
- IDEAL FOR CORPORATE, GOVERNMENT & PUBLIC SECTORS

shreebalaji\_collection@yahoo.com

+91-7838490127  
+91-7838532676

+91-9354083421  
+91-9368866957

Visit our showroom during business hours  
and experience workspace solutions  
designed for the future.



# SHREE BALAJI COLLECTION ENTERPRISES



ADDRESS: Factory Address: D-11/51, 1st Floor, Site-5,  
Kasna Industrial Area, Greater Noida – 201308



WEBSITE: [www.chrzo.in](http://www.chrzo.in)



EMAIL: [shreebalaji\\_collection@yahoo.com](mailto:shreebalaji_collection@yahoo.com)



CONTACT: +91-7838490127, +91-9354083421, +91-7838490127