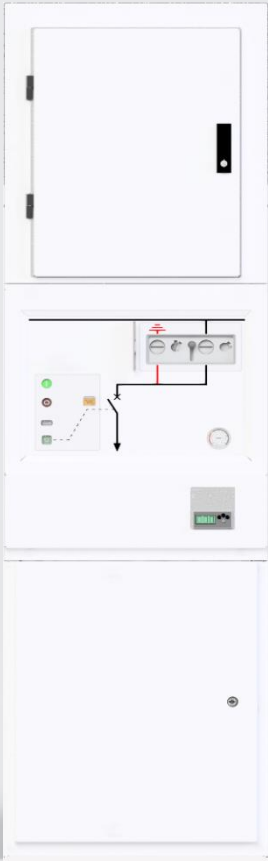


nu1 - Dry Air GIS

Primary Distribution up to 36 kV



Nuventura’s nu1 gas-insulated switchgear (GIS) replaces SF₆ – the world’s strongest greenhouse gas – using climate-friendly **dry air** insulation.

This has been achieved while maintaining SF₆-GIS’ benefits:

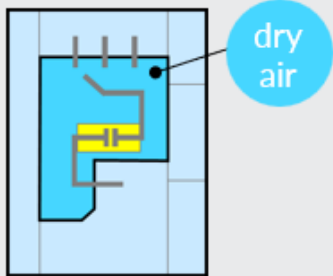
- ✓ Compact dimensions
- ✓ High reliability
- ✓ Maintenance-free design

Our business model makes it possible for **switchgear manufacturers to expand their own product portfolios** by either licensing our IP or buying core modules to integrate into their own designs.

Our **products are also available for deployment in projects** by end-users or EPCs i.e. for utility, industry, or renewable applications.

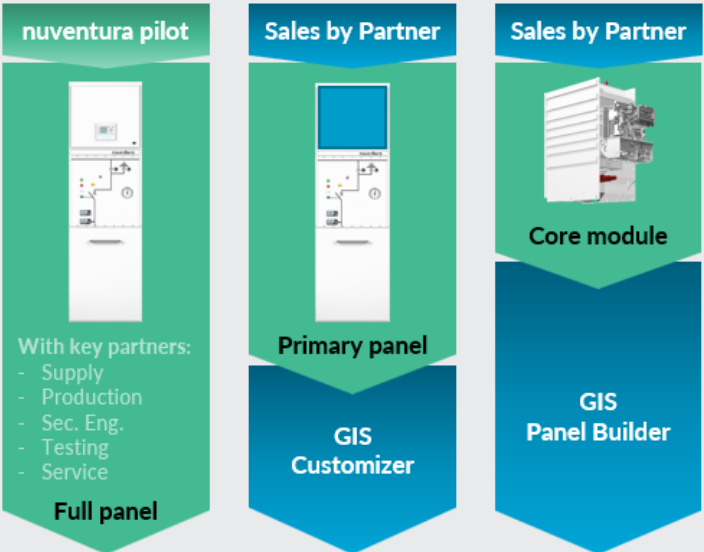
Dry Air GIS technology
combining the best of SF₆-GIS and AIS

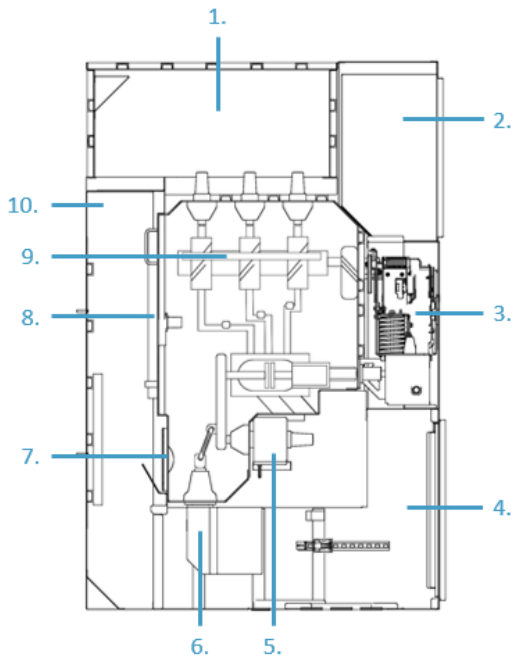
For everyone
Panel builders & OEMs, End-users & EPCs



Dry air GIS

- ✓ 100% dry-air insulation
- ✓ As compact as SF₆-GIS
- ✓ Sealed from ambient impacts
- ✓ Maintenance-free



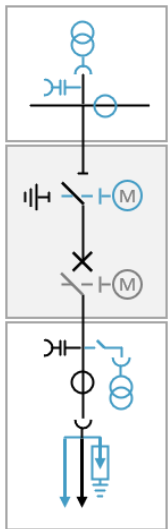


- | | |
|----------------------------|--------------------------------|
| 1. Busbar compartment | 6. Voltage Transformers |
| 2. Low Voltage Compartment | 7. Pressure Relief disc |
| 3. Drive Compartment | 8. Gas Tank Door |
| 4. Cable Compartment | 9. Three-Position Disconnecter |
| 5. Current Transformer | 10. Pressure Relief Duct |

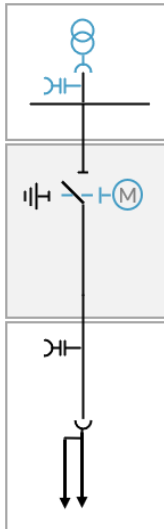
Technical data acc. to IEC 62271-200

Rated voltage	kV	24	36
Testing voltage (PF/Impulse)	kV	50/125	70/170
Rated frequency	Hz	50/60	50/60
Rated busbar current	A	1250/2000	
Rated feeder current	A	1250/2000	
Rated short time current	kA	31.5 (3s)	31.5 (3s)
Internal arc protection AFLR	kA	31.5 (1s)	31.5 (1s)
Dry air insulation medium			
Filling pressure (rel.)	bar	1.8 at 20 °C	
Min. operating pressure (rel.)	bar	1.6 at 20 °C	
Operating temperature	°C	-5 ... +40	
Dimensions			
Width	mm	650	650
Height	mm	2300	2300
Depth	mm	1500	1500

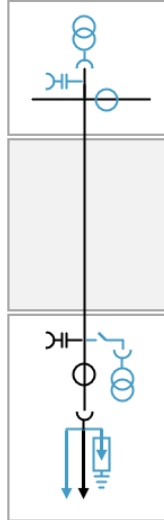
Circuit-breaker panel



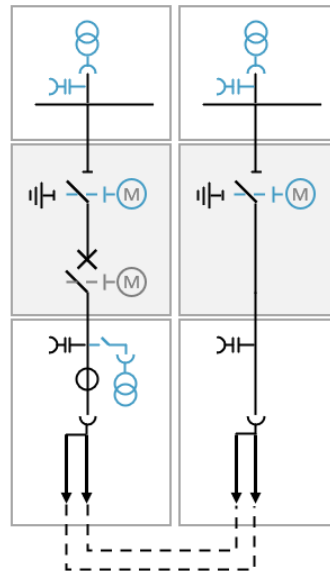
Disconnecter panel



Direct connection panel



Bus sectionalizer panel



Other variants

- ✓ Busbar earthing
- ✓ Metering panel