

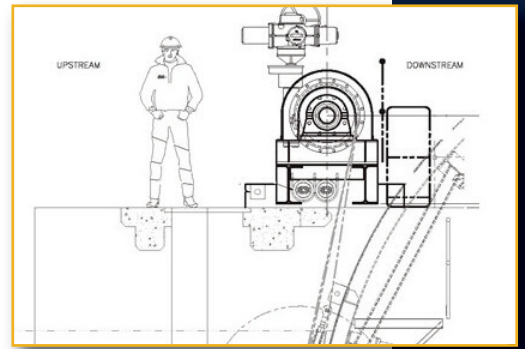
# THORDON SXL BEARINGS USED FOR GREASE-FREE TAINTER GATE CHAIN HOIST

## THORDON SXL BEARINGS

- Excellent abrasion resistance
- Self lubricated bearings eliminate risk of grease or oil pollution
- Elastomer bearing shell allows better load distribution over the bearing surface and has a high resistance to shock loading and vibration
- No automatic greasing systems or frequent maintenance required to maintain safe operation of equipment

## THORDON SPLIT PILLOW BLOCK DESIGN

- Split pillow block design allows for easy replacement of SXL bearing inserts
- Flexible SXL elastomer bearing accommodates shaft flex and high edge loading without requiring complex self-aligning or spherical design features
- SXL thrust washers on either side of the pillow blocks provide positioning and alignment support for the multi-segment shaft



*Thordon Bearings Inc. designs and manufactures a complete range of high performance, long lasting bearing system designs that require no oil or grease. We offer main shaft guide bearings, wicket gate and operating mechanism bearings and radial and axial shaft seals. Recognized internationally for superior performance in clean power generation applications, Thordon has a worldwide customer service network in over 100 countries*



ZERO POLLUTION | HIGH PERFORMANCE | BEARING & SEAL SYSTEMS

# THORDON

THORDON BEARINGS INC.

3225 Mainway, Burlington, Ontario L7M 1A6 Canada

Tel: +1.905.335.1440 Fax: +1.905.335.4033 [www.ThordonBearings.com](http://www.ThordonBearings.com)