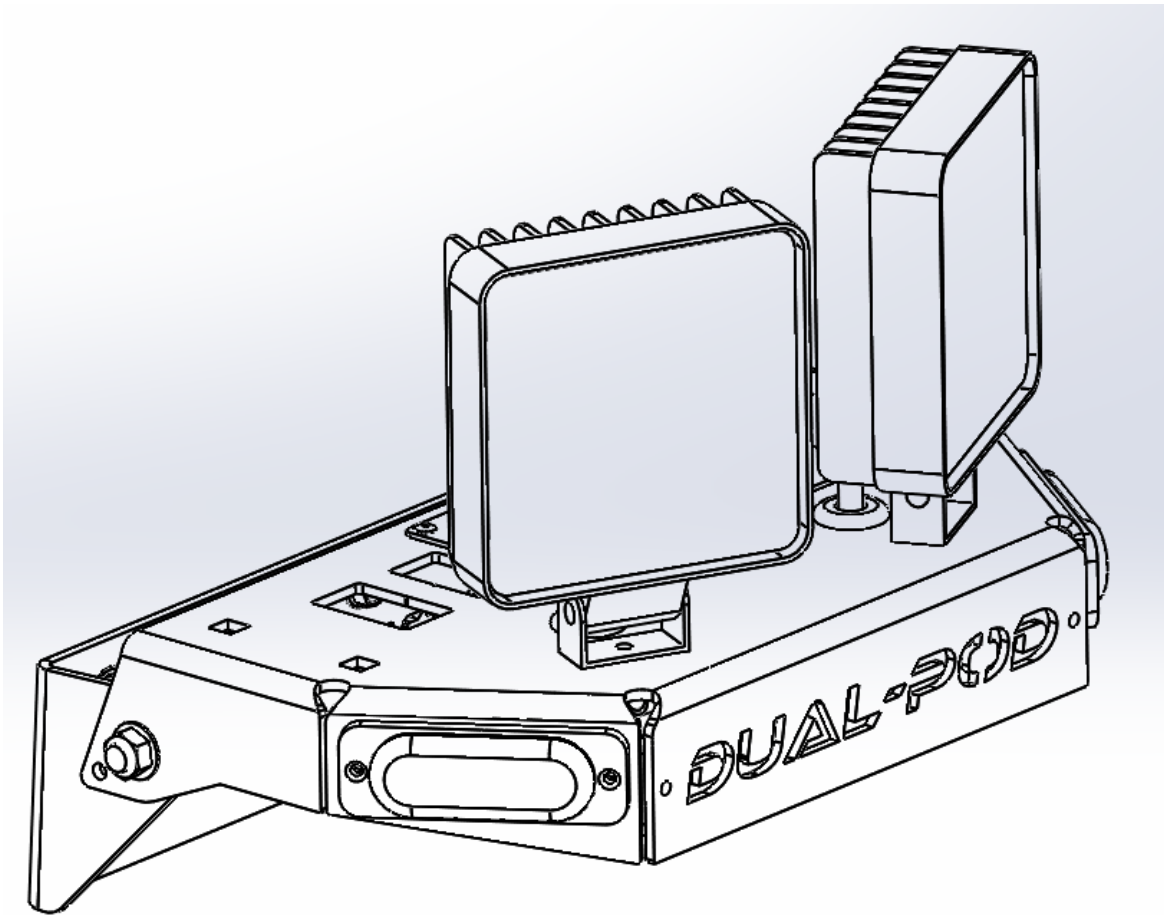




899 Airport Park Road Suite E
Glen Burnie, MD 21061
United States

Installation Instructions

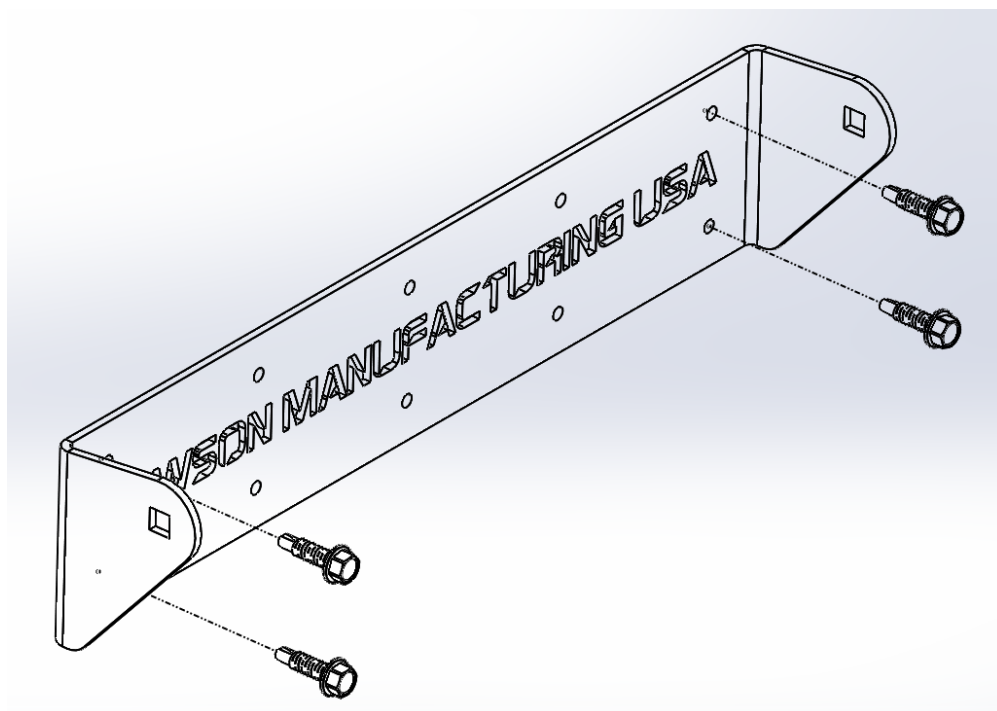
DUAL-POD



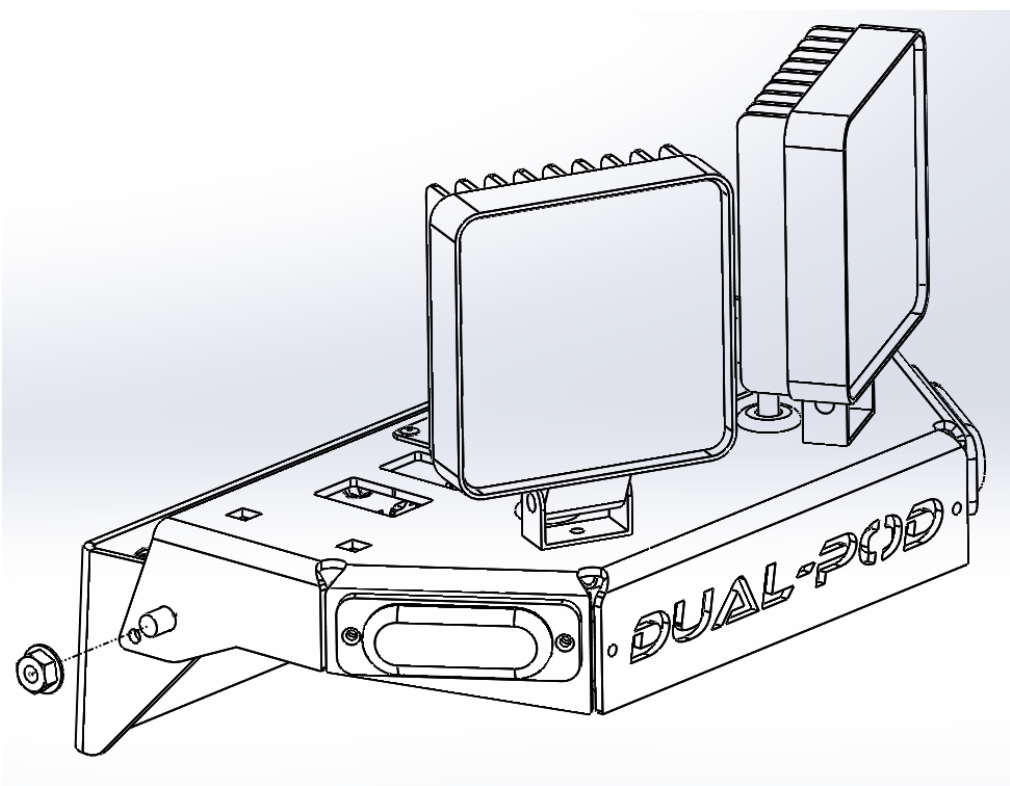
Tools Needed

- 1/2in Wrench/Socket
- 3/8in Wrench/Socket

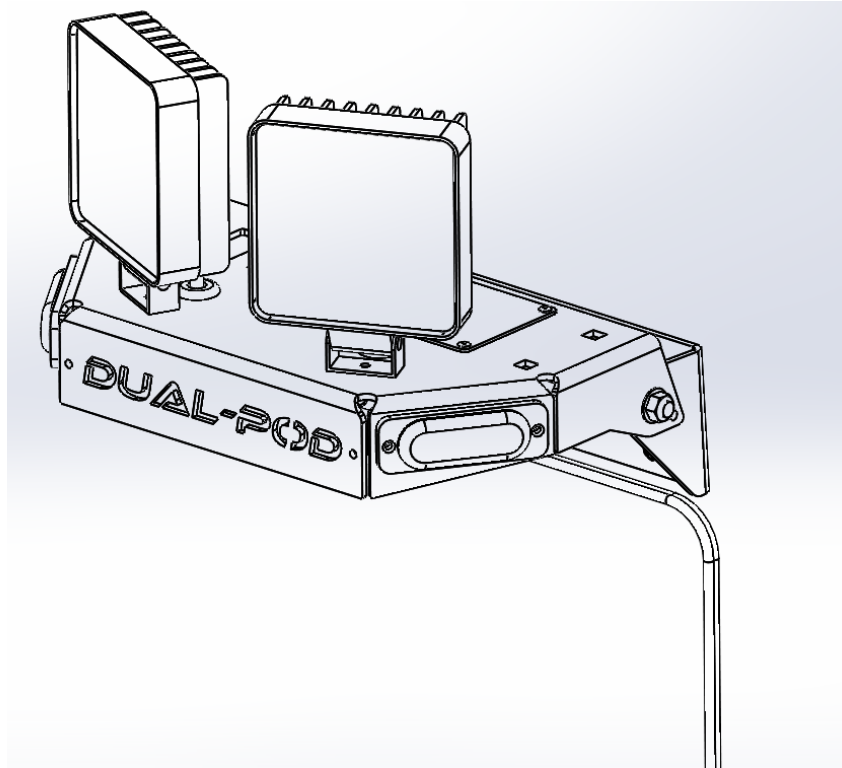
1. Attach the mounting bracket to the mower using the (4) provided self drilling/tapping screws or rivets at your desired location. Make sure to check behind the panel you are attaching to and avoid any mechanical or electrical components.



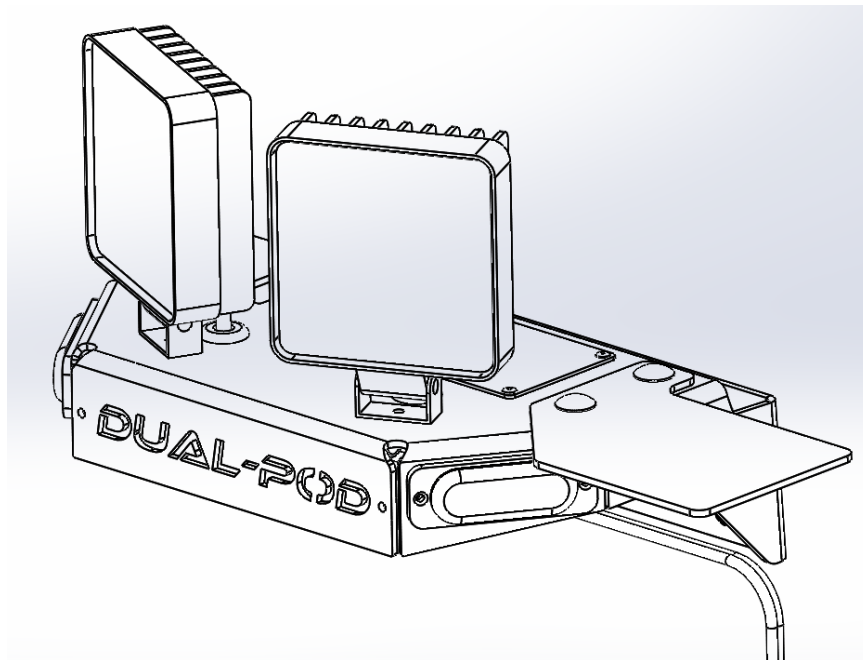
2. Mount the main Dual-Pod light assembly to the mounting bracket using the provided 2 carriage bolts (5/16-18 x .75in) and flange nuts. Level the light assembly and tighten the nuts/bolts so it does not move.



3. Using the provided zip ties, route the wiring to the battery of the mower and connect the red wire to the positive (+) terminal and the black wire to the negative (-) terminal. Make sure the wires avoid any moving parts that can pinch them and any engine parts that can get hot.



4. (Optional Add-on) Install the optional steel side accessory mount plate to either side as shown. This can be used to add phone mounts and other accessories.



Dawson Manufacturing Warranty

What this warranty covers:

This warranty covers defects in material and workmanship except as set forth below.

Who is covered:

The original purchaser from an authorized dealer.

For how long:

Complete Product: 1 year from the date of purchase.

Labor: 1 year from the date of purchase for the complete product.

Parts: 1 year from the date of purchase. (no Labor)

What Dawson Manufacturing will do:

Dawson Manufacturing will, at its sole option, repair or replace defective parts at no charge.

What you must do for warranty service:

To obtain warranty service, the purchaser must return the defective product to any authorized Dawson Manufacturing dealer (preferably the one from whom the product was purchased) within the warranty period. Purchaser must be able to verify the original purchase date. All transportation costs to and from the dealer will be the responsibility of the purchaser.

What is not covered:

1. Products repaired or altered by anyone other than an authorized Dawson Manufacturing dealer.
2. Products which have been subject to misuse, negligence, accident, improper installation, maintenance, care, or storage.
3. Dawson Manufacturing does not assume liability for damage to your equipment resulting from the attachment or use of any Dawson Manufacturing. Equipment risk is the sole responsibility of the purchaser.

Limits of Dawson Manufacturing Liability are:

Dawson Manufacturing's liability is expressly limited to repair or replacement of defective parts. Dawson Manufacturing shall not be liable for consequential, incidental, or contingent damages whatsoever, even if damages are caused by the negligence or fault of Dawson Manufacturing. The foregoing warranties are exclusive and in lieu of all other express and implied warranties including, but not limited to, the implied warranties of merchantability and fitness for a particular purpose.