

4

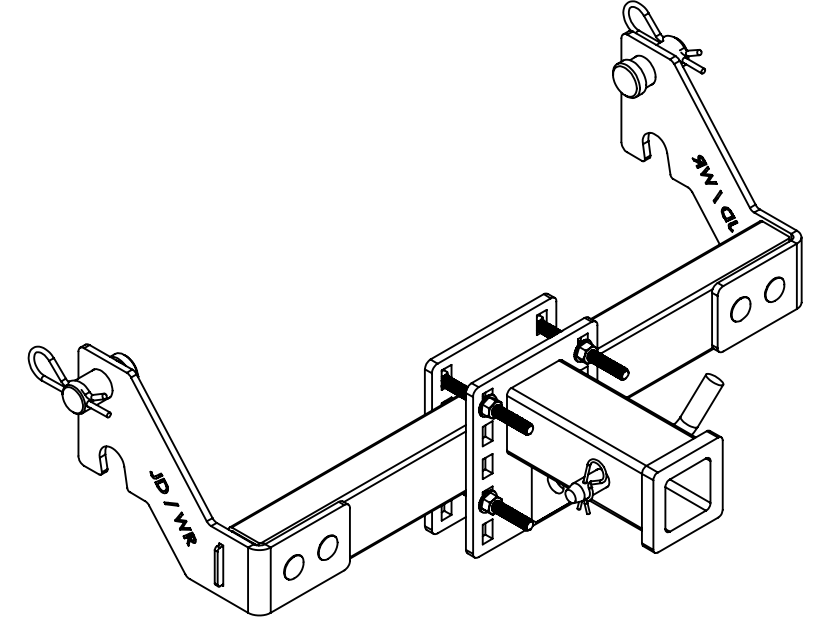
3

2

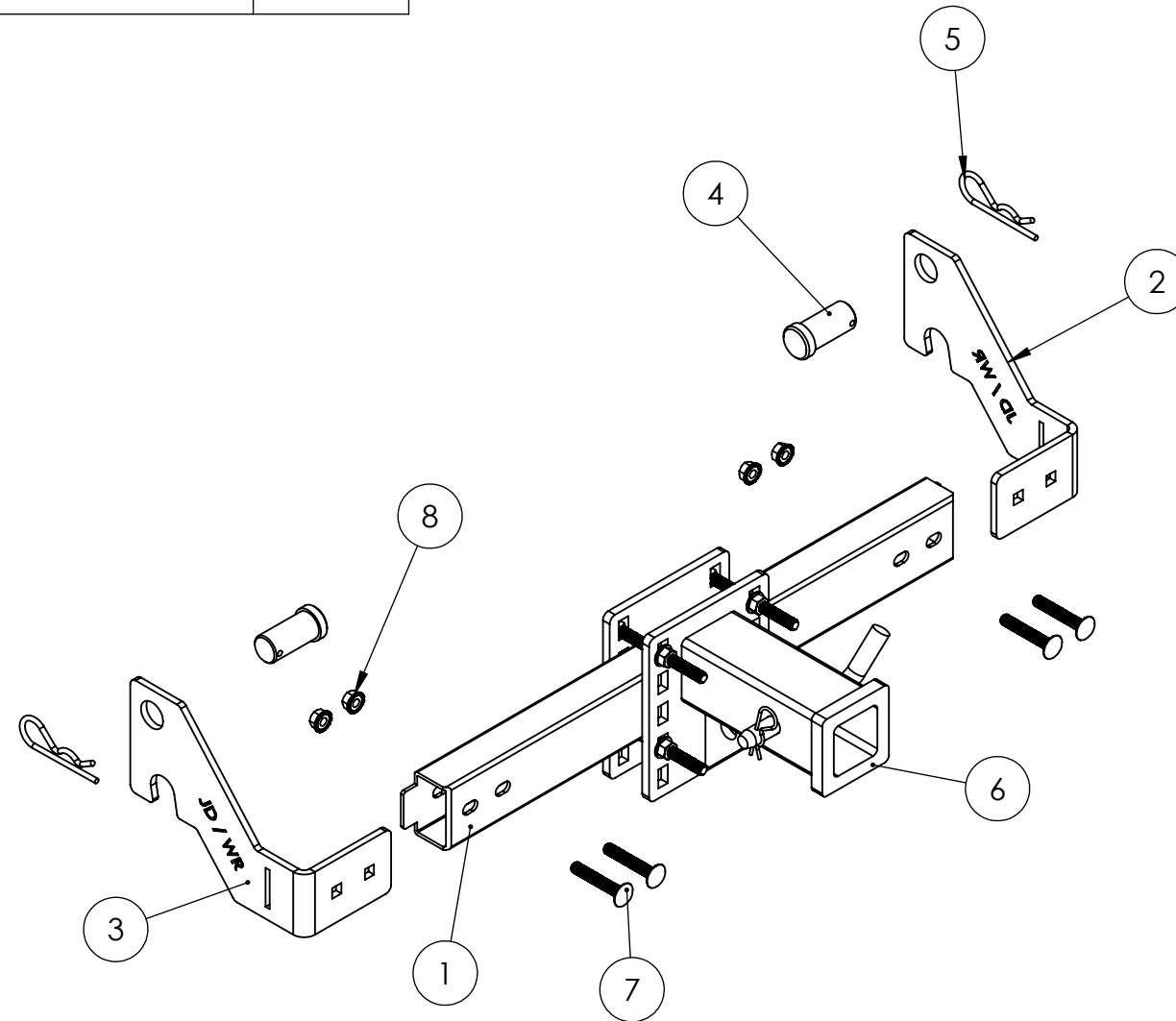
1

ITEM NO.	PART NUMBER	DESCRIPTION	QTY.
1	M09-10739	Hitch Mate JD 652 Rear, Rect Tube	1
2	M09-10659	HITCH MATE SIDE SUPPORT, JOHN DEERE/WRIGHT, 661R/STX GEN 1	1
3	M09-10649	HITCH MATE SIDE SUPPORT, JOHN DEERE/WRIGHT, 661R/STX GEN 1	1
4	H09-10236	Clevis Pin 1" Diameter, 1-11/16" Usable Length	2
5	H09-10237	Cotter Pins 3/4" to 1-1/16" Clevis Pin Diameter, .172" Wire Diameter	2
6	HM-FLT-UNV	STANDARD FLAT HITCH RECEIVER	1
7	H09-10215	3/8-16 x 2.25" Carraige Bolt	4
8	H09-10008	3/8"-16 FLANGE LOCKNUT	4

REVISIONS				
ZONE	REV.	DESCRIPTION	DATE	NAME
	A	ORIGINAL RELEASE	8/26/2021	JL



HITCH MATE MOUNT LOCATION



DO NOT SCALE DRAWING		DIMENSIONS ARE IN INCHES TOLERANCES: ANGULAR: MACH ± 0.5 BEND ± 1 ONE PLACE DECIMAL ± .050 TWO PLACE DECIMAL ± .025 THREE PLACE DECIMAL ± .005		3RD ANGLE PROJECTION	TITLE: HITCH MATE, JOHN DEERE, 652R, REAR	PATENT PENDING		
PROPRIETARY AND CONFIDENTIAL THE INFORMATION CONTAINED IN THIS DRAWING IS THE SOLE PROPERTY OF DAWSON MANUFACTURING. ANY REPRODUCTION IN PART OR AS A WHOLE WITHOUT THE WRITTEN PERMISSION OF DAWSON MANUFACTURING IS PROHIBITED.		MATERIAL SEE BOM		FINISH		SIZE B	PART NO. HM-JD-652R-R	REV A
						SCALE: 1:6	WEIGHT: 23.82 lbs	SHEET 1 OF 1

4

3

2

1

B

B

A

A