

4

3

2

1

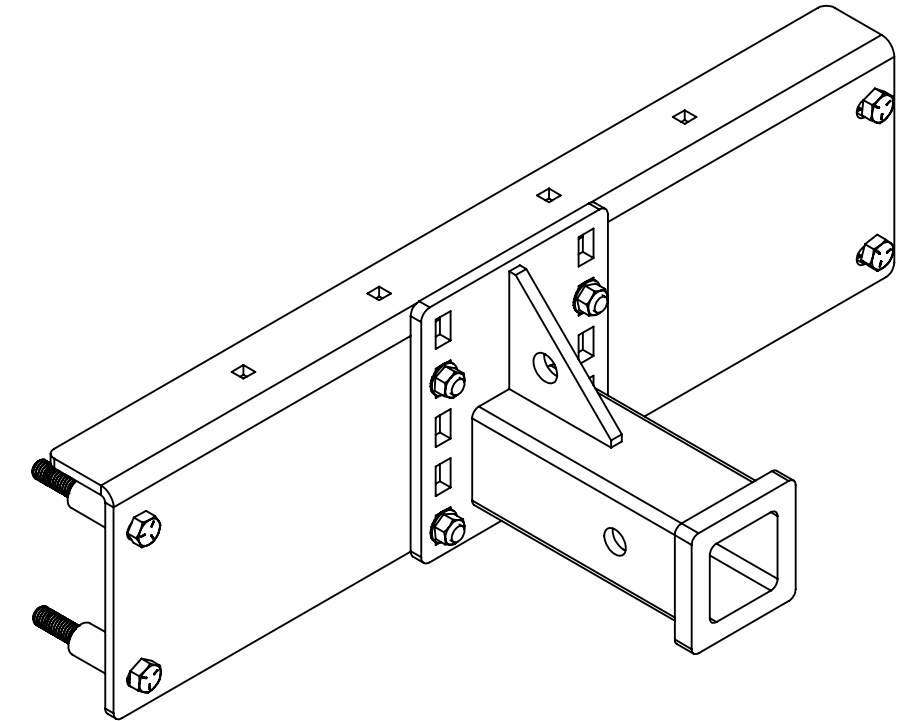
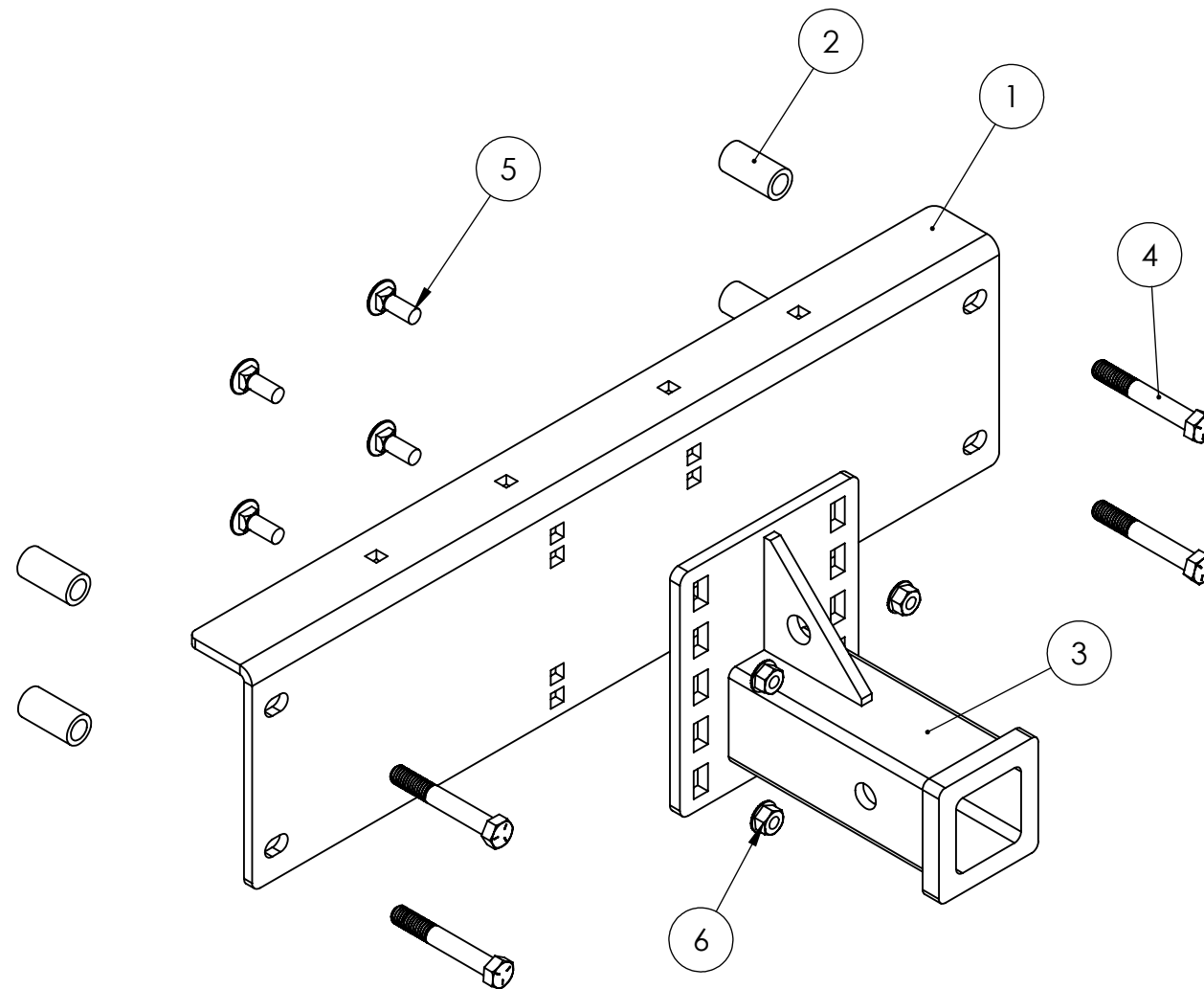
ITEM NO.	PART NUMBER	DESCRIPTION	QTY.
1	M09-10837	HITCH MATE SCAG CHEETAH FRONT PLATE	1
2	M09-10838	0.5" ID, 0.75" OD, 1.5" Long, Spacer	4
3	A09-10088	STANDARD FLAT HITCH RECEIVER	1
4	H09-10279	7/16-14 X 3" HEX BOLT	4
5	H09-10003	3/8"-16 X 1" CARRIAGE BOLT	4
6	H09-10008	3/8"-16 FLANGE LOCKNUT	4

REVISIONS				
ZONE	REV.	DESCRIPTION	DATE	NAME
	A	ORIGINAL RELEASE	3/28/2022	JL



HITCH MATE MOUNT LOCATION

\*REMOVE THE CENTER 4 BOLTS ON THE FRONT OF THE MOWER AND REPLACE WITH THE PROVIDED BOLTS AND SPACERS TO MOUNT THE HITCH



DO NOT SCALE DRAWING  
 PROPRIETARY AND CONFIDENTIAL  
 THE INFORMATION CONTAINED IN THIS DRAWING IS THE SOLE PROPERTY OF DAWSON MANUFACTURING. ANY REPRODUCTION IN PART OR AS A WHOLE WITHOUT THE WRITTEN PERMISSION OF DAWSON MANUFACTURING IS PROHIBITED.

DIMENSIONS ARE IN INCHES  
 TOLERANCES:  
 ANGULAR: MACH 0.5 BEND 1  
 ONE PLACE DECIMAL .050  
 TWO PLACE DECIMAL .025  
 THREE PLACE DECIMAL .005

3RD ANGLE PROJECTION  
 MATERIAL: SEE BOM  
 FINISH:

TITLE:  
**HITCH MATE, SCAG, CHEETAH, FRONT**

PATENT PENDING		
SIZE	PART NO.	REV
<b>B</b>	<b>HM-SCAG-CH-F</b>	<b>A</b>
SCALE: 1:4	WEIGHT: 20.86 lbs	SHEET 1 OF 1

4

3

2

1