

4

3

2

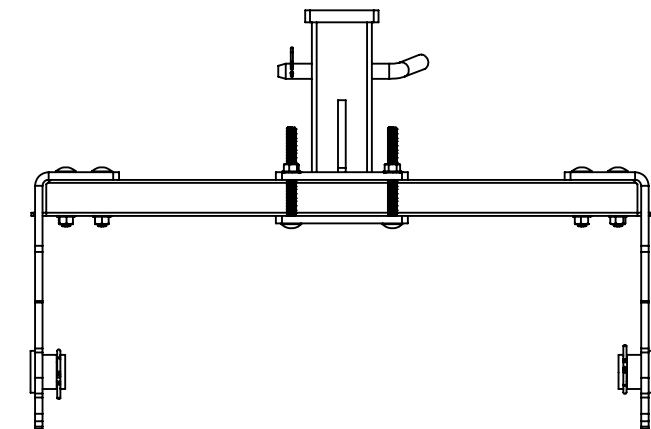
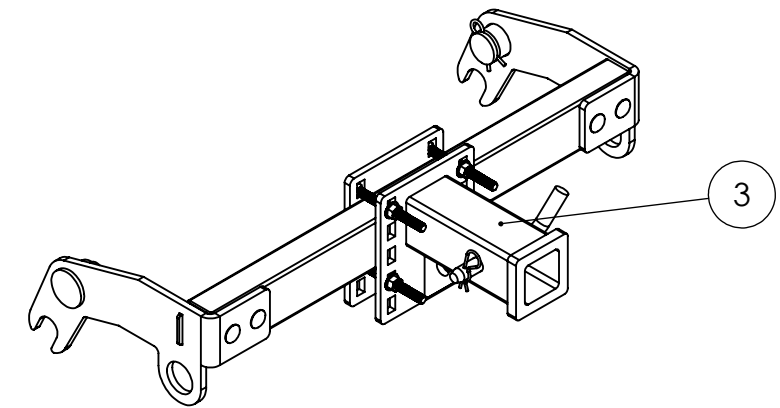
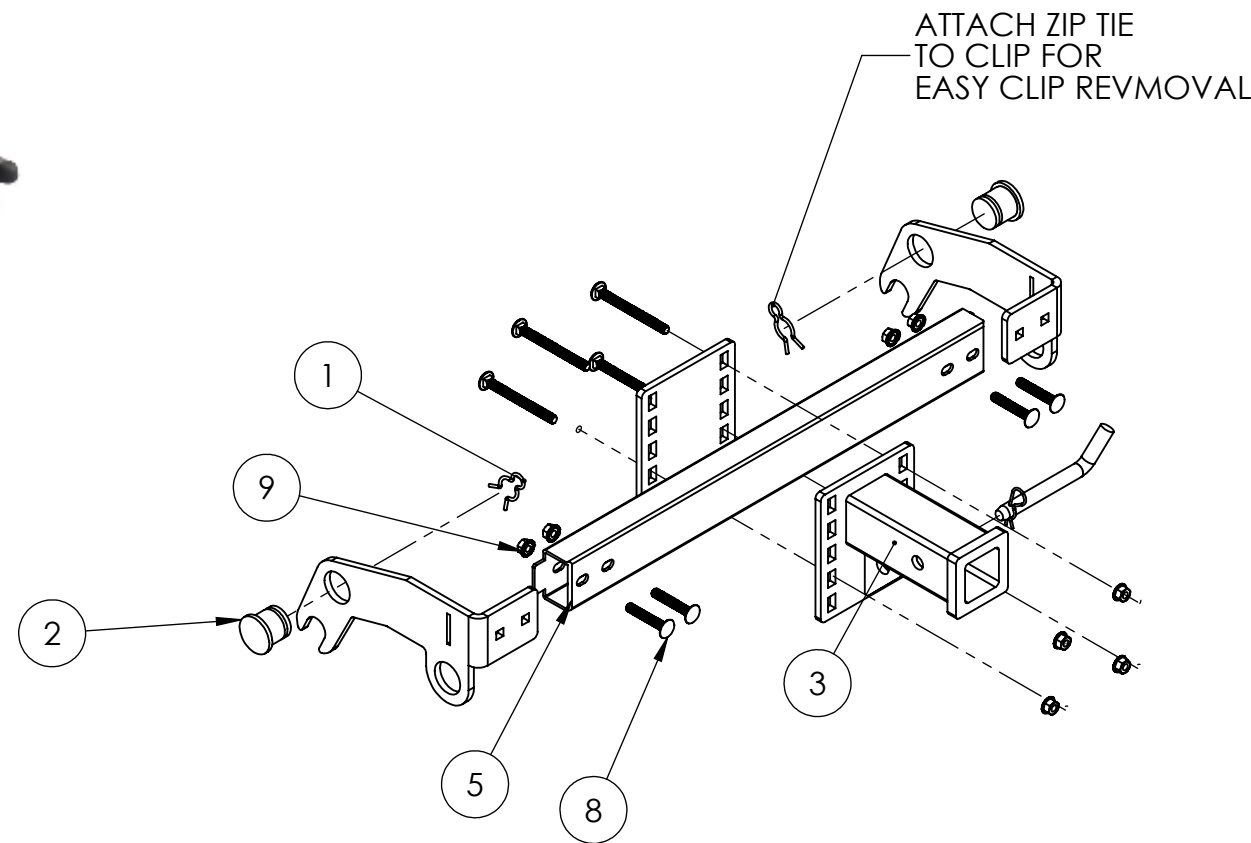
1

ITEM NO.	PART NUMBER	DESCRIPTION	QTY.
1	H09-10193	LOCKING CLIP	2
2	M09-10305	Hitch Mate 1.5in Pin	2
3	HM-FLT-UNV	STANDARD FLAT HITCH RECEIVER	1
4	Wright ZK	ZK MOWER	1
5	M09-10513	ZK Hitch Mate Rect Tube	1
6	M09-10511	HITCH MATE SIDE SUPPORT, WRIGHT, ZK	1
7	M09-10512	HITCH MATE SIDE SUPPORT, WRIGHT, ZK	1
8	H09-10215	3/8-16 x 2.25" Carraige Bolt	4
9	H09-10008	3/8"-16 FLANGE LOCKNUT	4

REVISIONS				
ZONE	REV.	DESCRIPTION	DATE	NAME
	A	ORIGINAL RELEASE	6/4/2020	JL



HITCH MATE MOUNTING LOCATION



DO NOT SCALE DRAWING

PROPRIETARY AND CONFIDENTIAL

THE INFORMATION CONTAINED IN THIS DRAWING IS THE SOLE PROPERTY OF DAWSON MANUFACTURING. ANY REPRODUCTION IN PART OR AS A WHOLE WITHOUT THE WRITTEN PERMISSION OF DAWSON MANUFACTURING IS PROHIBITED.

DIMENSIONS ARE IN INCHES

TOLERANCES:

ANGULAR: MACH ± 0.5 BEND ± 1

ONE PLACE DECIMAL ± .050

TWO PLACE DECIMAL ± .025

THREE PLACE DECIMAL ± .005

3RD ANGLE PROJECTION

MATERIAL SEE BOM

FINISH

TITLE:

HITCH MATE WRIGHT STANDER ZK REAR

PATENT PENDING

SIZE	PART NO.	REV
B	HM-WRT-STZK-R	A

SCALE: 1:8 WEIGHT: 31.95 lbs SHEET 1 OF 1

4

3

2

1

B

B

A

A