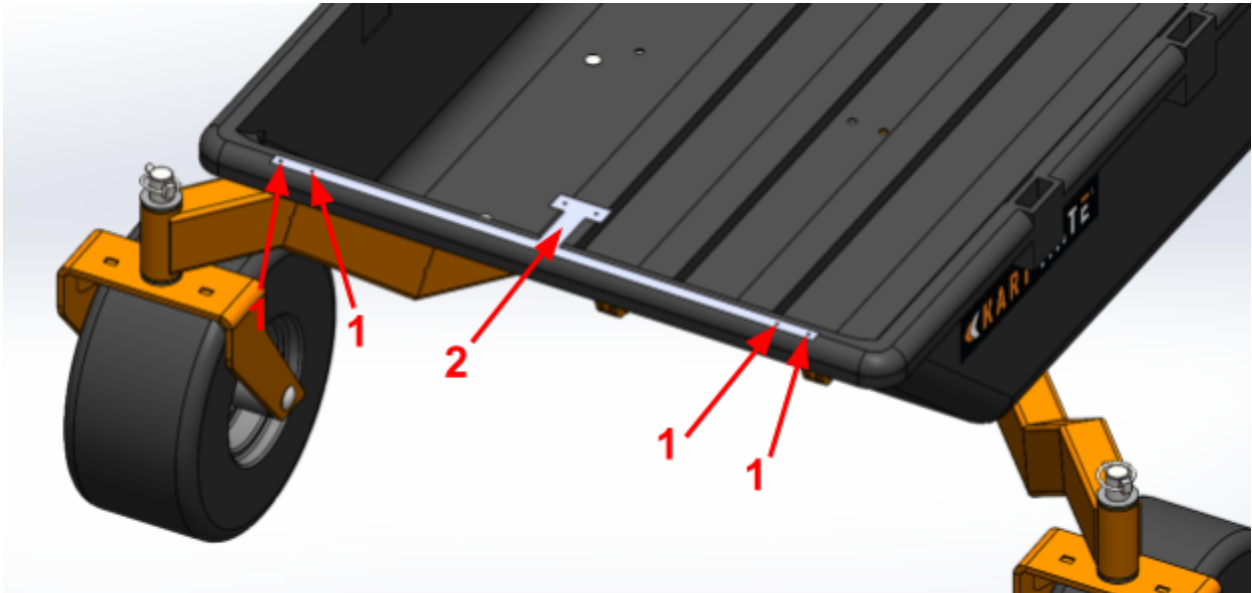


Kart Mate Double Dump Assembly Instructions

Tools Needed

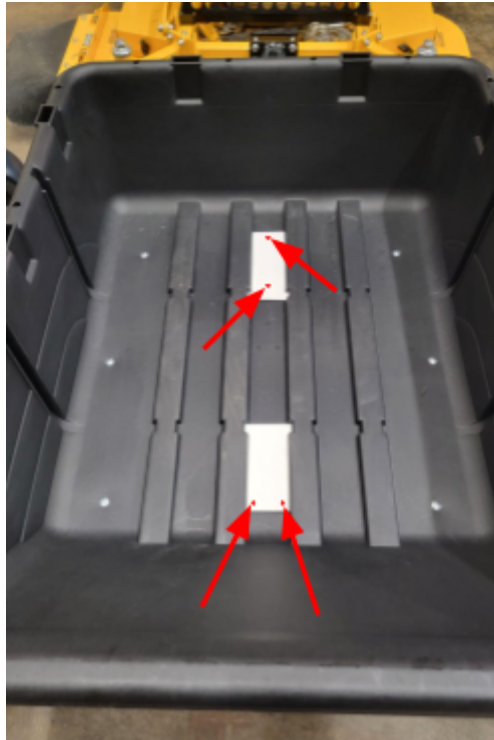
- 1/2in Socket
- 9/16in Socket
- 9/16in Wrench
- 1/8" Drill Bit
- 5/16" Drill Bit
- Drill
- Impact Drill

1. If Kart Mate is already assembled. Remove tub from frame, by remove the 6 carriage bolts
2. Place Template 1 onto the front lip of the tub. **Make sure it is centered on the tub.** Tape the template down to hold it in place. Using an 1/8" drill bit to drill the 4 holes (2 on each side).



3. Fold down the tab in the center and drill out the 2 holes on the tab with a 1/8" drill bit.

4. Place the 2 other templates in the tub as shown, and drill the holes with the $\frac{1}{8}$ " drill bit.



5. Drill all of the holes to $\frac{5}{16}$ "
6. Place the metal bracket shown below on the front lip of the tub and put the short carriage bolts through the holes. Make sure the notch in the plate is on the front. Do this on both sides.



7. Flip the tub up/over and install the 2 pivot brackets under the front lip of the tub, sharing the bolts installed in the previous step.



8. Drill out the front 2 holes to 5/16" on the bracket installed in step 6.



9. Install and tighten the carriage bolts in the holes drilled in the previous step



10. Install the plate and bolts inside the tub as shown below



11. Thread the nylon strap through the bracket shown below so that about an 1in of material sticks out. Bolt the plate underneath the tub sharing the bolts of the plate installed in the previous step. Make sure the long end of the strap sticks out towards the front of the tub.



12. Install the 2 bolts in the holes drilled in step 3 so that the head of the bolt is on the inside of the tub. Tighten down the nuts onto the bolts so that the shoulder of the bolt head is pulled into the plastic.



13. Remove the nuts from the bolts installed in the previous step. Thread the rubber strap through the plate shown below so that about an 1in of material sticks out. Install the plate onto the bolts and tighten down the nuts. Make sure the long end of the strap faces the bottom of the tub.



14. Install the handle bracket in the holes drilled in the back of the tub. Make sure the head of the bolts are underneath the tub and the nuts inside of the tub.



15. The tub should now look like this



16. Install the left and right double dump arms onto the Kart Mate frame as shown below. Install but do not tighten down the nuts yet.



17. Place the tub onto the frame and install the 3/8-16 hex bolts through the double dump arms and the pivot brackets



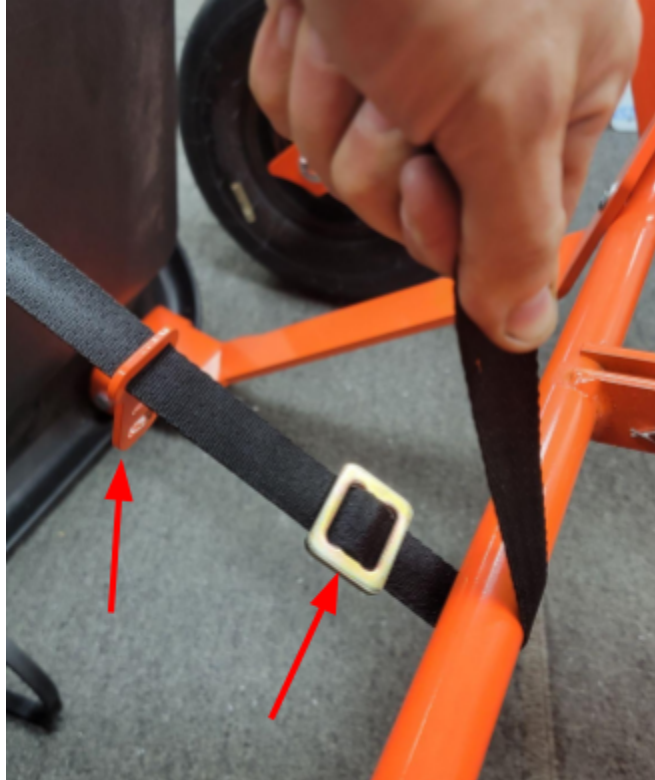
18. Tighten down the $\frac{3}{8}$ -16 bolts with a $\frac{9}{16}$ socket and wrench.



19. Tighten the nuts installed in step 16, holding the double dump arms to the kart mate frame.



20. On the nylon strap installed in step 11, slide the orange bungee slide lock bracket onto it. Make sure the side of the bracket with the smaller holes is on the side of the nylon strap towards the front of the tub.
21. Then slide the gold slide lock bracket onto the nylon strap as shown in the picture below. Slide the bracket so there is 8in of nylon strap past the bracket



22. Wrap the nylon strap around the kart mate frame the double dump arms are bolted to, and thread the strap back through the bracket as shown below.



23. Thread the bungee strap through the bungee slide lock bracket as shown below

