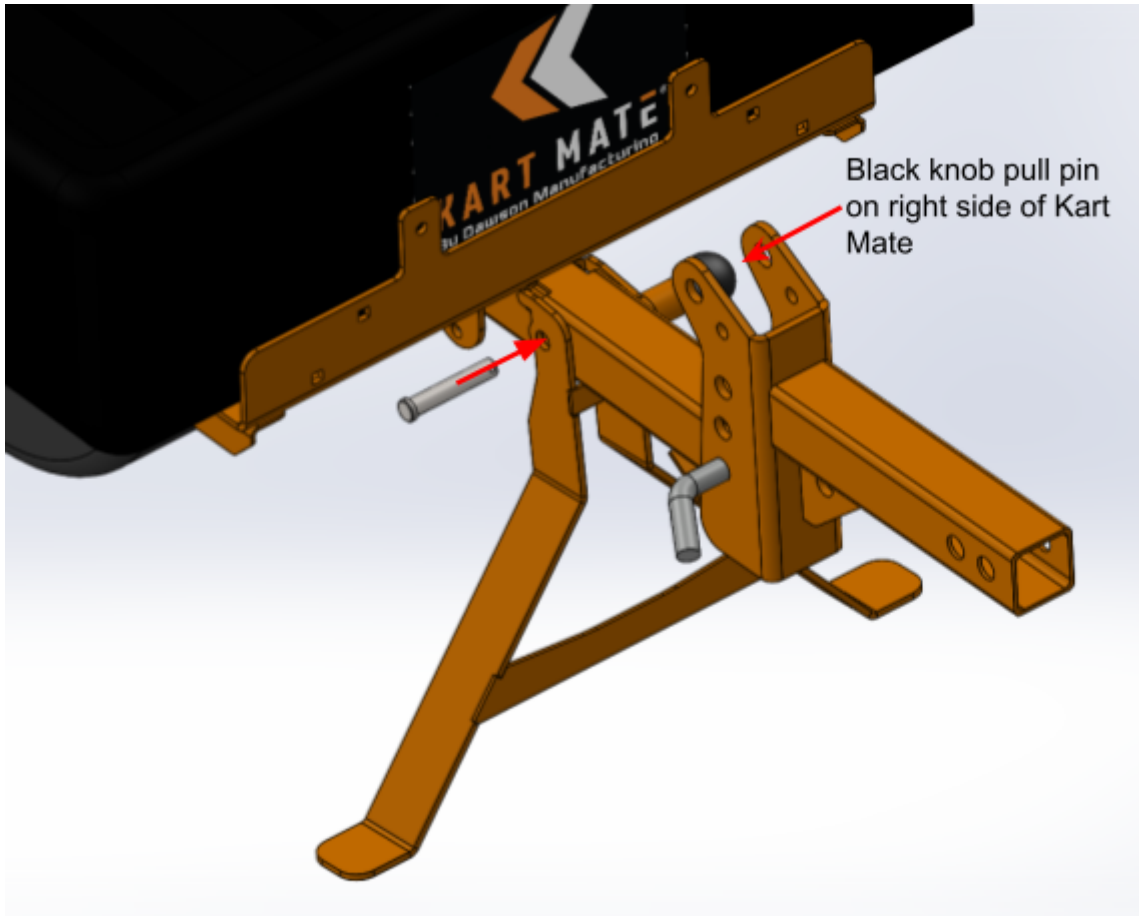




**KART MATE®**

BY DAWSON MANUFACTURING



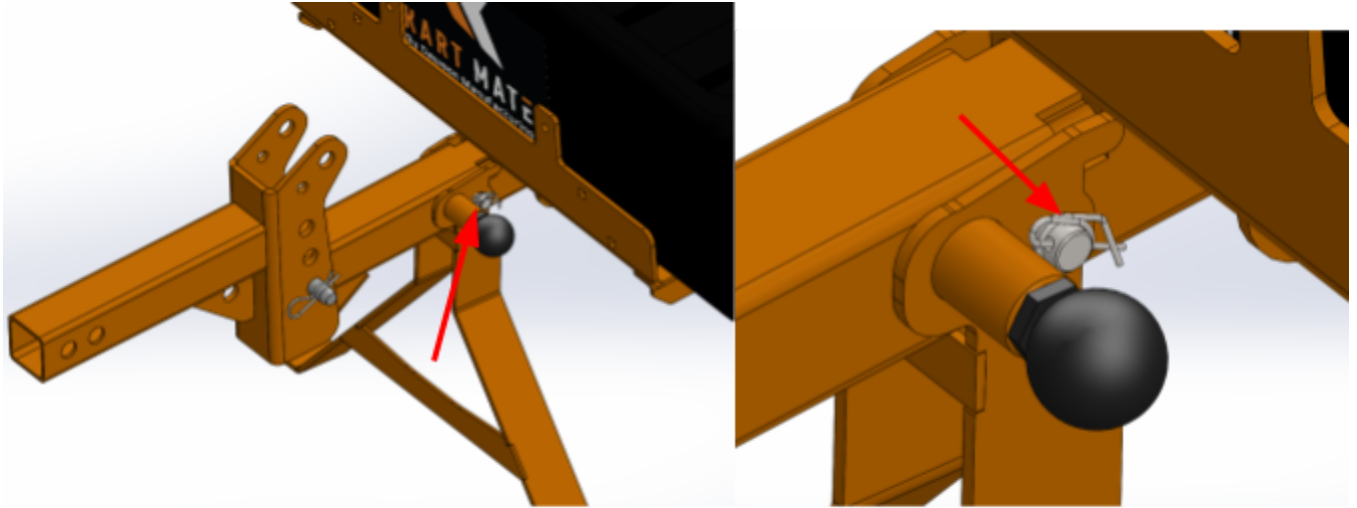
Install leg assembly onto frame and insert  
pin through holes in leg and frame.

**\*\*NEVER OPERATE MOWER WHILE LEG IS DOWN\*\***

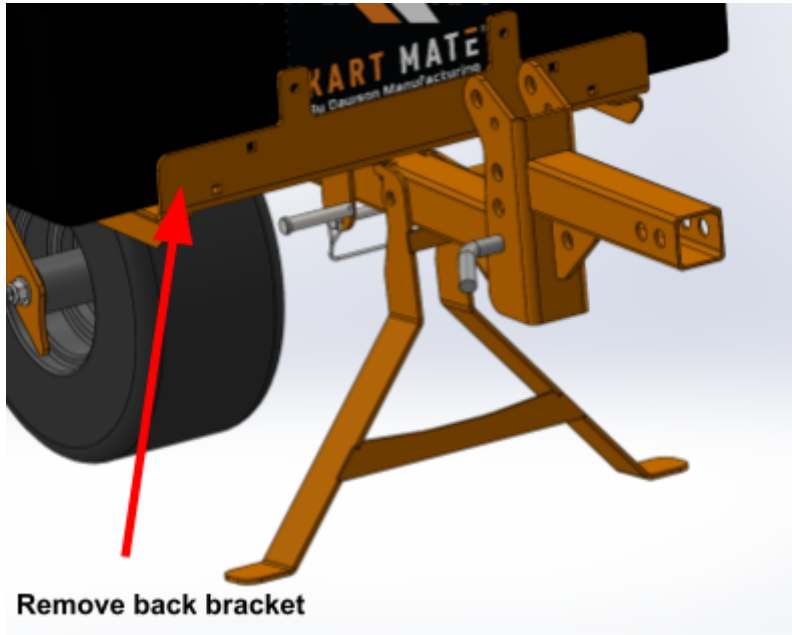


**KART MATE®**

BY DAWSON MANUFACTURING



Lock pin in place using provided locking cotter pin

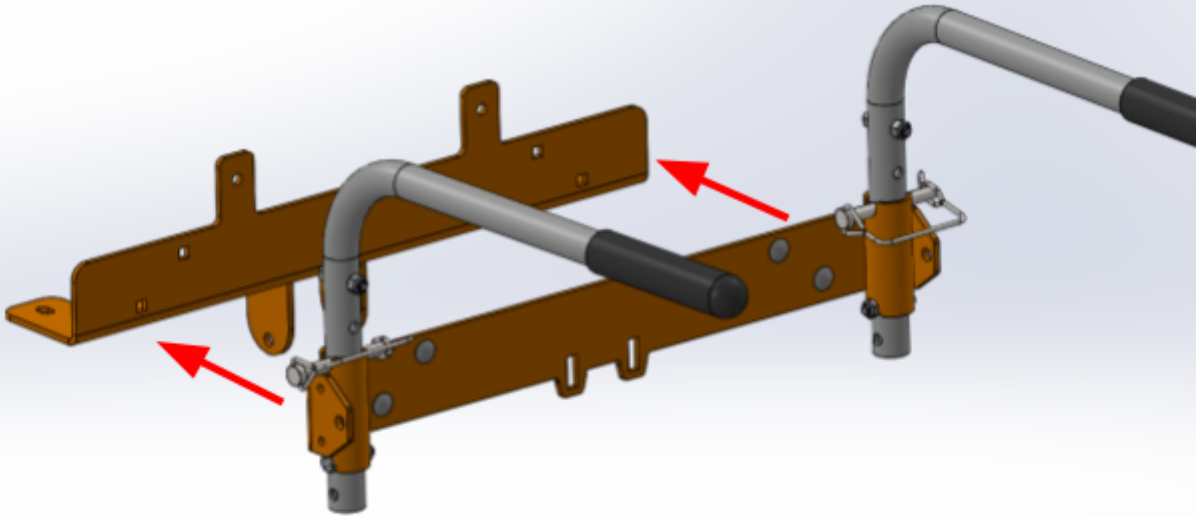


Remove back bracket

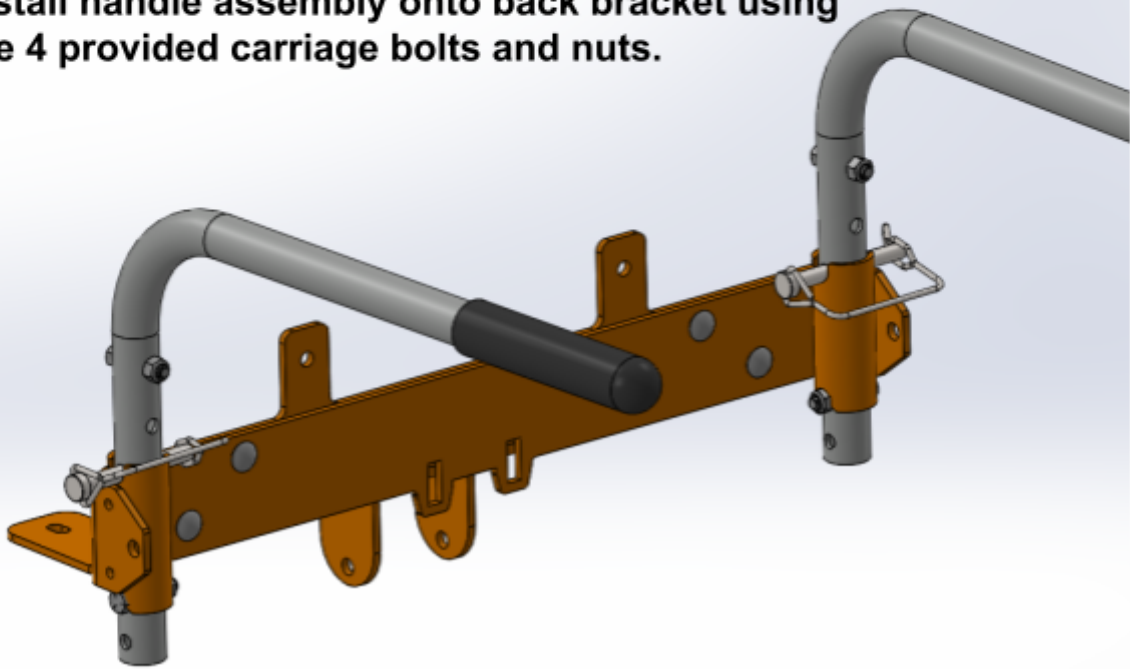


**KART MATE®**

BY DAWSON MANUFACTURING



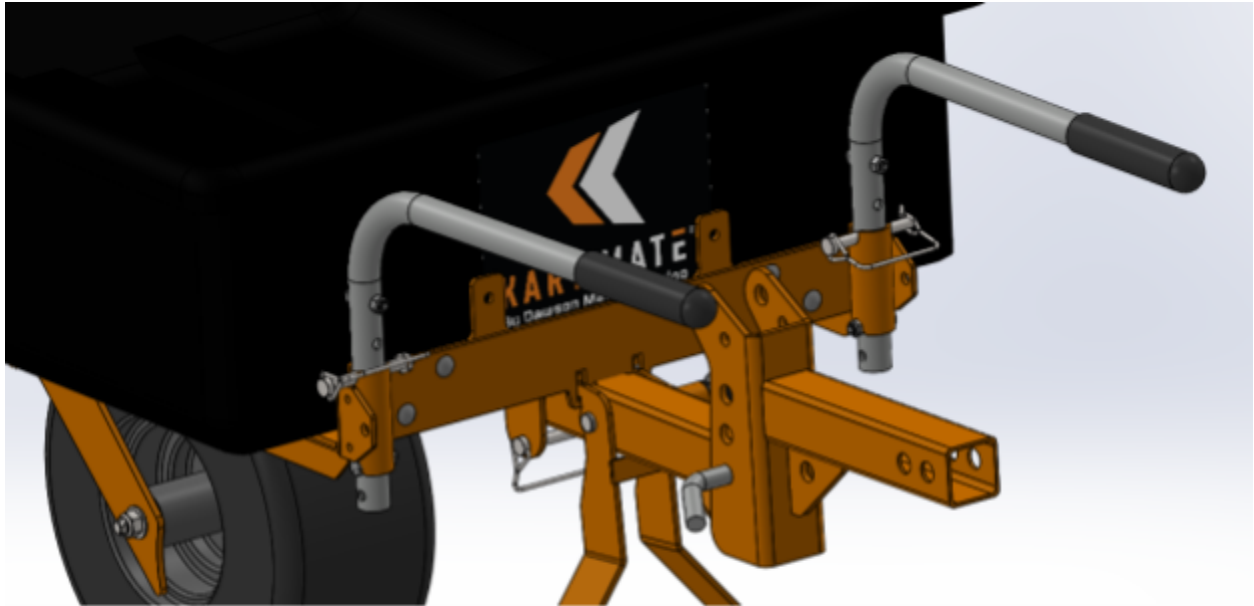
**Install handle assembly onto back bracket using the 4 provided carriage bolts and nuts.**



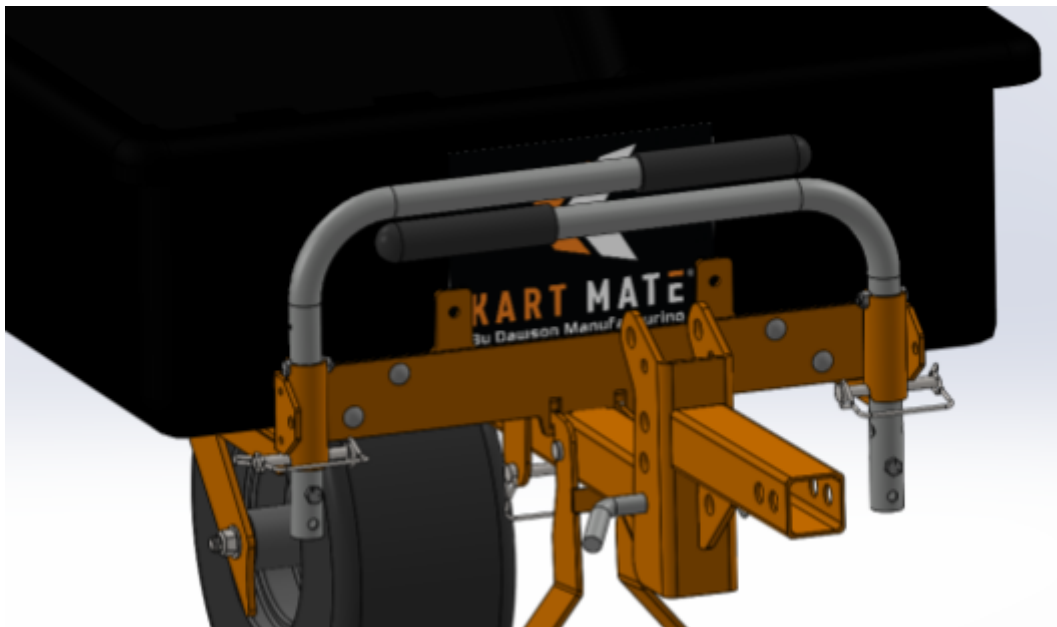


**KART MATE®**

BY DAWSON MANUFACTURING



**Re-install back bracket with handle assembly onto tub**



**Store handles in this position when not in use**