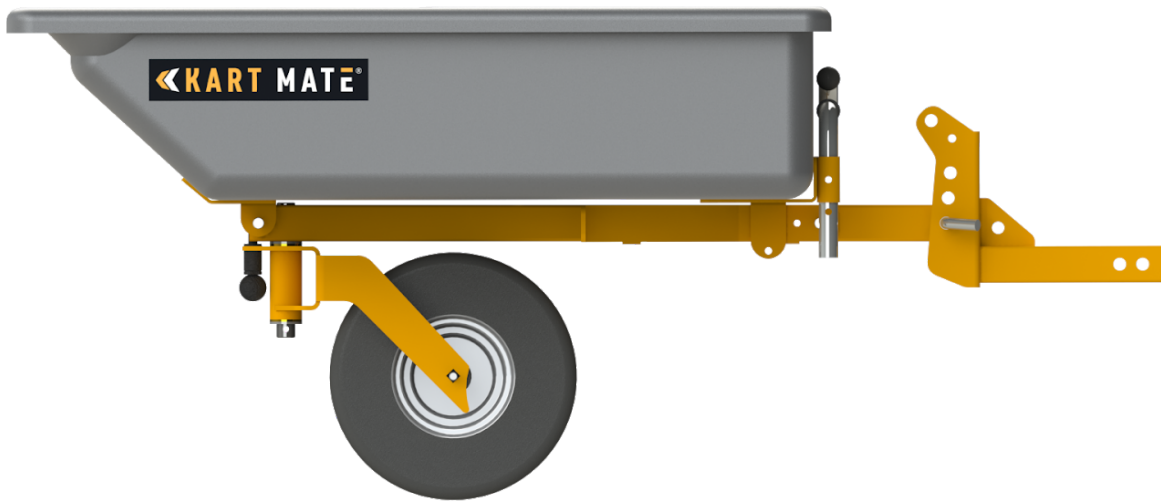




Operator's Manual





Dawson Manufacturing LLC
899 Airport Park Rd #E
Glen Burnie, MD 21061
888-77MULCH
www.MulchMateUSA.com

Product and Contact Information

Please contact your authorized Kart Mate dealer for information and service on your product. Always provide your product model and serial number listed below.

Dealer Name: _____

Dealer Address: _____

Dealer Phone: _____

Date Purchased: _____

Kart Mate Functionality

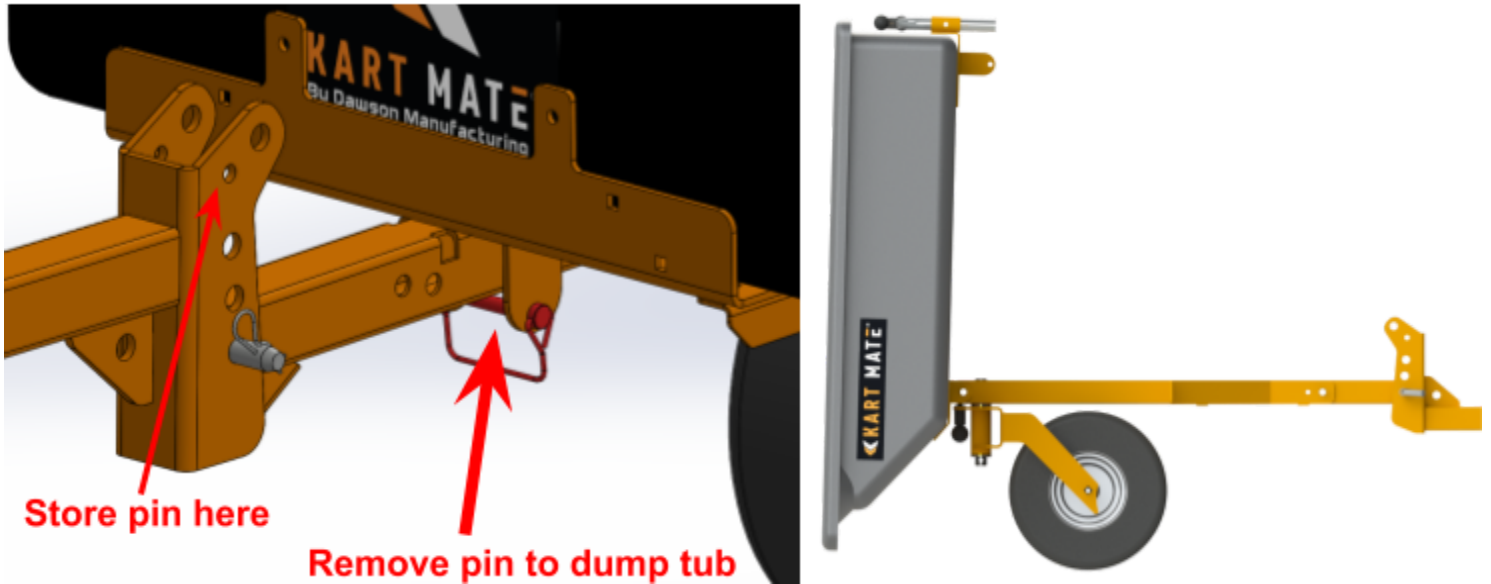
The Kart Mate RS has multiple different configurations and functions. It can be stored in a vertical position for transportation and lowered to its horizontal position for use as a wheelbarrow. The tub can also pivot from the front and dump without having to unhook the Kart Mate from the mower. With the optional leg and handle attachment, the Kart Mate RS can be quickly disconnected from the knuckle and manually pushed like a traditional wheelbarrow to get into places your mower cant.

Operations



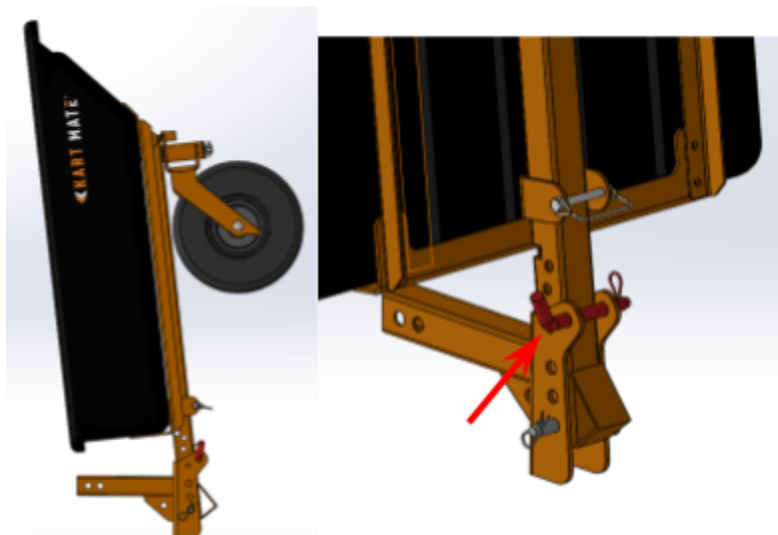
Dumping the Tub

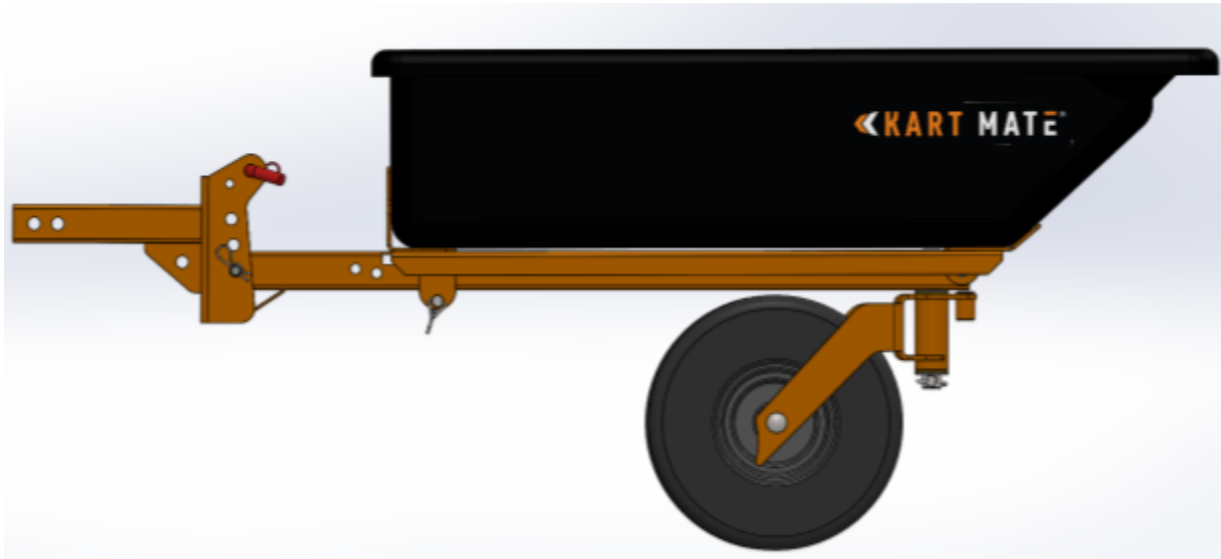
- Remove the pin from the bracket underneath the tub as shown below.
 - while using the kart mate, pin can be stored in the small hole in the knuckle
- lift from the handles or back edge and dump the tub (handles are optional add-on)



Raising/Lowering the Kart

- Remove hitch pin in the top of the knuckle
- Raise or lower the kart
- Reinstall pin in hole
 - when the kart is in the raised position, make sure the smaller pin used to lock the tub from dumping is installed.
 - when the kart is in the lowered position and attached to a mower, make sure the wheel is unlocked and able to spin freely.



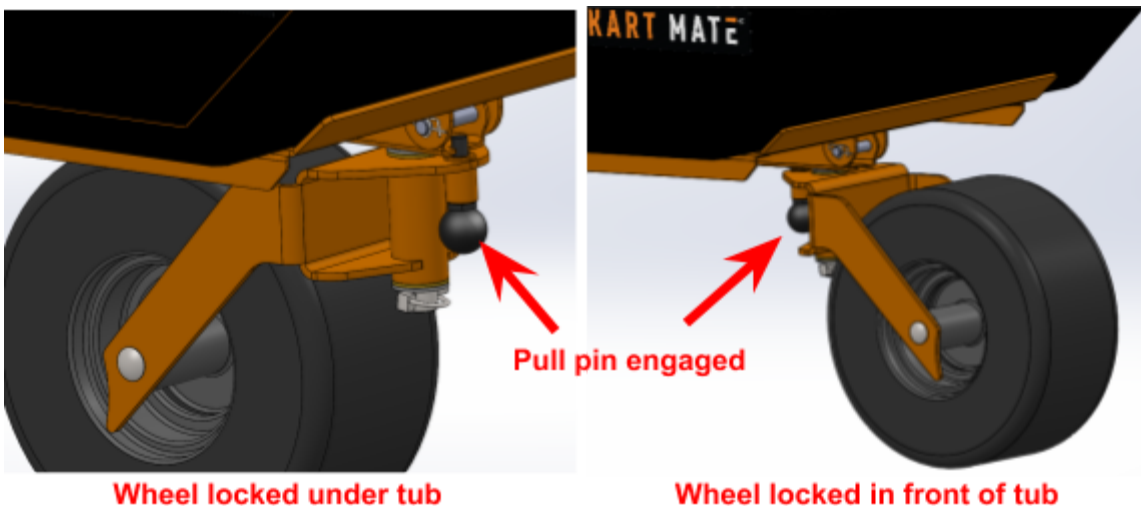


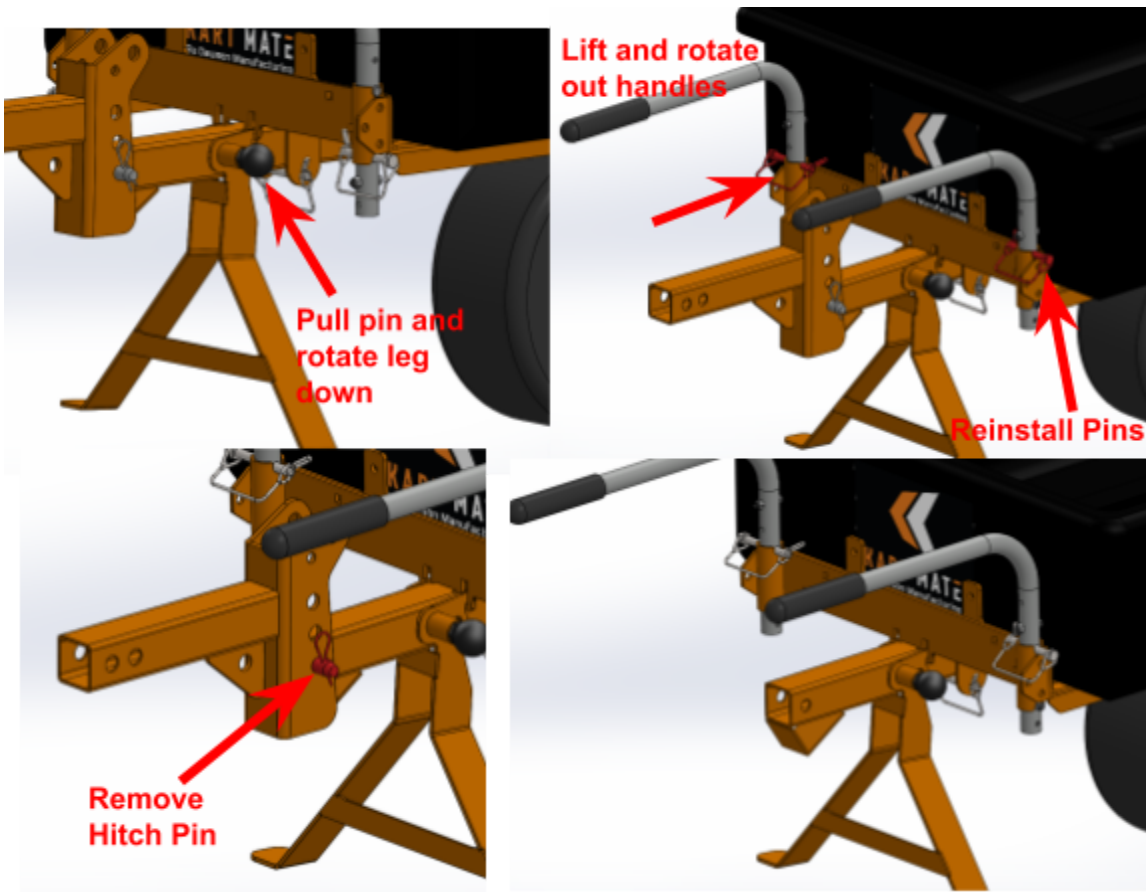
Transporting the Kart Mate

- If transporting the kart mate on an open trailer or truck bed, it is recommended to strap down the tub if it is stored in the vertical position when driving at speeds over 60mph.

Disconnecting Kart Mate/using as manual wheelbarrow

- Rotate the wheel assembly either under the tub OR out in front of the tub and engage the pull pin on the caster assembly so it locks into the front or back hole.
- Pull pin on side of leg and rotate leg down.
- Remove pins in handles, lift and rotate the handles out.
- Reinstall pins in handles to lock them up and out.
- Remove the hitch pin in the knuckle and disconnect the kart from the mower.





Maintenance

Cleaning and General Maintenance

- periodically check all nuts and bolts to make sure they are tight
- grease wheel axle weekly
- check tire pressure weekly
- **Do not slam the kart when lowering it.**
- **It is recommended to tie down the kart when in the vertical stored position when transporting on open trailers.**
- **Do not exceed more than 225lbs of material in the tub**

Warranty

LIMITED 1 YEAR MANUFACTURER PARTS WARRANTY: The manufacturer warrants the parts of this product to be free from defects in workmanship and materials, under normal use and conditions, for a period of one (1) year for parts and labor from the original invoice date. Shipping and handling fees are to be paid for by the customer. The manufacturer agrees, at its option during the warranty period, to repair or replace any defective part or to furnish a repaired or refurbished part of equal value in exchange without charge (except for a fee for shipping, handling, packing, return postage, and insurance which will be incurred by the customer). Such repair or replacement is subject to verification of the defect or malfunction and proof of purchase as confirmed by showing the model number and serial number on original dated sales receipt.

WARRANTY LIMITATIONS

This warranty does not include: · Any condition resulting from other than ordinary use for which the product was intended, such as use of materials not recommended or over loading of unit · Any condition resulting from incorrect or inadequate maintenance or care · Damage resulting from misuse, abuse, negligence, accidents or shipping damage · Normal wear and tear

Product Liability Indemnification. Buyer will indemnify, defend and hold harmless Seller, each of its Affiliates, and each of its and its Affiliates employees, officers, directors and agents (each, a Seller Indemnified Party) from and against any and all liability, loss, damage, expense (including reasonable attorney's fees and expenses) and cost (collectively, a Liability) that the Seller Indemnified Party may be required to pay to one or more Third Parties resulting from or arising out of (a) personal injury or death of any person as a result of use of any Product supplied or sold by Dawson MFG or its Affiliates or sublicensees or (b) the conduct by Buyer or its Affiliates or licensees or sublicensees.