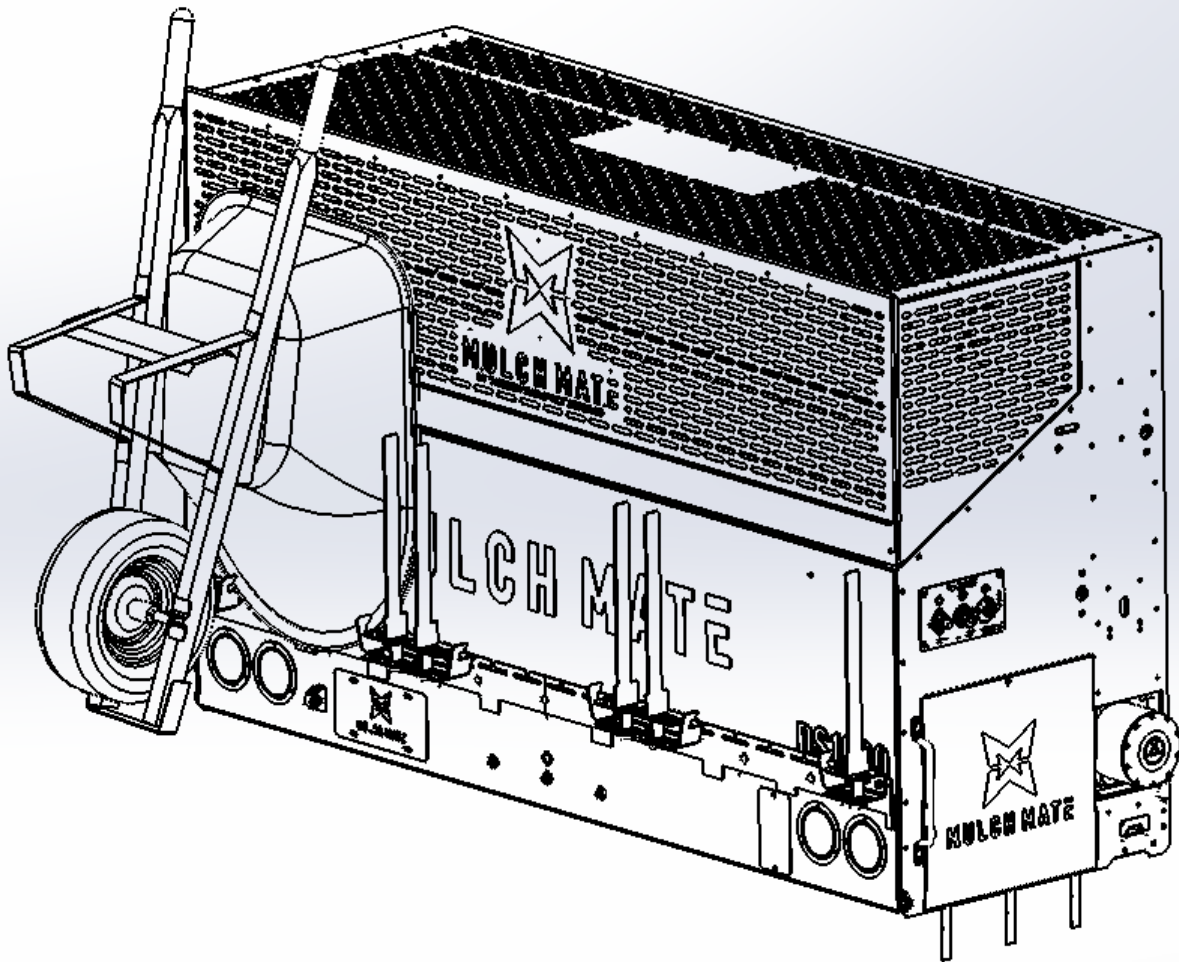




899 Airport Park Road Suite E
Glen Burnie, MD 21061
United States

Installation Instructions

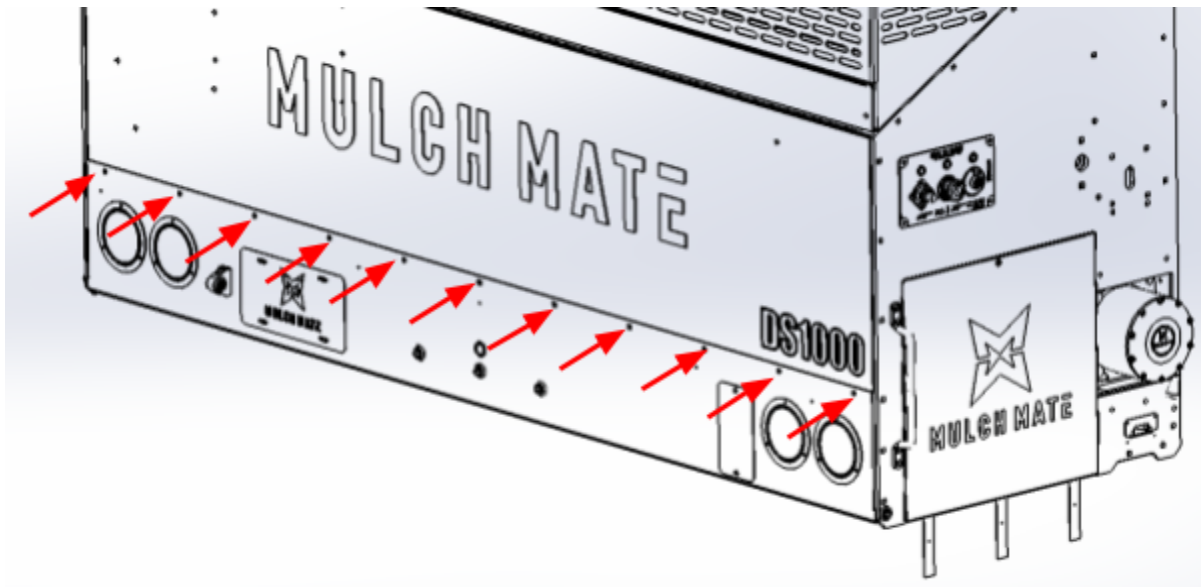
Mulch Mate Wheelbarrow Mount



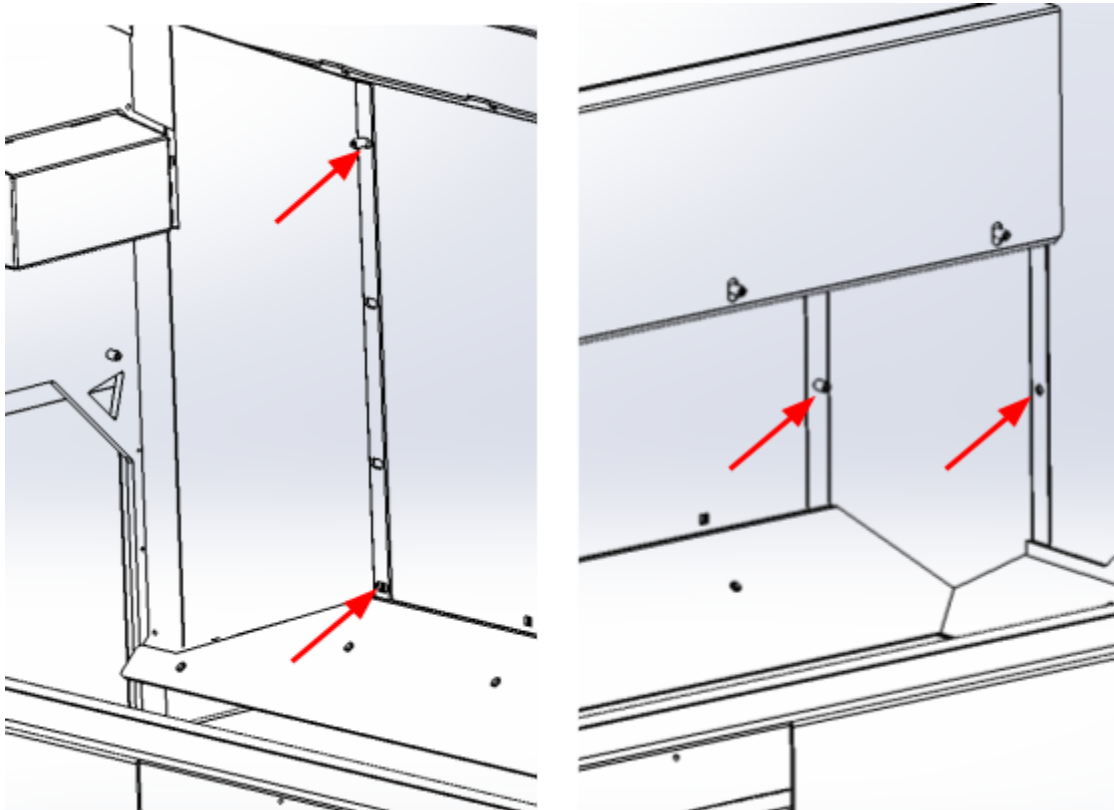
Tools Needed

- 1/2in Wrench/Socket

Remove bolts on Mulch Mate

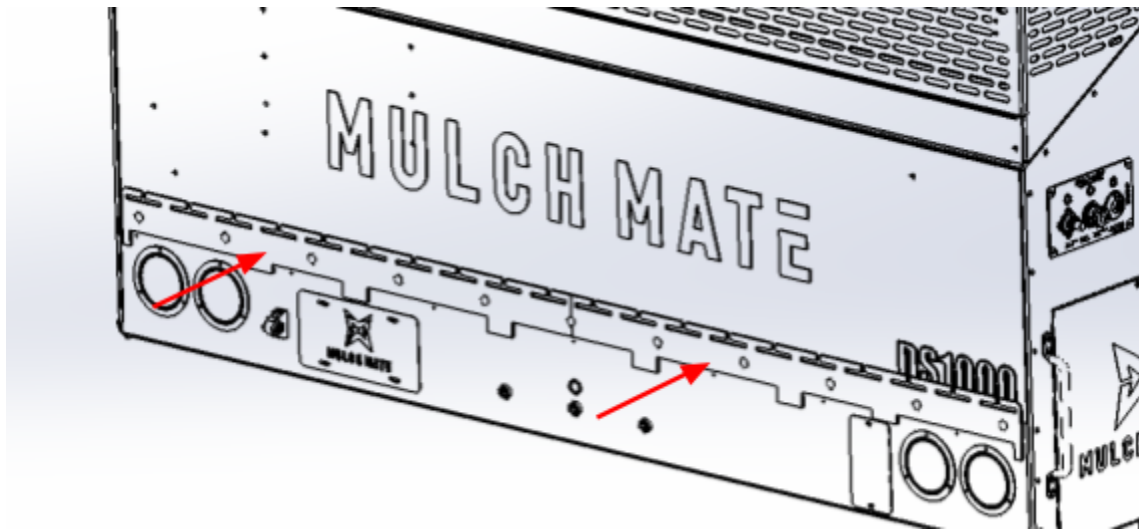


To access the outer bolt on each side, 2 panels from inside the machine need to be removed..



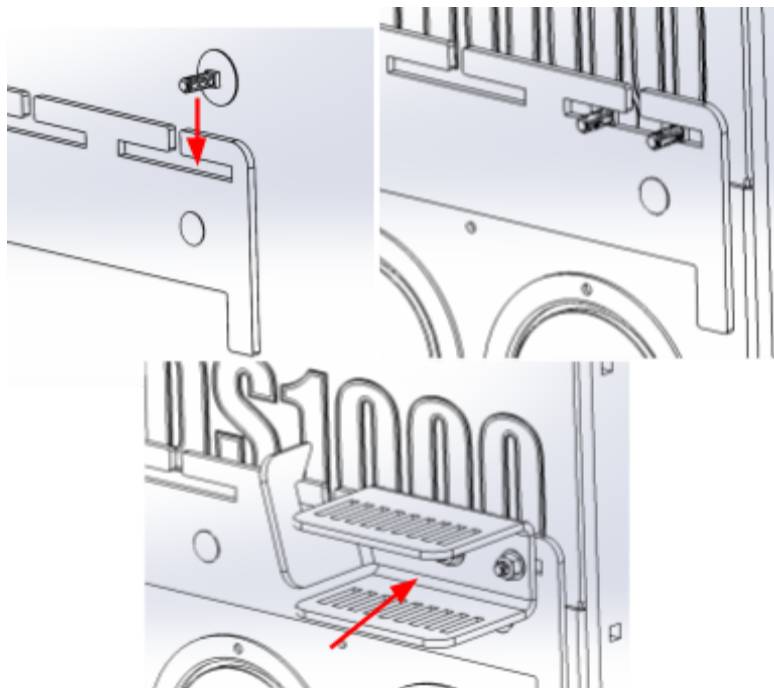
Install Base Plates

- Use the provided 5/16-18 x 1in carriage bolts and install the 2 base plates onto the Mulch Mate, and reinstall the 2 panels removed from inside the Mulch Mate.

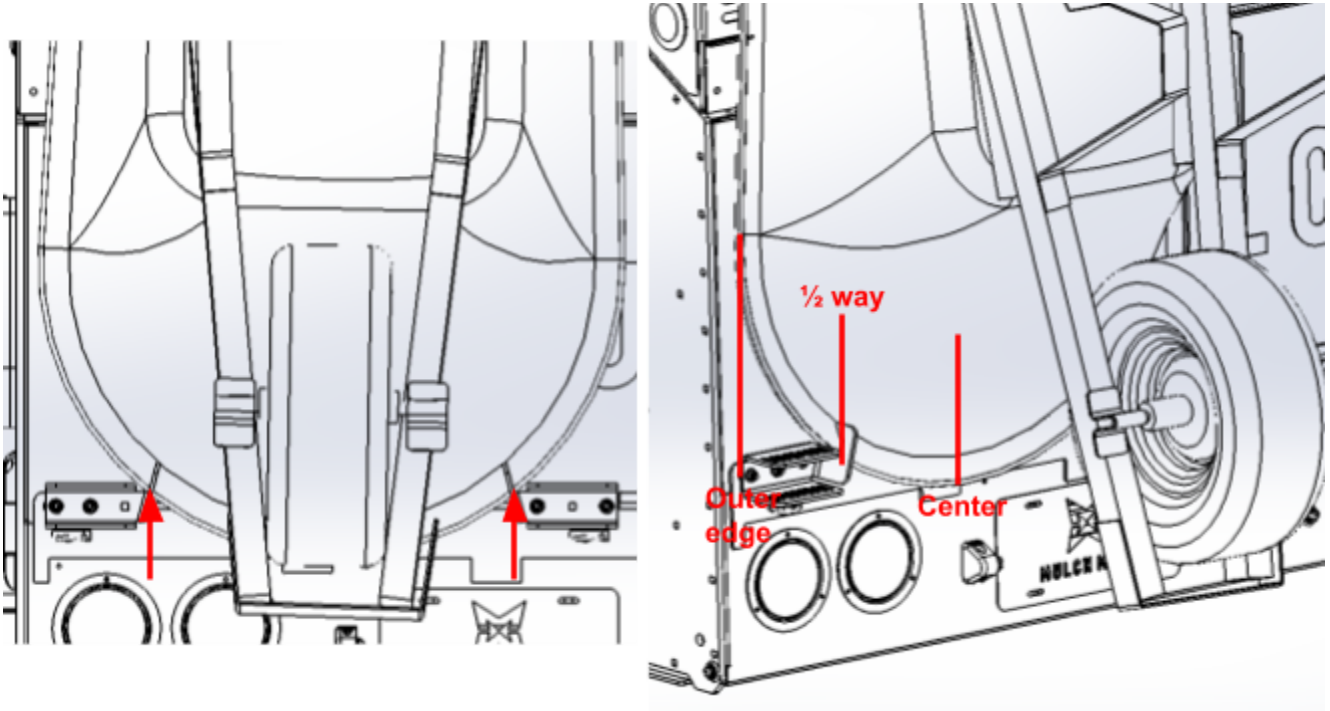


Install Adjustable Wheelbarrow Mounts

- Install up to 3 sets of adjustable wheelbarrow mounts by inserting 2 elevator bolts per bracket into the slot at the required location for your wheelbarrow.
- You may need to guess, check, and adjust the mounting with your wheelbarrow to get the fitment correct.
- Depending on how many wheelbarrows you are mounting will determine your spacing. You want them to be as centered on the Mulch Mate as possible and as close together as possible (almost touching each other).

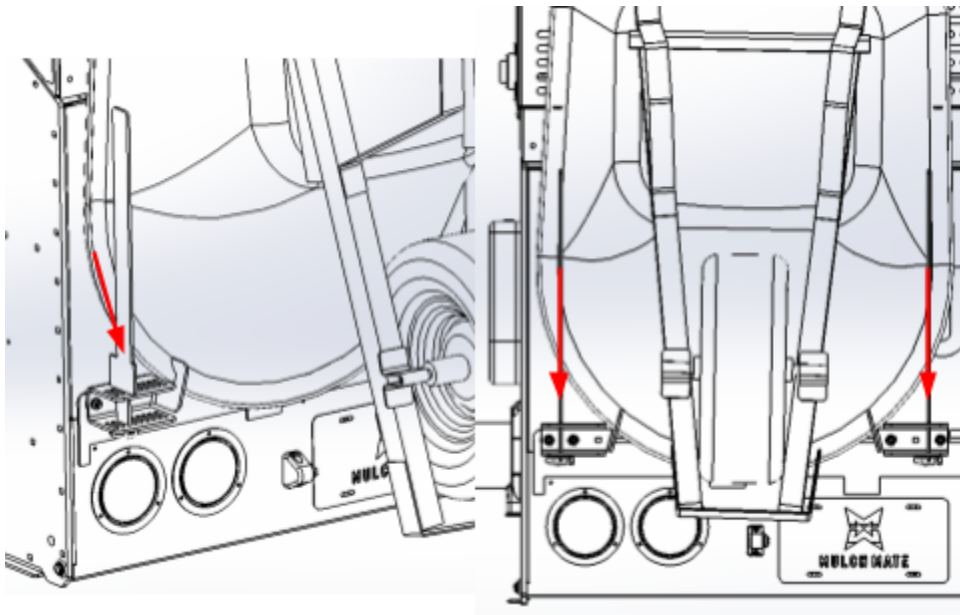


- Lift and mount your wheelbarrow so that the adjustable mounts hook around the edge/lip of the wheelbarrow.
- The hook should be located halfway between the center and the outer edge of the wheelbarrow on each side.
- Adjust the mounts as needed.

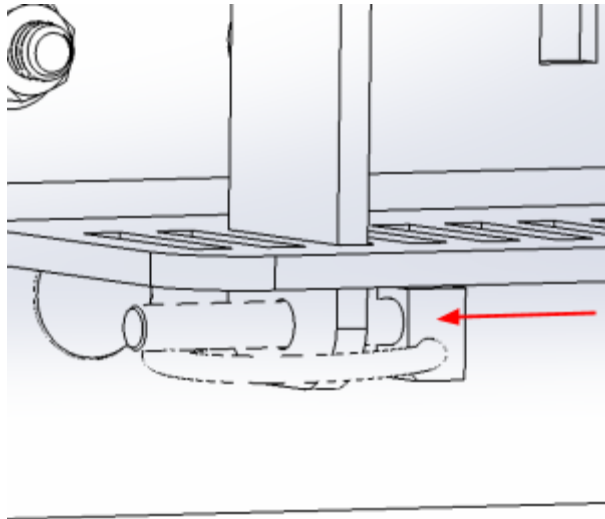


Install Upright Supports

- Insert the upright supports into one of the slots in the adjustable brackets so that they hold each side of the wheelbarrow, and prevent it from falling back.



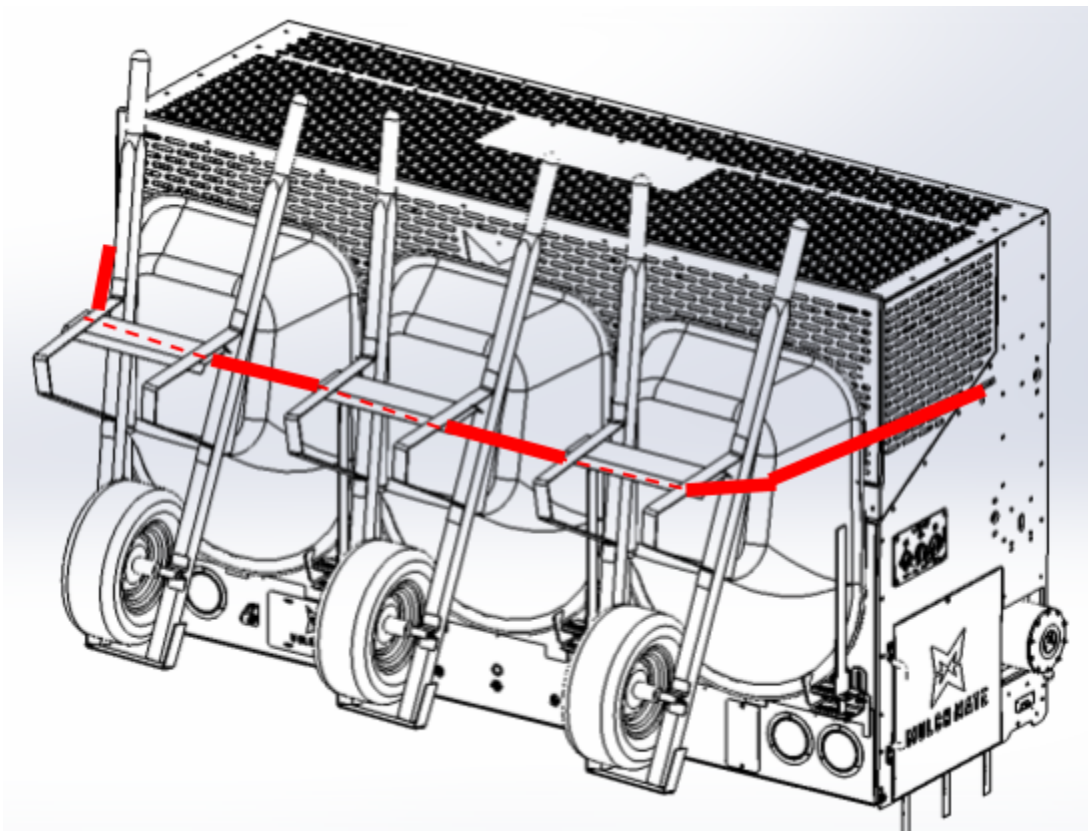
- Secure upright support with lynch pin in the hole at the bottom



Repeat previous steps for up to 3 wheelbarrows

Secure Wheelbarrows for transport

- Using the provided ratchet strap to secure wheelbarrows to the Mulch Mate.
- Hook the ends of the ratchet strap into the oval hole on each side of the Mulch Mate and wrap around going through the legs of the wheelbarrows.



Dawson Manufacturing Warranty

What this warranty covers:

This warranty covers defects in material and workmanship except as set forth below.

Who is covered:

The original purchaser from an authorized dealer.

For how long:

Complete Product: 1 year from the date of purchase.

Labor: 1 year from the date of purchase for the complete product.

Parts: 1 year from the date of purchase. (no Labor)

What Dawson Manufacturing will do:

Dawson Manufacturing will, at its sole option, repair or replace defective parts at no charge.

What you must do for warranty service:

To obtain warranty service, the purchaser must return the defective product to any authorized Dawson Manufacturing dealer (preferably the one from whom the product was purchased) within the warranty period. Purchaser must be able to verify the original purchase date. All transportation costs to and from the dealer will be the responsibility of the purchaser.

What is not covered:

1. Products repaired or altered by anyone other than an authorized Dawson Manufacturing dealer.
2. Products which have been subject to misuse, negligence, accident, improper installation, maintenance, care, or storage.
3. Dawson Manufacturing does not assume liability for damage to your equipment resulting from the attachment or use of any Dawson Manufacturing. Equipment risk is the sole responsibility of the purchaser.

Limits of Dawson Manufacturing Liability are:

Dawson Manufacturing's liability is expressly limited to repair or replacement of defective parts. Dawson Manufacturing shall not be liable for consequential, incidental, or contingent damages whatsoever, even if damages are caused by the negligence or fault of Dawson Manufacturing. The foregoing warranties are exclusive and in lieu of all other express and implied warranties including, but not limited to, the implied warranties of merchantability and fitness for a particular purpose.