



MULCH MAT[®]

By Dawson Manufacturing

Operator's Manual

Parts Manual





Dawson Manufacturing LLC
899 Airport Park Rd #E
Glen Burnie, MD 21061
888-77MULCH
www.MulchMateUSA.com

Product and Contact Information

Please contact your authorized Mulch Mate dealer for information and service on your product. Always provide your product model and serial number listed below.

Dealer Name: _____

Dealer Address: _____

Dealer Phone: _____

Date Purchased: _____

Model Number: _____

Serial Number: _____

It is **highly** recommended for anyone operating the machine to watch the online training video **and** take the certification exam

<https://mulchmateusa.com/video-training>

Table of Contents

Introduction

Product Description	page 3
Read Manual Before Use	page 3
Using Your Manual	page 3
Parts Location	page 3

Safety

Safety Decals	page 5
General Safety Procedures	page 6
Training Requirements	page 6
Personal Protective Equipment Requirements	page 6
Operation Safety	page 6
Preventing Accidents	page 7
Roadway Safety	page 8
Maintenance Safety	page 8

Operations

Quick Safety Check	page 9
Powering Unit On	page 9
Pull Out Tarp for Loading	page 10
Covering Load for Transporting	page 10
If Using Optional Wheel Barrow Mounts	page 10
Preparing for Transport	page 10
Using Unit on Site	page 11
Opening Unit to Load Debris	page 11
Closing Unit Before Transport	page 12
Preparing Unit Before Raising Dump Body	page 12
Securing Unit for Transport	page 12

Maintenance

Cleaning and General Maintenance	page 13
Warranty	page 13

Introduction



Dawson Manufacturing LLC is pleased to provide you with your new Mulch Mate DS1000 mulch delivery system. We hope you enjoy many years of great service and productivity with this fine product.

MULCH MATE

Product Description

The Mulch Mate DS1000 is the first product you can attach to the landscape body truck you already own. With our Patented design you can fill your truck with mulch and remove it directly into a wheelbarrow with the use of a simple joystick, eliminating the back-breaking job of shoveling for hours. The unique tarp system pulls mulch into the unit where it gets conditioned by the augers before being transported by the cross conveyor to wheelbarrows, containers, or straight onto the ground. It also allows you to separate new clean mulch from any debris that you need to reload in your truck for disposal. Another unique design of the DS1000 is the dual pivoting hinge which allows you to swing the unit around to the side of your truck, lock it in place, then raise your dump bed to empty the contents. The hinge also allows you to use and load your truck as you normally would without having to remove the Mulch Mate unit.

****Read the Operations Manual Completely Before Use****

Using Your Manual

This manual has been created to help you gain the important knowledge of what is needed to safely operate, maintain and service your new equipment. It is divided into sections for convenient reference of the appropriate information.

You must read and understand the operator's manual before operating your new equipment. Understanding the operator's manual will help you, as well as others, avoid personal injury and/or damage to the equipment. The operator's manual should stay with the equipment at all times even when sold.

The information in this manual provides the operator with the safest procedures to operate the equipment while getting the maximum benefits out of your unit. Failure to follow the safety instructions in this manual may result in personal injury and/or damage to your equipment.

Parts Location



- | | | |
|---------------------------|-------------------|--------------------|
| 1. Tarp Roller | 2. Auger Rollers | 3. Batteries |
| 4. Conveyor Belt | 5. Tarp Motor | 6. Tarp Gear Set |
| 7. Power Distribution Box | 8. Conveyor Motor | 9. Hinge |
| 10. Auger Gear Box | 11. Control Panel | 12. Take Up Roller |

Safety

Safety Decals

Throughout the manual you will encounter special messages and symbols that will identify potential safety concerns to help you as well as others avoid personal injury and/or damage to your equipment.

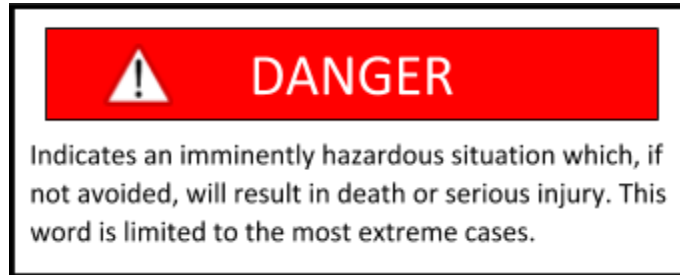



ATTENTION

This symbol indicates potential health and safety hazards. It marks safety precautions. Your safety and safety of others is involved.

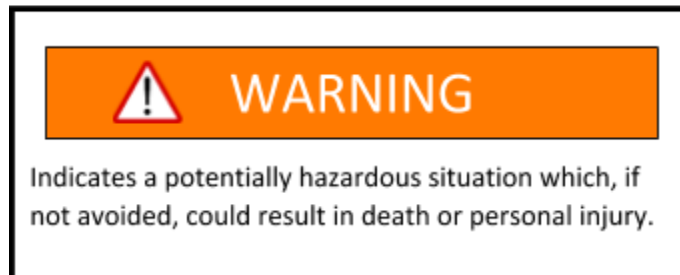
There are three signal words that describe the level of safety concern. Danger, Warning and Caution. Safety should always be the #1 priority when working on or operating any equipment. Accidents are more likely to occur when proper operating procedures are not followed, or inexperienced operators are involved.


Signal Word Definitions



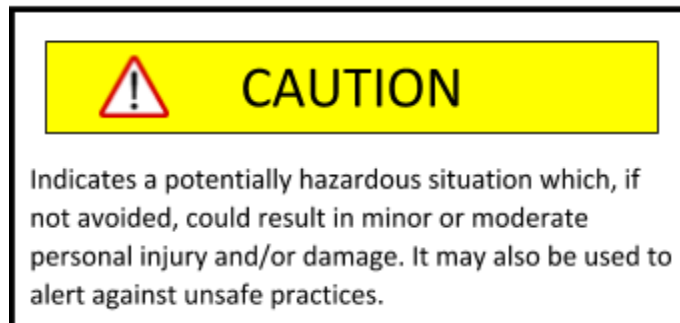
 **DANGER**


Indicates an imminently hazardous situation which, if not avoided, will result in death or serious injury. This word is limited to the most extreme cases.



 **WARNING**

Indicates a potentially hazardous situation which, if not avoided, could result in death or personal injury.



 **CAUTION**

Indicates a potentially hazardous situation which, if not avoided, could result in minor or moderate personal injury and/or damage. It may also be used to alert against unsafe practices.

Keep all safety decals clean and legible at all times. Remove dirt, grease and debris from safety decals and instructional labels. If any decals become damaged, faded, illegible or missing, contact your Mulch Mate dealer promptly for replacements. These safety decals and labels are there to help warn and protect you and others. Please take these warnings seriously and refer to the operator's manual often to stay familiar with all safety information.

It is **highly** recommended for anyone operating the machine to watch the online training video **and** take the certification exam

<https://mulchmateusa.com/video-training>

Safety



General Safety Procedures

Training Requirements

- The owner of this machine is solely responsible for properly training the operators.
- The owner/operator is solely responsible for the operations of this machine and prevention of accidents or injury occurring to him/herself, other people or property.
- Do not allow operation or service of this unit by children or untrained personnel. Local laws or regulations may restrict the age of the operator.
- Before operating this machine, read the operator's manual and understand its contents.
- Read and understand all safety information.
- Learn and understand the use of all controls.
- Know the location and use of the Emergency Stop Button.
- Never stand in a location where the machine has a possibility of falling or pinching the operator or other people.

Personal Protective Equipment Requirements

It is the responsibility of the owner to be sure that the operators use the proper personal protective Equipment while operating the machine. Required personal protective equipment includes, but is not limited to the following list.

- Safety glasses while operating the machine to prevent eye injury.
- Closed toe shoes.
- Long pants.
- When operating in dusty conditions, it is recommended that a respirator should be worn.

Operation Safety

- Inspect machine before operation. Repair or replace any damaged, worn or missing parts. Be sure guards and shields are in proper working condition and are secured in place. Make any necessary adjustments before operating the machine.
- Some pictures in this manual may show shields or covers opened or removed in order to clearly illustrate some instructions. Under no circumstance should the machine be operated without these devices in place.
- Alterations or modifications to this machine can reduce safety and could cause damage to the machine and/or injury to the operator and others. Do not alter any safety devices or operate with shields or covers removed.
- Before each use, verify that all controls function properly and inspect all safety devices. Do not operate if controls or safety devices are not in proper working order.
- Observe and follow all safety decals.
- Ensure machine latches and locks are all in place and functioning correctly.

Safety

General Safety Procedures (cont)

Operation Safety (cont.)

- Ensure all bystanders are clear of the machine whenever unlatching the machine or preparing the unit for dumping. Never dump the truck without making sure all latches, locks, and/or safety chains are in place.
- Always be alert to what is happening around you, but do not lose focus on the task you are performing. Watch the functions of the machine whenever the machine is on and operating.
- Stop the machine at any sign of equipment failure. An unusual noise can be a warning of equipment overload or failure, or a sign that maintenance or repair is required. Make all necessary repairs before operating machine again.
- Do not leave machine in the “ON” position when unattended.
- Only operate in well-lit conditions.
- Do not operate when there is a risk of lightning.
- Never discharge material (i.e. mulch) against a wall or obstruction.
- To reduce fire hazard, keep the battery area clean of debris and material. Clean battery area regularly.

Preventing Accidents

- Never unlatch machine from truck on unlevel ground.
- Ensure Operator and bystanders are clear of the machine before unlatching the locking devices.
- When loading material ensure workers in the truck body are clear of any moving parts before operating the machine.
- When using the remote-control devices, ensure all workers and bystanders are completely clear of any moving parts of the machine. Make sure remote-control devices are turned off and stowed away when not in use.
- NEVER run the machine when people are standing in the truck.
- NEVER put hands, tools, or any debris of any kind in the machine when operating (excluding tools in tool basket).
- NEVER enter/crawl into the body of the machine for any reason.
- Keep hands, fingers, hair, jewelry, and loose clothes always from any moving parts.
- When unlatching machine to dump, ensure area around the machine is clear and stays clear at all times.
- When swinging machine from one position to another, always hold onto the machine so that it will never swing out of your control because of wind or weight etc.
- ***When latching the machine to dump, ensure all hinge locks/stops are in place/installed and functioning properly as well as any back up safety latches/chains.***
- Ensure all body latches and locks are in place and working properly before moving vehicle.
- NEVER leave mulch or any material in the truck overnight.
- Do not operate this machine if you are under the influence of any substance that may impair your judgement or are not in good physical health.

Safety

General Safety Procedures (cont.)

Roadway Safety

- Obey all state and local laws concerning operation on roadways.
- Place traffic safety cones around your vehicle in accordance with state and local laws.
- NEVER unlock or unlatch the machine if there is a possibility of the machine swinging into an area where it could strike any people, vehicles or other property.
- Before driving your vehicle, always check lighting, directional signals and stop signals on the machine. Repair or replace any non-functioning lights before driving vehicle.
- Always pay attention while driving to be sure no material is dropping from the machine.

Maintenance Safety

- Before performing any maintenance or repair on the machine, disconnect the 7 pin connector and the power wires.
- Never enter the machine body while the unit is turned on or connected to the truck.
- When servicing this machine, ensure the power is turned off and the key is removed from the keyswitch.
- Disconnect the battery leads from inside the machine and disconnect the truck wire connections before performing any service on this unit.
- Disconnect the power and battery before servicing anything in the control panel or the power distribution box.

Never leave material in the truck body or machine over-night

Always have control of the machine at all times when not latched and locked in place to the truck.

Never unlatch or unlock the machine when not on level ground.

Always ensure machine is latched and locked in place before moving vehicle.

Always do walk around inspection before moving vehicle.

It is **highly** recommended for anyone operating the machine to watch the online training video **and** take the certification exam

<https://mulchmateusa.com/video-training>

Operations

Quick Safety Checklist

- Always check all safety devices before driving vehicle or operating the machine.
- Ensure machine is latched and locked before driving vehicle.
- Ensure operators and bystanders are clear before operating the machine.
- Follow all safety decals and instructional stickers.
- When unlatching or locking the machine, ensure all areas around the machine are clear of people, animals and/or obstructions of any kind.
- When unlatching or unlocking the machine, ensure you always keep total control of the machine to prevent the unit from swinging away from you.

Powering the Unit On

- To power on the unit turn the key switch (clockwise) to the “ON” position. One green light will turn on.
 - *If the Emergency Stop Switch is activated the center red light will be on. Twist the E-Stop to deactivate.



- Turn the key switch to the right (clockwise) momentarily and release to fully turn the system on. You will now have two green lights and the system is ready to run.



Operating the Unit

- The joystick is used to operate the unit.
 - Press down (1) to run tarp and conveyor.
 - **Tarp is on a 2 sec on, 2 sec off delay so keep holding for tarp to start pulling.**
 - Press up (2) to run conveyor only.
 - Press right (0) to run tarp out into the truck.
 - Press left (X) to run tarp in to unit.
- If at any time you need to stop the machine by using the Emergency Stop Switch, all functions of the machine will stop. To re-start the unit you must release the Emergency Stop Switch by twisting it, then turn the key switch to the run position and release.



Operations

Pulling Out Tarp/Loading Mulch

Tools Needed

- Wireless Remote or Second Person
- Tarp Crank Handle



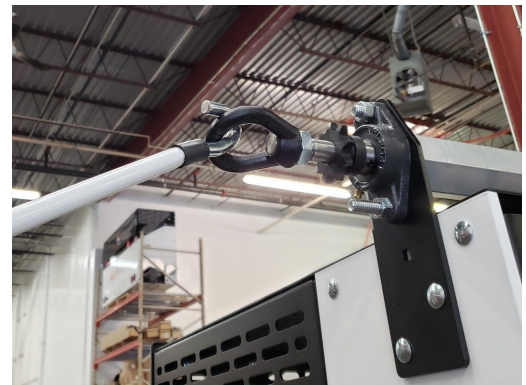
- While standing inside the truck body, hook the Tarp Crank Handle through the grab handle on the tarp. Turn wireless remote on with switch on the left side of the controller, and press the "out" button while pulling the tarp from the machine using the Tarp Crank Handle. Pull out enough tarp to extend the length of the truck bed and to go up and over the front wall of the truck (more if going to cover load with same tarp). Otherwise the tarp may be pulled out from underneath the mulch when operating.

- Clean any loose material from under the tarp before reloading.
- DO NOT OVERLOAD MATERIAL. No more than 10 yards of Mulch.



Covering Load for Transporting

- After loading the truck with material, you will need to cover the load to transport.
- Pull the remaining tarp over the load toward the machine and attach to the Upper Take Up Roller.
- Once attached to the upper take up roller, tighten the ratchet mechanism with the Tarp Crank Handle to remove slack from the tarp.



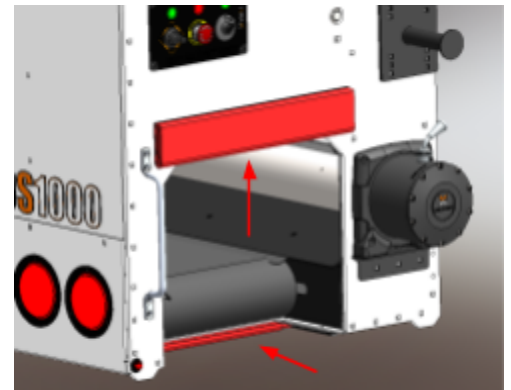
Preparing for Transport

- Before driving vehicle, ensure all latches and locks are correctly installed and operating correctly.
- Ensure all directional signal lights on the machine are operating correctly.
- Ensure your load is covered and slack has been removed from the tarp.
- Close chute exit tray and secure chute Door Cover.

Operations

Using Unit on Site

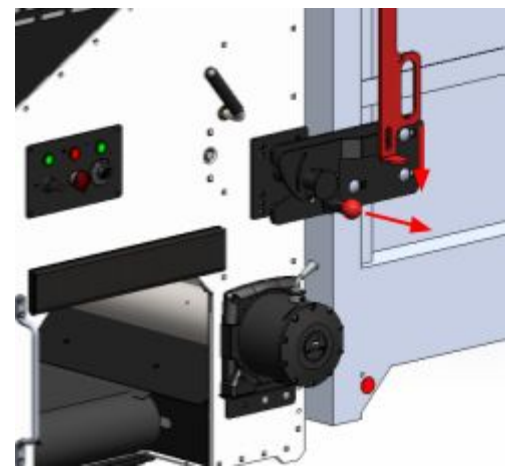
- Turn the power to the machine on. (Follow start up procedures pg. 9)
- Roll up chute door cover and slide back the chute exit tray.
- Place wheel barrow under the exit chute.
- Press and hold the joystick in the “down” position. This will run both the tarp and the conveyor at the same time. The tarp is on a 2 second on/off delay so keep holding until mulch starts to run through the machine. When the wheelbarrow is halfway full, push joystick “up” to just run the conveyor belt. This helps prevent the belt from overloading with too much mulch.
- The power may be left on while running mulch, but care must be taken to ensure no unauthorized persons have access to the machine when unattended.
- When refilling your wheelbarrow, just press the joystick to the “down” position to refill and Top Off.
- **Occasionally you must clear the conveyor belt of built up mulch by pressing the joystick to the “up” position. This will run the conveyor by itself clearing the belt of any built-up mulch.**



Opening Unit to Load Debris

You may load debris behind the tarp, in the space between the tarp and the truck, after a partial load of mulch has been dispensed. Or once the truck has been emptied of mulch, you may swing the machine away and secure it the driver side of the truck. This will allow you to load debris back into your truck for removal.

- Press joystick to the up position to run only the conveyor motor to clear the conveyor belt.
- **After all of the mulch has been emptied from the truck.** Press the joystick to the “left” position to run only the tarp motor to roll up the remaining tarp.
- Make sure the area around the machine is clear, ~~release the hinge locks.~~
- **It is recommended that swinging the unit should be a two person operation.**
- Release the passenger side latch lock, pull down on the handle to release the machine.
- Always keep control of the machine when it is unlatched.
- Walk the unit around to the driver side of the truck and secure the hinge locks and the secondary safety chain to ensure the machine is properly locked in place. Be sure to secure the safety chain in the hole in located at the upper left corner of the chute hole. **DO NOT ATTACH TO THE HANDLE.**
- You may now load debris into your truck for transport.



Operations

Closing the Unit

After loading the truck with debris for transport.

- **It is recommended that swinging the unit should always be a two person operation.**
- After ensuring the area around the machine is clear, release the hinge locks.
- Remove the secondary safety chain.
- While keeping control of the machine, walk the unit back to the right and ensure that it latches into the passenger-side body latches.
- Ensure the unit is latched correctly and secure the latch locking pin.

Preparing Unit to Raise Dump Bed

The machine can be opened and secured to the side of the truck bed to allow normal raising of the truck bed to empty debris.

- **It is recommended that swinging the unit should always be a two person operation.**
- After ensuring the area around the machine is clear, release the hinge locks.
- Release the passenger-side latch lock, pull down on the handle to release the machine.
- Always keep control of the machine when it is unlatched.
- Walk the unit around to the driver side of the truck and secure the hinge locks and the secondary safety chain to ensure the machine is properly locked in place.
- Once unit is secured to the side of the truck you may raise the dump bed as normal.
- Do not shake or move while the dump bed is in the raised position with the machine attached.

Securing Unit for Transport

- Close the unit as per the “Closing the Unit” section above.
- **It is recommended that swinging the unit should always be a two person operation.**
- Ensure all directional signal lights and markers are working correctly.
- Ensure the chute door cover and chute exit tray are closed and secured.
- If any material remains in the bed of the truck, ensure the load is covered as per any local laws.

It is **highly** recommended for anyone operating the machine to watch the online training video **and** take the certification exam

<https://mulchmateusa.com/video-training>

Maintenance

Cleaning and General Maintenance

- Clean machine of all material daily after use.
- Ensure tarp is clean and rolled correctly daily after use.
- Clean and lube exit slide of debris after each use.
- Check battery condition and water level monthly.
- Inspect and tighten conveyor belt as needed.
- Inspect tarp roller bushings for wear annually.
- Inspect directional lighting daily.
- Clean and lube bearings monthly.
- Inspect auger rollers and all moving parts for wear monthly.
- Lube drive chain annually.

It is **highly** recommended for anyone operating the machine to watch the online training video **and** take the certification exam

<https://mulchmateusa.com/video-training>

Warranty

LIMITED 1 YEAR MANUFACTURER PARTS WARRANTY: The manufacturer warrants the parts of this product to be free from defects in workmanship and materials, under normal use and conditions, for a period of three (1) years for parts and one (1) year for Parts and labor from the original invoice date. Shipping and handling fees are to be paid for by the customer. The manufacturer agrees, at its option during the warranty period, to repair or replace any defective part or to furnish a repaired or refurbished part of equal value in exchange without charge (except for a fee for shipping, handling, packing, return postage, and insurance which will be incurred by the customer). Such repair or replacement is subject to verification of the defect or malfunction and proof of purchase as confirmed by showing the model number and serial number on original dated sales receipt.

WARRANTY LIMITATIONS

This warranty does not include: · Any condition resulting from other than ordinary use for which the product was intended, such as use of materials not recommended or over loading of unit · Any condition resulting from incorrect or inadequate maintenance or care · Damage resulting from misuse, abuse, negligence, accidents or shipping damage · Normal wear and tear · Tarp is not included

Product Liability Indemnification. Buyer will indemnify, defend and hold harmless Seller, each of its Affiliates, and each of its and its Affiliates employees, officers, directors and agents (each, a Seller Indemnified Party) from and against any and all liability, loss, damage, expense (including reasonable attorney's fees and expenses) and cost (collectively, a Liability) that the Seller Indemnified Party may be required to pay to one or more Third Parties resulting from or arising out of (a) personal injury or death of any person as a result of use of any Product supplied or sold by Dawson MFG or its Affiliates or sublicensees or (b) the conduct by Buyer or its Affiliates or licensees or sublicensees.