



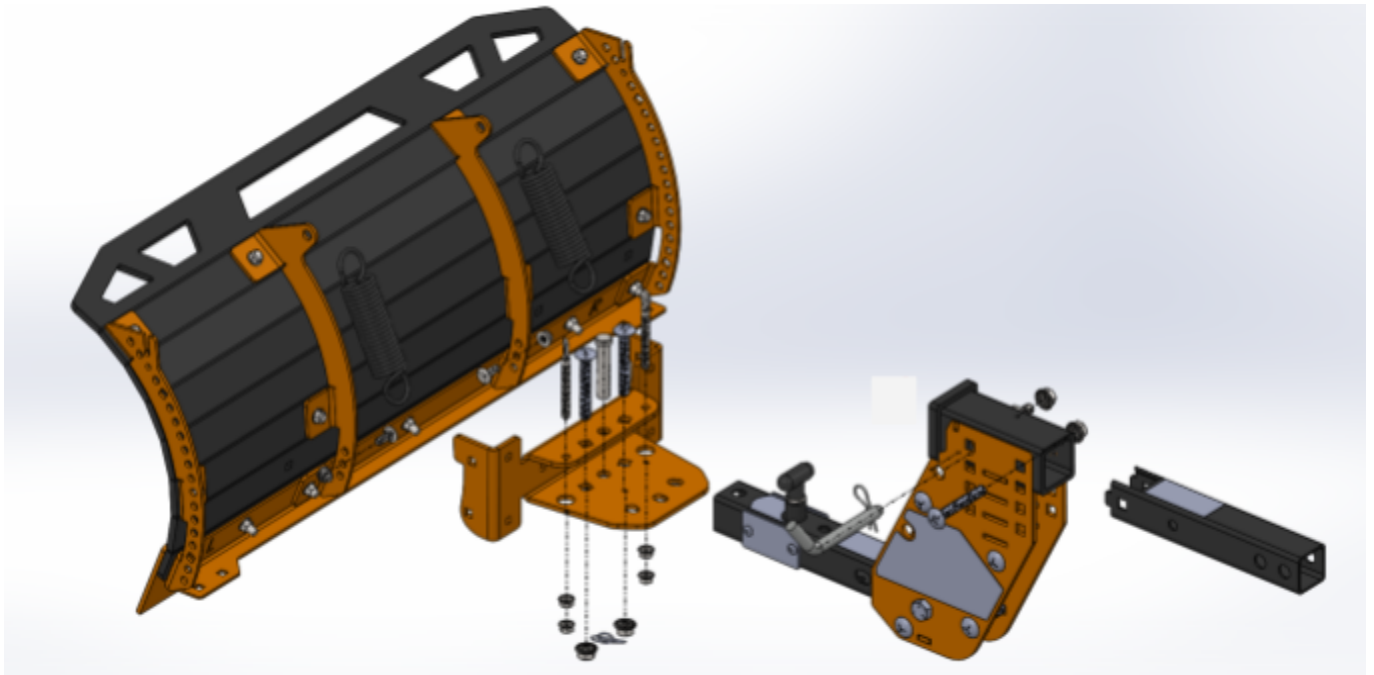
**SNOW MATE**<sup>®</sup>

BY DAWSON MANUFACTURING

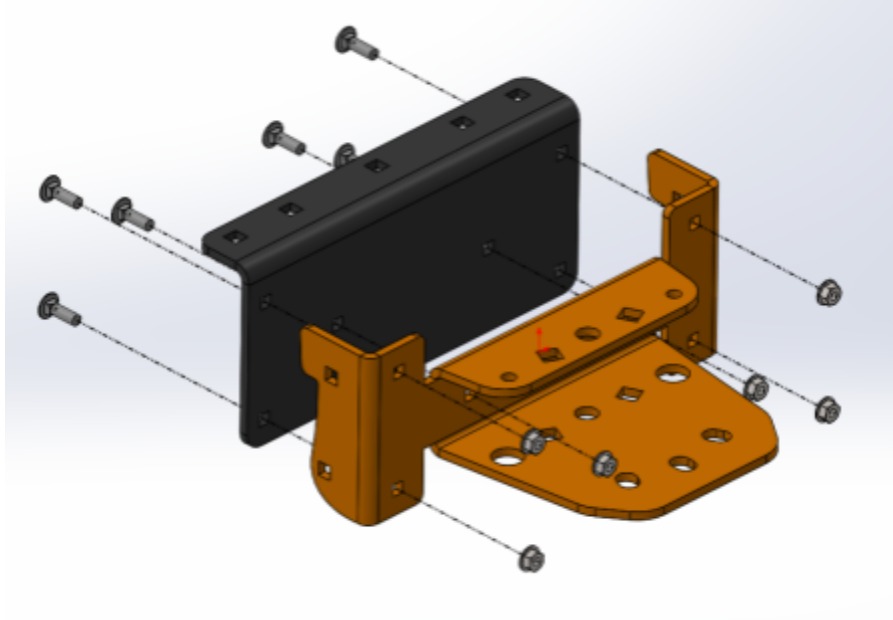
## **Snow Mate 36+ Assembly Instructions**

### Tools Needed

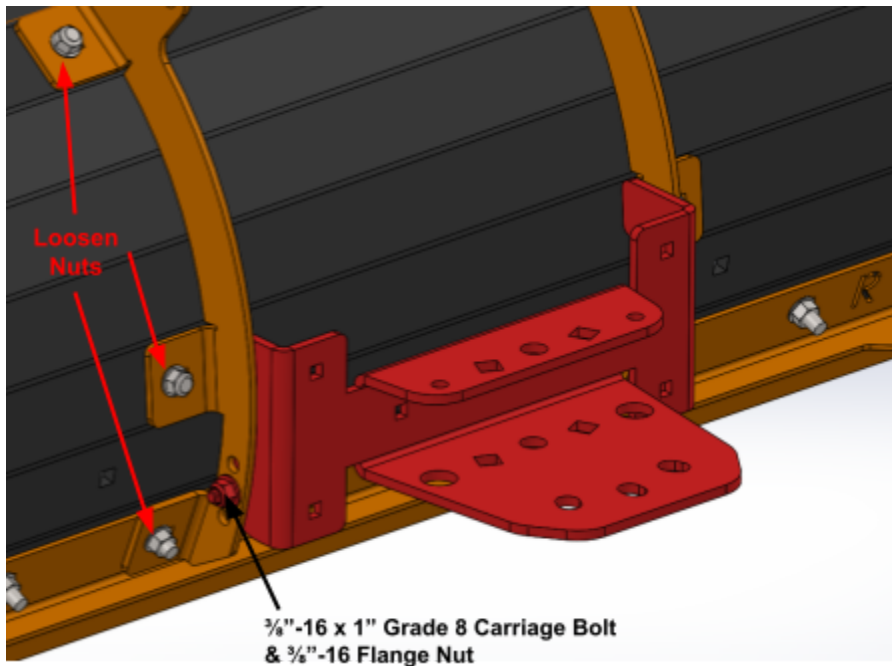
- 9/16in Wrench or socket with ratchet
- 3/4in Wrench or deep socket with ratchet



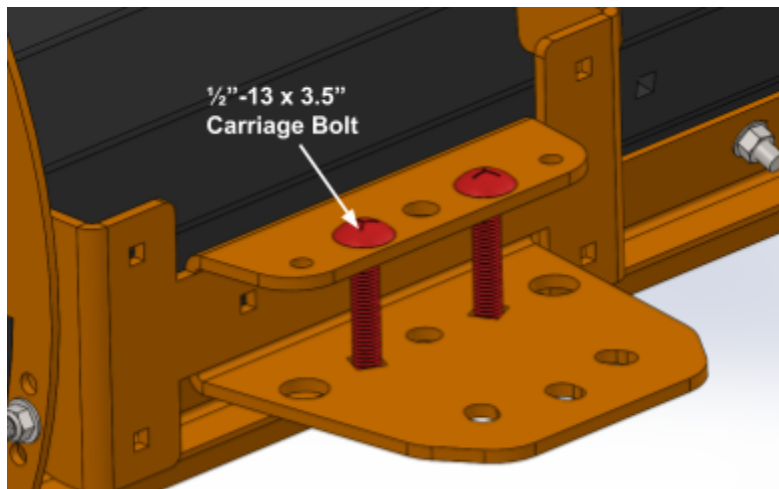
1. Install the reinforcement plate to the snow plow pivot bracket using the six 5/16-18 x 1" carriage bolts and nuts as shown.



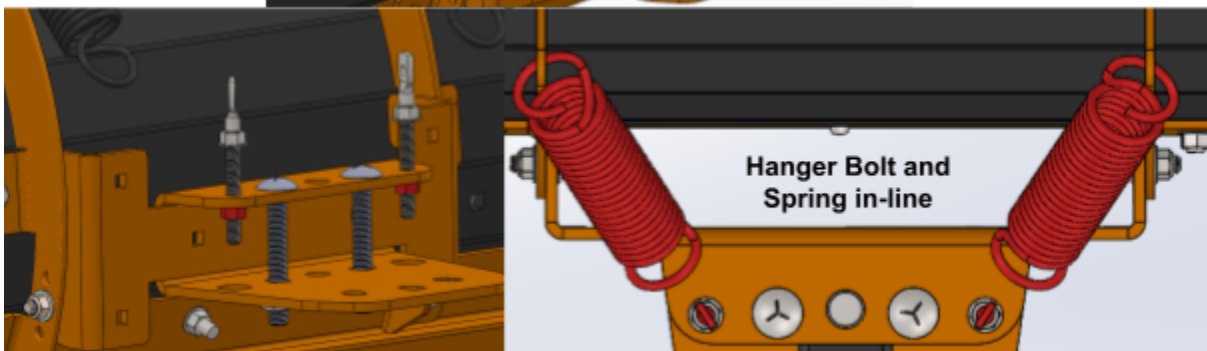
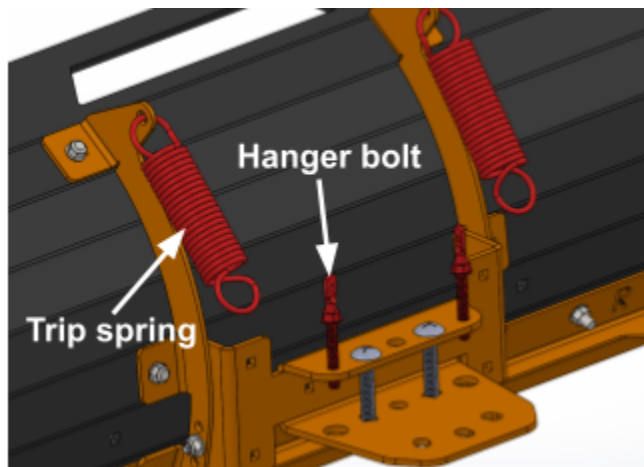
2. Loosen the 6 nuts on the center two plow support brackets
3. Bolt the snow plow pivot bracket into the **center** holes on the main plow assembly using the two 3/8"-16 x 1" grade 8 carriage bolts (gold in color) and the two 3/8"-16 nylon flange lock nuts. Tighten the nylon lock nut so that the pivot bracket is tight but can still rotate on the bolts
4. Re-tighten the 6 nuts loosened in the previous step.



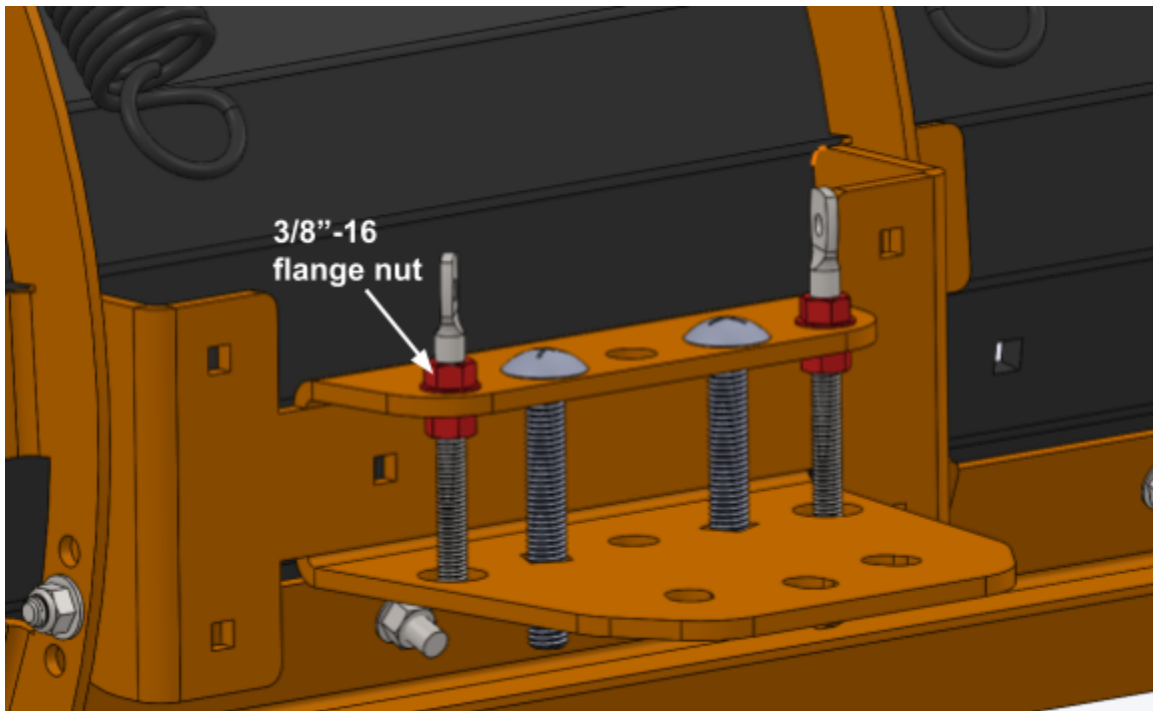
5. Install the two ½-13 x 3.5” carriage bolts into the pivot bracket and tighten nuts from underneath.



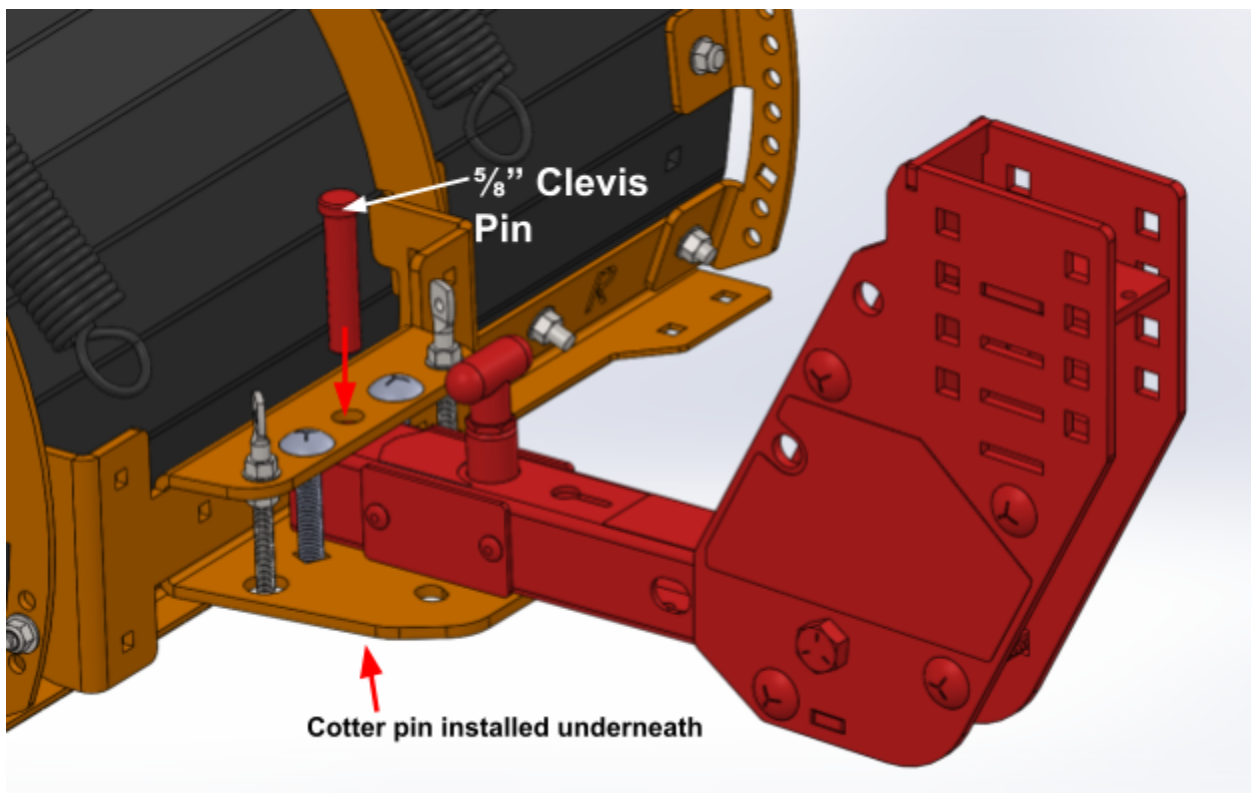
6. Hook the trip springs onto the top of the plow. Make sure to hook the spring into the hole from the center of the plow outwards.
7. Thread one of the ¾-16 flange nuts onto each of the hanger bolts all the way to the top, and then hook the hanger bolt onto the bottom of each spring.
8. Slide the hanger bolt through the designated hole in the pivot bracket and thread on the second ¾-16 flange nut from the bottom. Tighten the 2nd nut so that it pulls down the hanger bolt all the way down and stretches the spring. Tighten down the first nut so that it sits on the pivot bracket. **Make sure the hanger bolt head is turned in line with the spring** so that it is in the strongest orientation. If the flat face is turned towards the spring, it could cause the head of the bolt to break when in use.



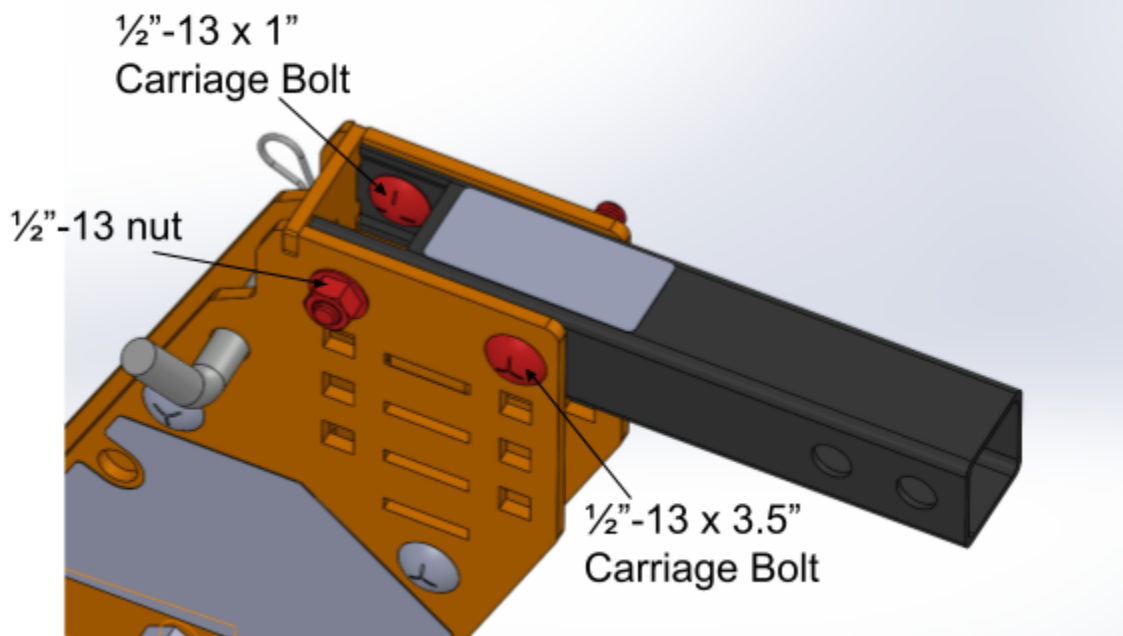
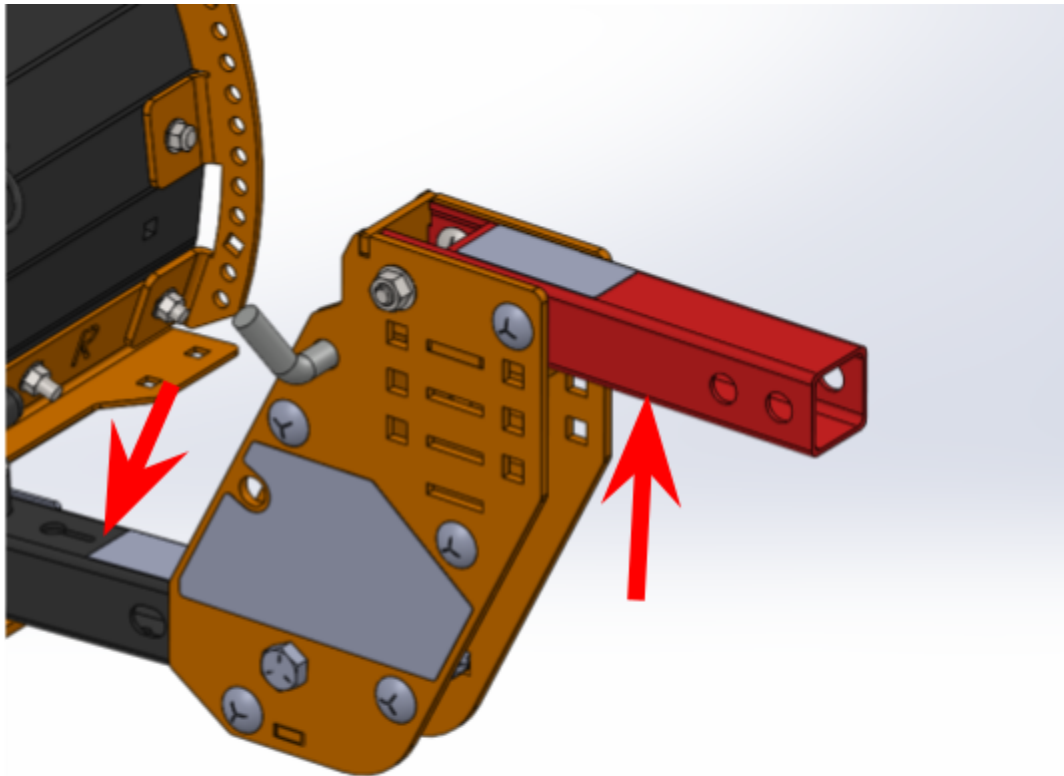
9. Tighten both nuts together so they lock the hanger bolt in place



10. Place knuckle/spine assembly into pivot bracket and insert clevis pin through the holes and secure with the locking cotter pin from the bottom.



11. Install hitch receiver tube into snow mate knuckle. The tube can be bolted at 4 different heights in the knuckle depending on the height of the hitch receiver on the mower. You want the upper and lower square tubes to be parallel when the plow is down and installed on the mower. Install the tube accordingly.



12. If the receiver tube needs to be mounted in a lower mounting position, the nuts on knuckle assembly will need to be loosened. The side plate of the knuckle does not need to be removed, just loosened enough so that the support plate can be moved down with the receiver tube. The support plate should always be right below the receiver tube.

