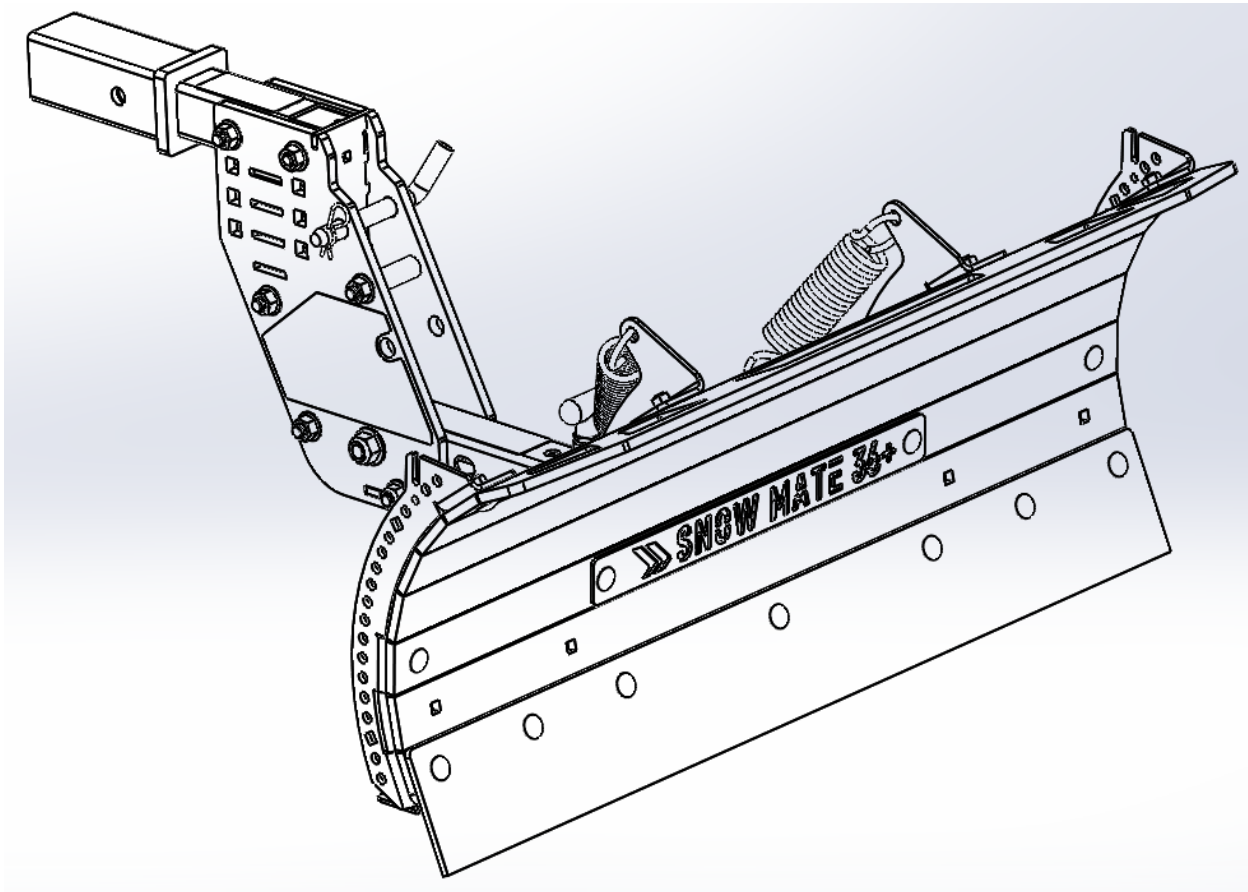




899 Airport Park Road Suite E  
Glen Burnie, MD 21061  
United States

# Owners Manual

## Snow Mate 36+



### Tools Needed

- 1/2in Wrench/Socket
- 9/16in Wrench/Socket
- 3/4in Wrench/Socket

## Introduction

Whenever you need service, genuine Dawson Manufacturing parts, or additional information, contact an Authorized Service Dealer or Dawson Manufacturing Customer Service and have the model of your product ready. Write the numbers in the space provided.

Date Purchased _____.
Model No. _____.

## Safety

Improper use or maintenance by the operator or owner can result in injury. To reduce the potential for injury, comply with these safety instructions. Failure to comply with the instruction may result in personal injury or death.

## Operation

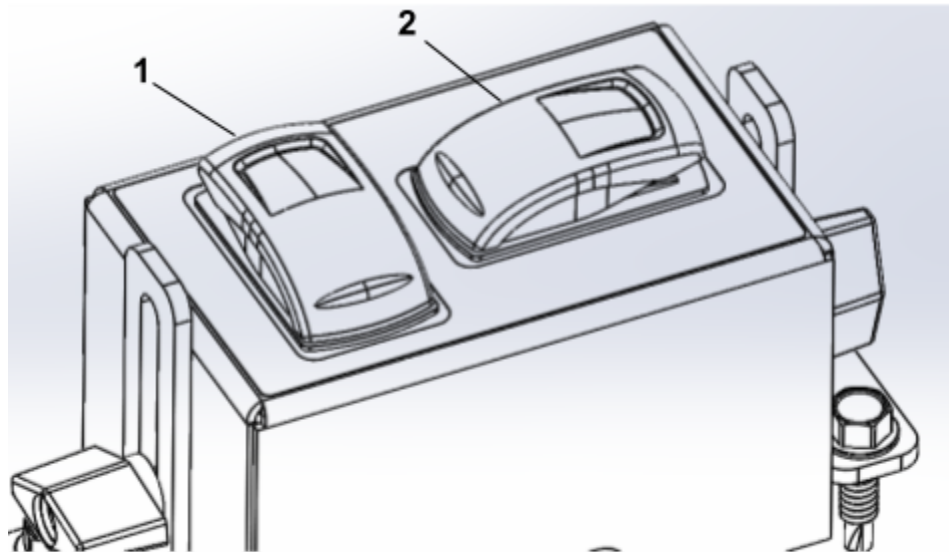
- Do not operate the machine while ill, tired, or under the influence of alcohol or drugs.
- Do not use the plow for any purpose other than plowing snow.
- Never ride or lift persons on the plow.
- Do not operate the plow on a steep incline.
- Always keep both hands on the handlebars while operating the machine and plow.

## Operating Tips

- Become familiar with the area you are plowing; hidden obstructions such as curbs and pipes can damage your plow or machine.
- Do not let snow accumulate; always plow with the storm.
- Lower the plow when not in use to prevent possible injury.
- Always plow at a safe speed (<5mph) in case you hit hidden obstructions.
- Do not change the plow position while plowing.

# Product Overview

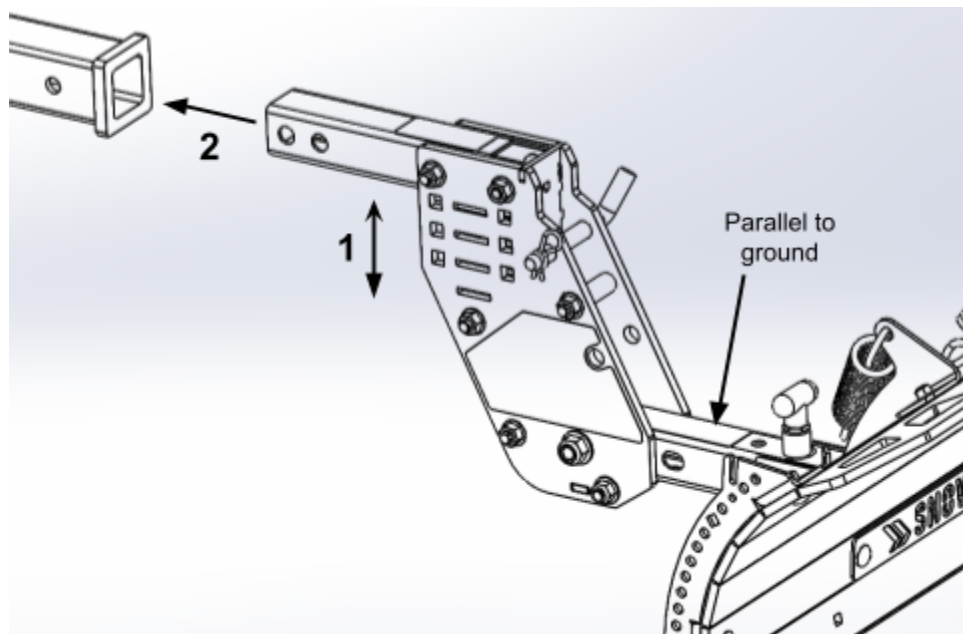
## Controls (for optional Power Pack add-on only)



1. Vertical Lift Switch

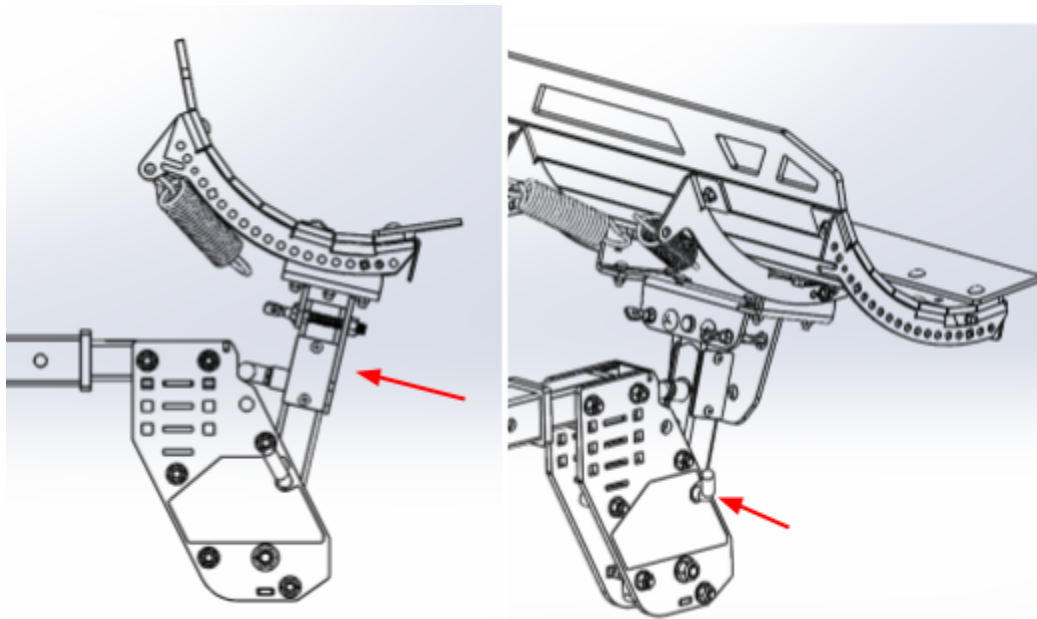
2. Angle Switch

## Mounting the Plow



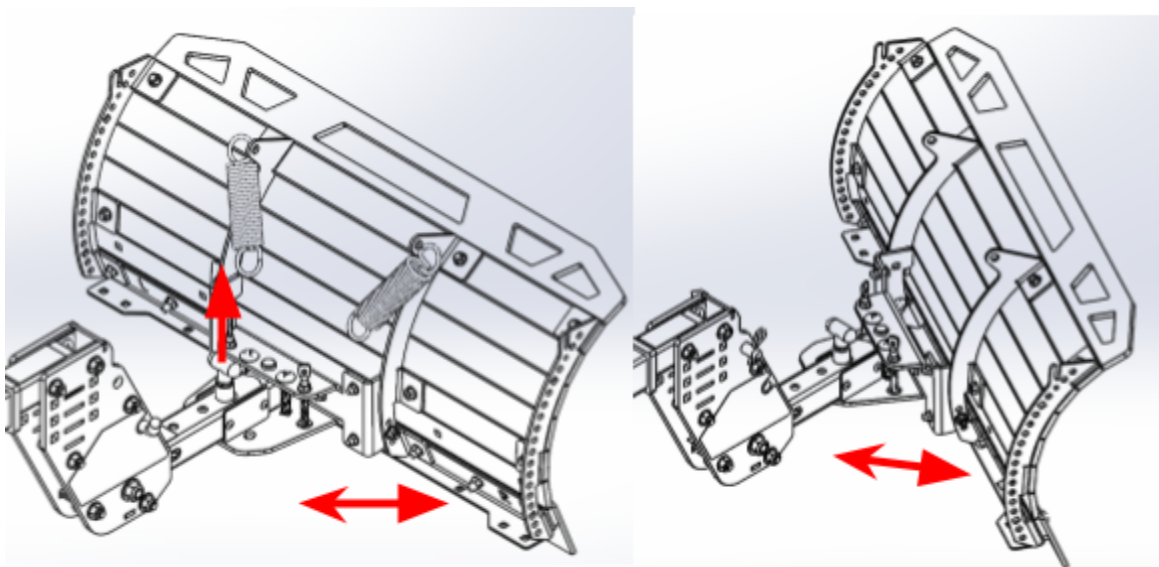
- Adjust the receiver tube up or down (1) so that when it is inserted into the hitch receiver (2), the lower square tube is parallel to the ground

## Transporting the Plow



- Lift the plow as high as possible and insert the hitch pin through the knuckle and the spine to lock the plow in place during transport.

## Turning the Plow (manually)



- Bring the mower to a stop, engage the parking brake
- Lift the T-handle pull pin and push or pull the edge of the plow to turn it left or right

# Maintenance

## Recommended Maintenance Schedule(s)

Maintenance Service Interval	Maintenance Procedure
After the first few hours	<ul style="list-style-type: none"><li>• Tighten all hardware.</li></ul>
Before each use or daily	<ul style="list-style-type: none"><li>• Check the wire harness connectors (power pack only).</li><li>• All fasteners, pins, retainers, nuts, and bolts.</li><li>• Check the cutting edge for wear.</li></ul>
Before storage	<ul style="list-style-type: none"><li>• Grease the linear actuator rods (power pack only).</li></ul>
Monthly	<ul style="list-style-type: none"><li>• Apply dielectric grease to the wire harness connectors (during plowing season) (power pack only).</li></ul>

## Maintenance

- Check daily for loose hardware, weather deterioration, and chemical deterioration. Make all necessary repairs before operating.
- Check the wire harness connectors daily for corrosion and damage.
- Apply dielectric grease to the wire harness connectors monthly, during plowing season.
- Check the cutting edge daily for wear. If the cutting edge is worn down replace it;
- Check all fasteners, pins, retainers, nuts, and bolts daily to ensure that they are secure. Torque them to the appropriate value if they are loose.

# Dawson Manufacturing Warranty

**What this warranty covers:**

This warranty covers defects in material and workmanship except as set forth below.

**Who is covered:**

The original purchaser from an authorized dealer.

**For how long:**

**Complete Product:** 1 year from the date of purchase.

**Labor:** 1 year from the date of purchase for the complete product.

**Parts:** 1 year from the date of purchase. (no Labor)

**What Dawson Manufacturing will do:**

Dawson Manufacturing will, at its sole option, repair or replace defective parts at no charge.

**What you must do for warranty service:**

To obtain warranty service, the purchaser must return the defective product to any authorized Dawson Manufacturing dealer (preferably the one from whom the product was purchased) within the warranty period. Purchaser must be able to verify the original purchase date. All transportation costs to and from the dealer will be the responsibility of the purchaser.

**What is not covered:**

1. Products repaired or altered by anyone other than an authorized Dawson Manufacturing dealer.
2. Products which have been subject to misuse, negligence, accident, improper installation, maintenance, care, or storage.
3. Dawson Manufacturing does not assume liability for damage to your equipment resulting from the attachment or use of any Dawson Manufacturing. Equipment risk is the sole responsibility of the purchaser.

**Limits of Dawson Manufacturing Liability are:**

Dawson Manufacturing's liability is expressly limited to repair or replacement of defective parts. Dawson Manufacturing shall not be liable for consequential, incidental, or contingent damages whatsoever, even if damages are caused by the negligence or fault of Dawson Manufacturing. The foregoing warranties are exclusive and in lieu of all other express and implied warranties including, but not limited to, the implied warranties of merchantability and fitness for a particular purpose.