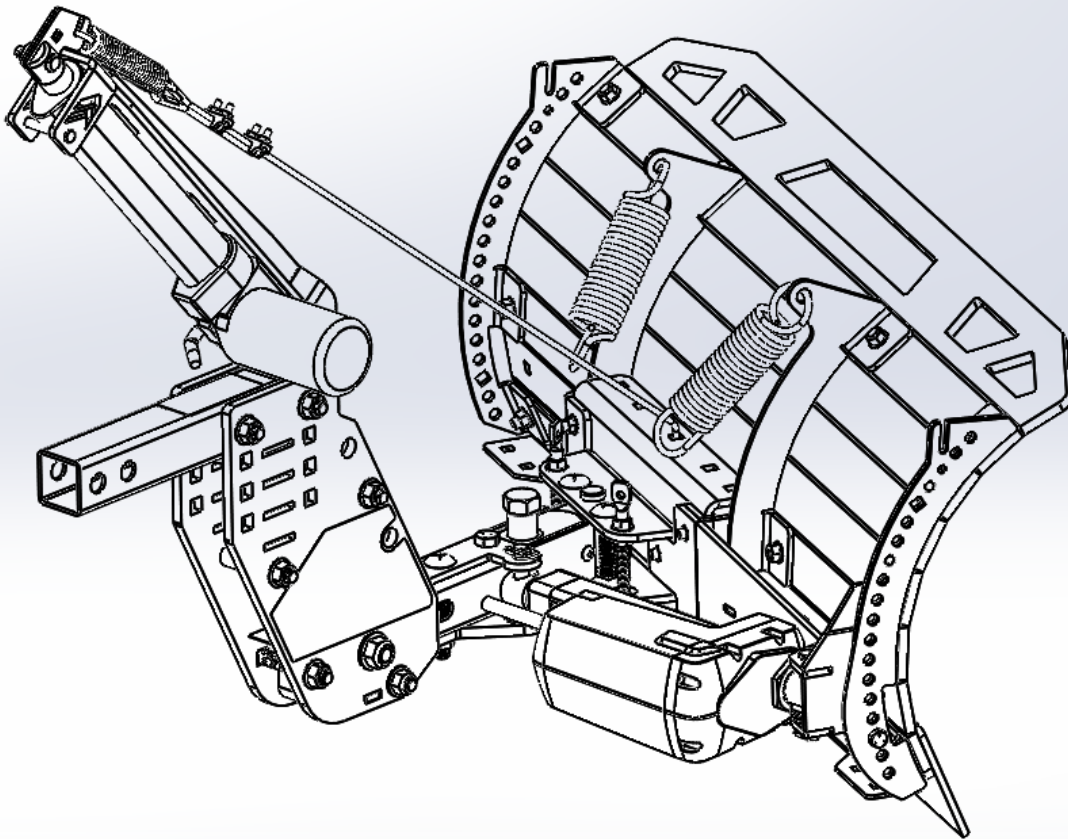




899 Airport Park Road Suite E
Glen Burnie, MD 21061
United States

Installation Instructions

Snow Mate 36+ Power Pack

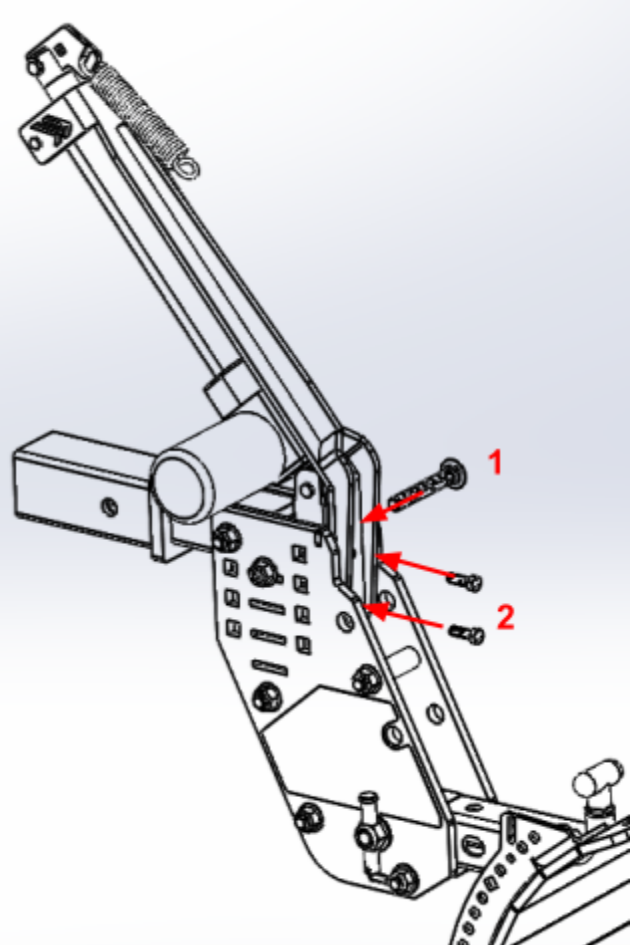
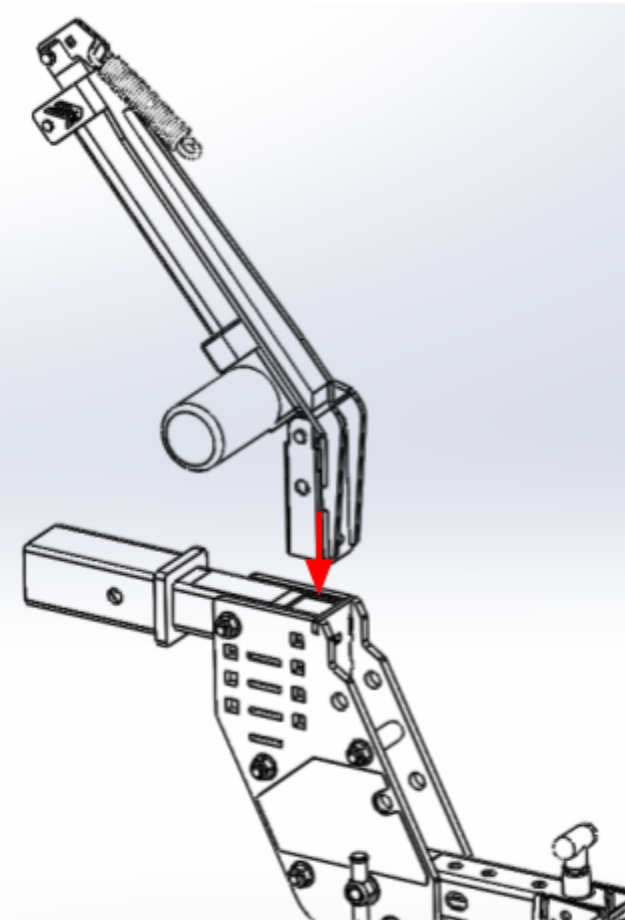


Tools Needed

- 1/2in Wrench/Socket
- 3/8in Wrench/Socket
- 3/4in Wrench/Socket

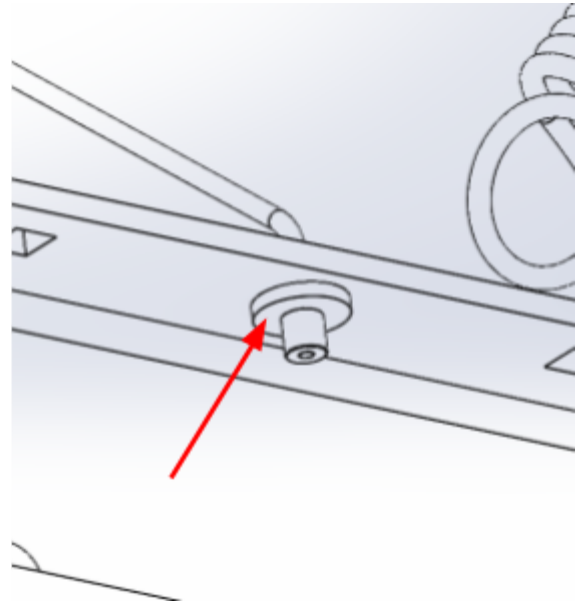
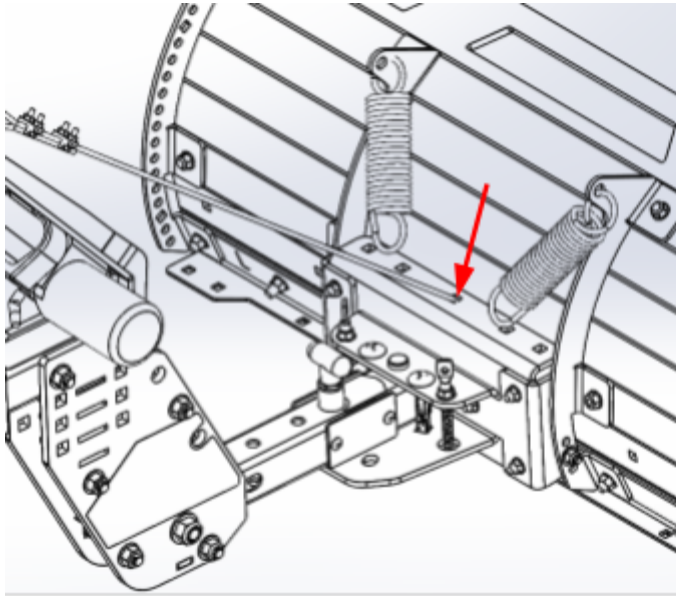
Installing the Lift Actuator Assembly

- Remove the (2) carriage bolts where the lift actuator assembly is to be installed.
- (1) Install the $\frac{1}{2}$ "-13 x 3.5" carriage bolt as shown and install the nut. Hand tight only.
- (2) install the two $\frac{5}{16}$ "-18 x 1" hex bolts as shown.
- Tighten down all hardware.

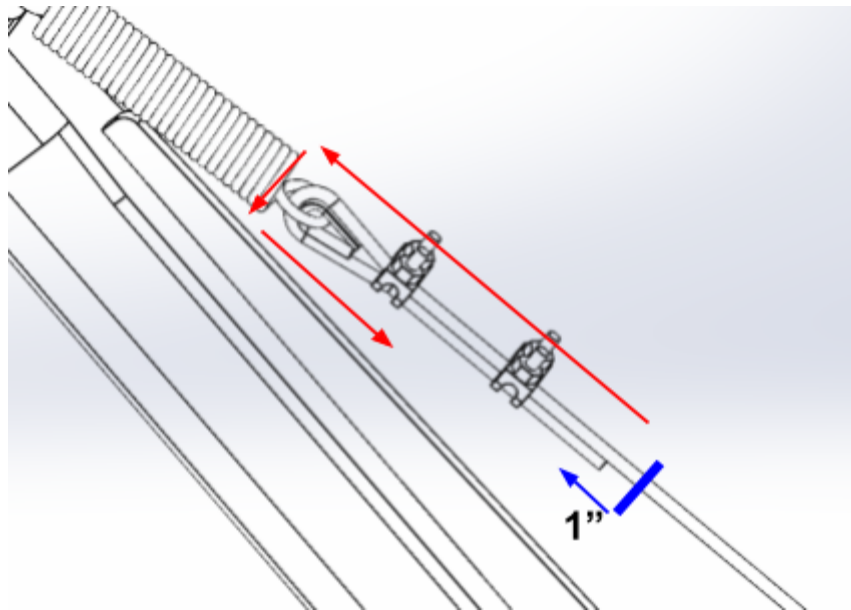


Installing the Lift Cable

- Install the washer onto the cable all the way down to the crimped on stopper.
- Feed the cable up through the hole shown below.

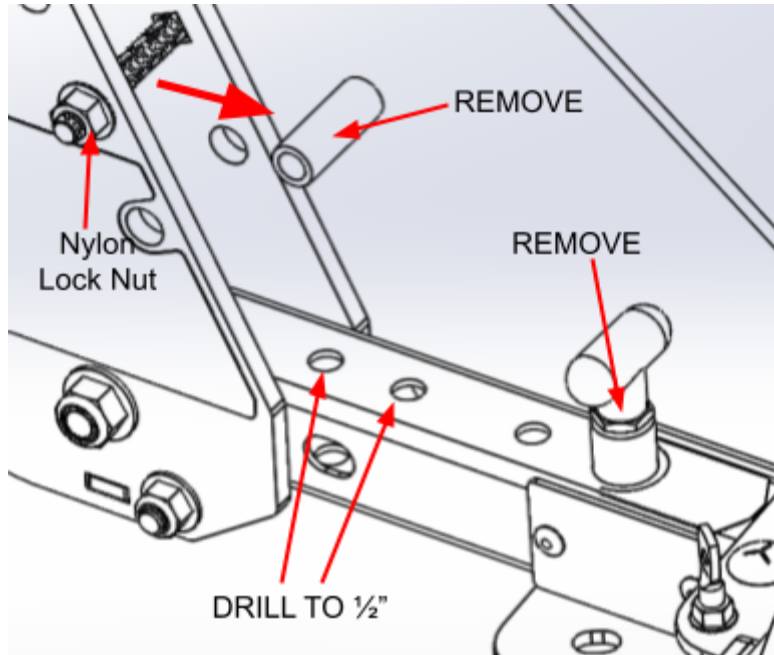


- Slide the two cable clamps onto the cable.
- Loop the cable through the spring and thimble guard as shown.
- Slide the remaining cable back through the two cable clamps and hand tighten.
- With the plow down on level ground, pull the cable tight and mark the location of the end of the cable with tape on the cable section coming up from the plow.
- Pull the cable back approximately 1" so there is some slack in the cable.
- Fully tighten the cable clamps.



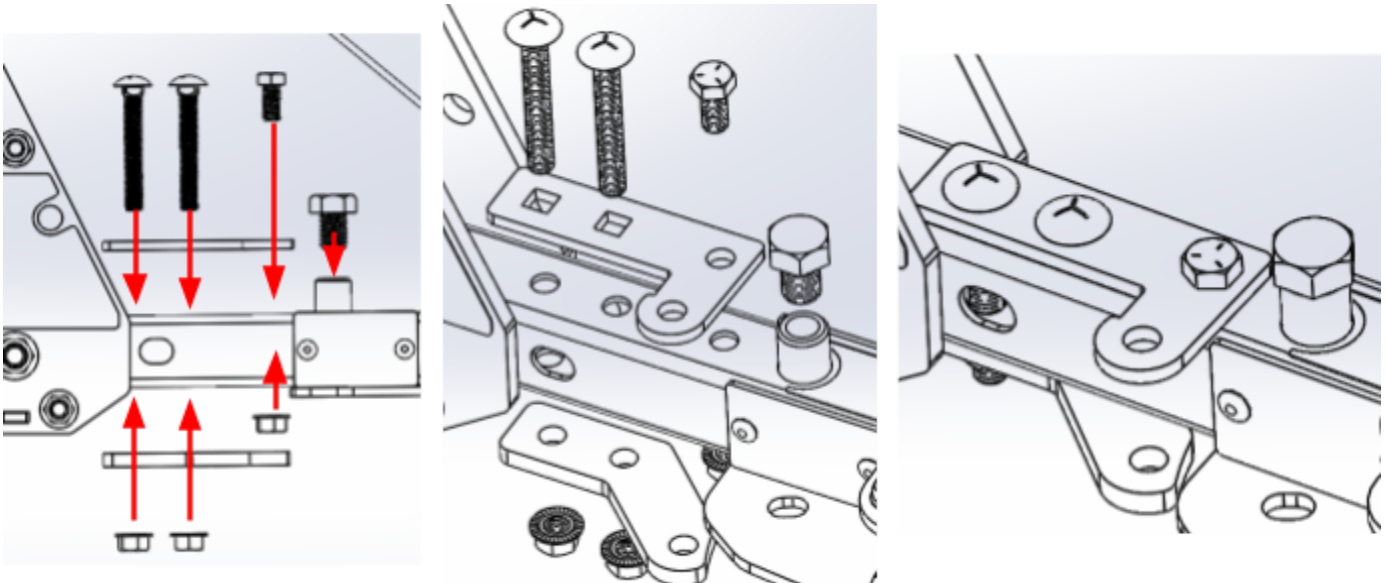
Modifications for Pivot Actuator

- Remove the T-handle and the bolt sleeve on the plow as shown.
- Replace the old flange nut with the provided $\frac{1}{2}$ -13 nylon lock nut and tighten down. Do not over tighten the nut so that the metal bends inwards.
- Drill out the 2 square holes to $\frac{1}{2}$ " holes. Drill all the way through the spine.

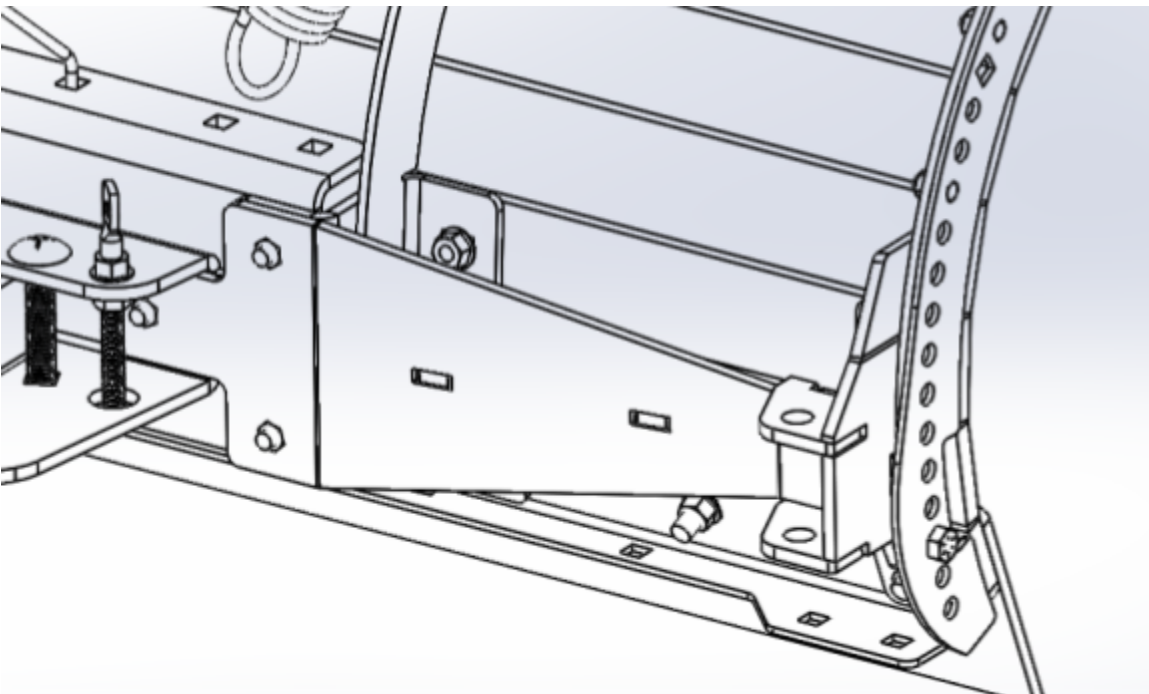
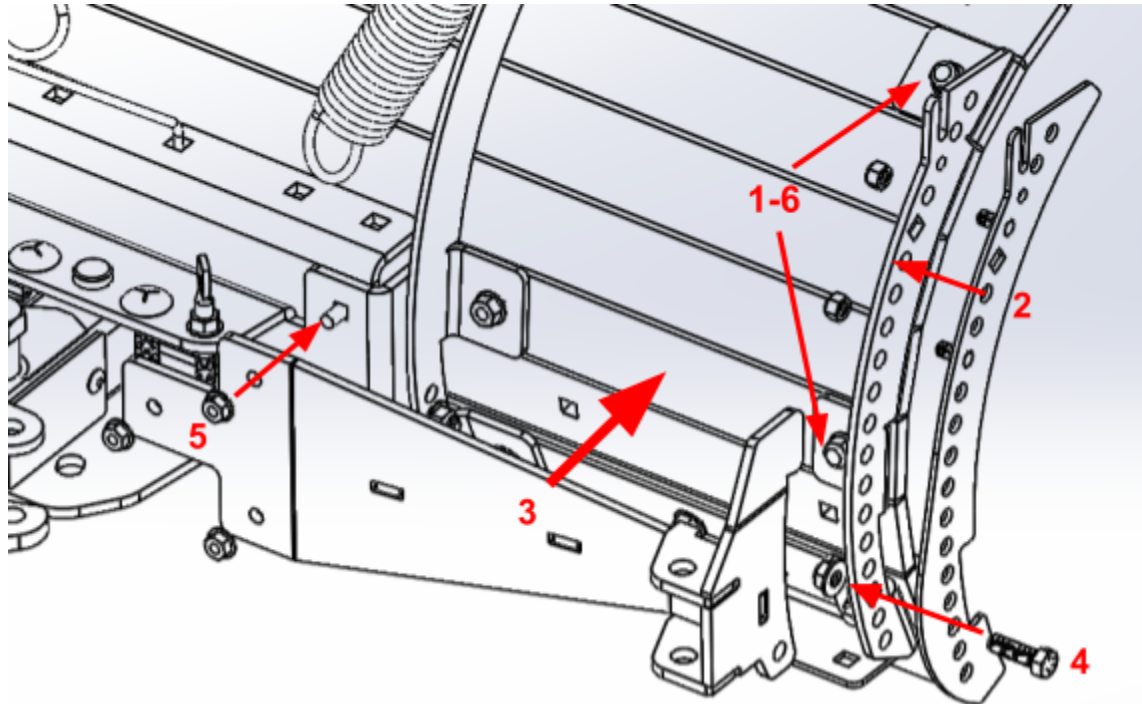


Installing the Pivot Actuator Brackets

- Install the center brackets and hardware as shown.

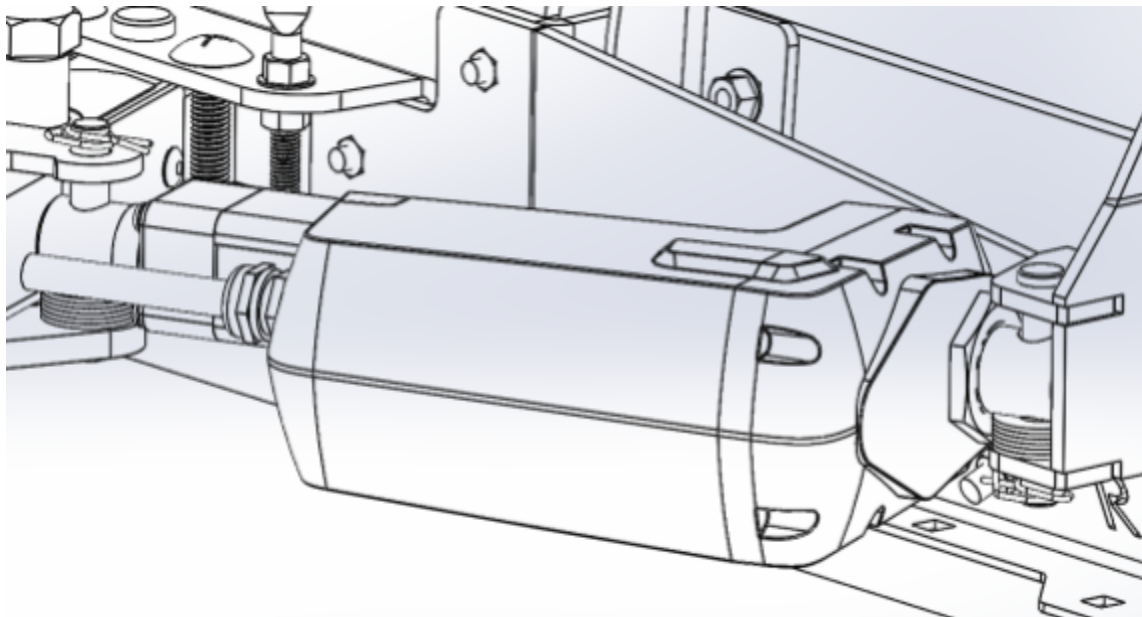
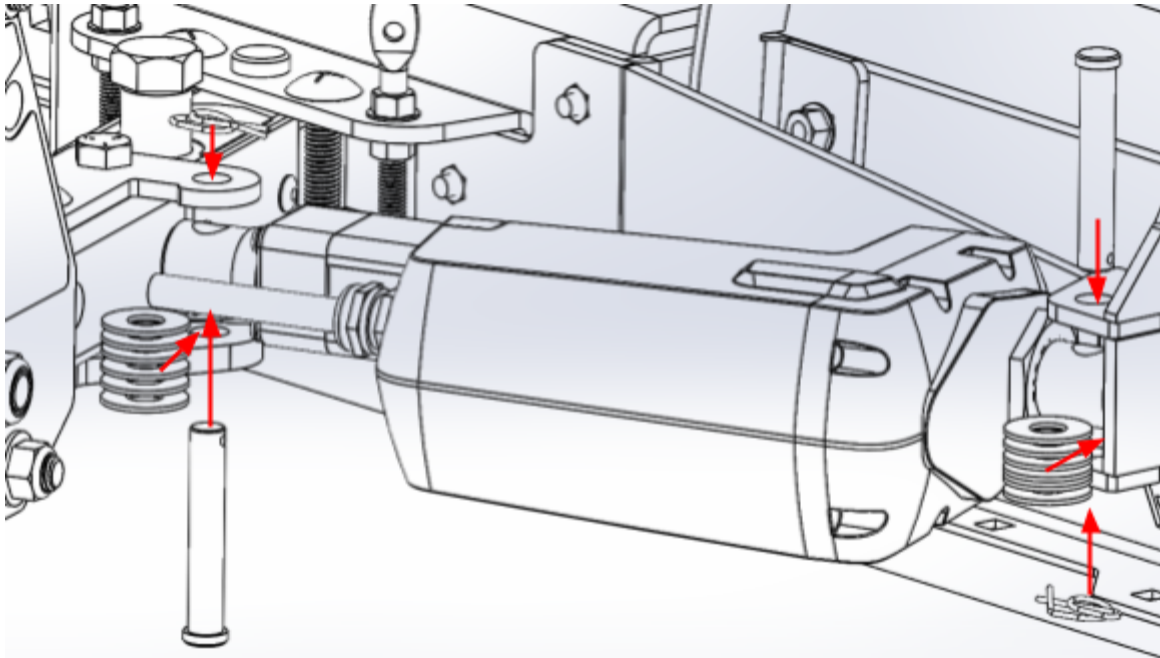


- Loosen the three nuts holding the side bracket (1).
- Install the side reinforcement plate (2) using the two provided nuts.
- Place the pivot actuator mount bracket (3) in place.
- Install the $\frac{3}{8}$ "x16 x 1" hex bolt (4) through the side reinforcement plate/side bracket/and mount bracket as shown and tighten down using the provided nylon lock nut. Do not over tighten. The plow needs to pivot on that bolt.
- Install and tighten down the three flange nuts (5) on the left side of the pivot actuator mount bracket.
- Re-tighten the three nuts loosened in the first step (6)



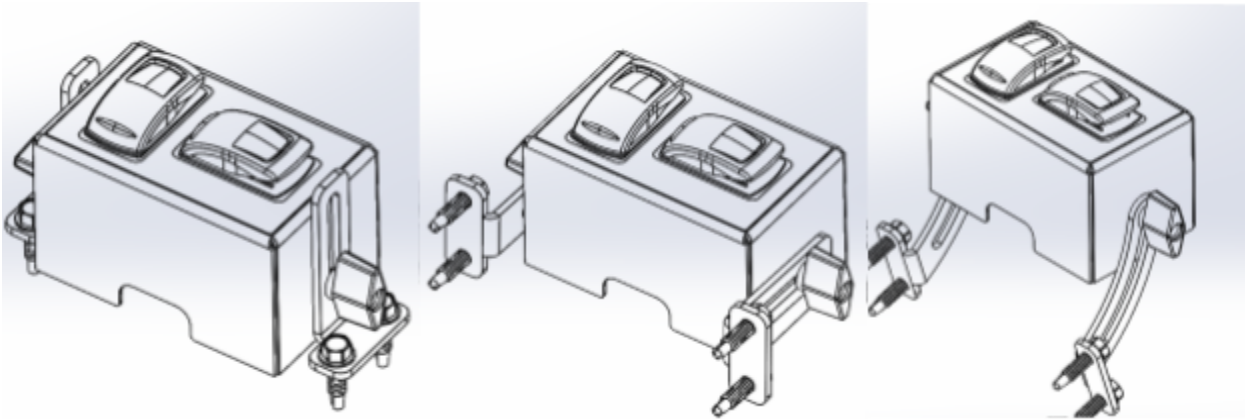
Installing the Pivot Actuator

- Pivot the plow to the right so the actuator can reach both brackets.
- Install the pivot actuator as shown.
- Place 6 washers underneath the actuator on each end.
- Insert the center pin from the bottom up and install the locking pin.
- Insert the outer pin from the top down and install the locking pin.



Installing the Control Box and Harness

- Mount the control box in a place convenient when operating the mower.
- The control box comes with two sets of side arms depending on mounting scenarios.
- Secure using the provided self drilling/tapping screws. Make sure to check where the screws are being installed, and they won't damage any wiring/components below them.



- Route the wiring with the ring terminal connectors to the battery, avoiding any pinch points and hot surfaces.
- Secure in place with the provided zip ties.
- Route the wiring with the black connectors labeled for the actuators along the frame of the mower, also avoiding any pinch points and hot surfaces.
- Secure in place with the provided zip ties.
- Connect the black connectors to the appropriately labeled actuators and connect the ring terminal connectors to the battery. Red to positive and black to negative.
- Test the switches to make sure they work and operate the correct actuators.

Dawson Manufacturing Warranty

What this warranty covers:

This warranty covers defects in material and workmanship except as set forth below.

Who is covered:

The original purchaser from an authorized dealer.

For how long:

Complete Product: 1 year from the date of purchase.

Labor: 1 year from the date of purchase for the complete product.

Parts: 1 year from the date of purchase. (no Labor)

What Dawson Manufacturing will do:

Dawson Manufacturing will, at its sole option, repair or replace defective parts at no charge.

What you must do for warranty service:

To obtain warranty service, the purchaser must return the defective product to any authorized Dawson Manufacturing dealer (preferably the one from whom the product was purchased) within the warranty period. Purchaser must be able to verify the original purchase date. All transportation costs to and from the dealer will be the responsibility of the purchaser.

What is not covered:

1. Products repaired or altered by anyone other than an authorized Dawson Manufacturing dealer.
2. Products which have been subject to misuse, negligence, accident, improper installation, maintenance, care, or storage.
3. Dawson Manufacturing does not assume liability for damage to your equipment resulting from the attachment or use of any Dawson Manufacturing. Equipment risk is the sole responsibility of the purchaser.

Limits of Dawson Manufacturing Liability are:

Dawson Manufacturing's liability is expressly limited to repair or replacement of defective parts. Dawson Manufacturing shall not be liable for consequential, incidental, or contingent damages whatsoever, even if damages are caused by the negligence or fault of Dawson Manufacturing. The foregoing warranties are exclusive and in lieu of all other express and implied warranties including, but not limited to, the implied warranties of merchantability and fitness for a particular purpose.