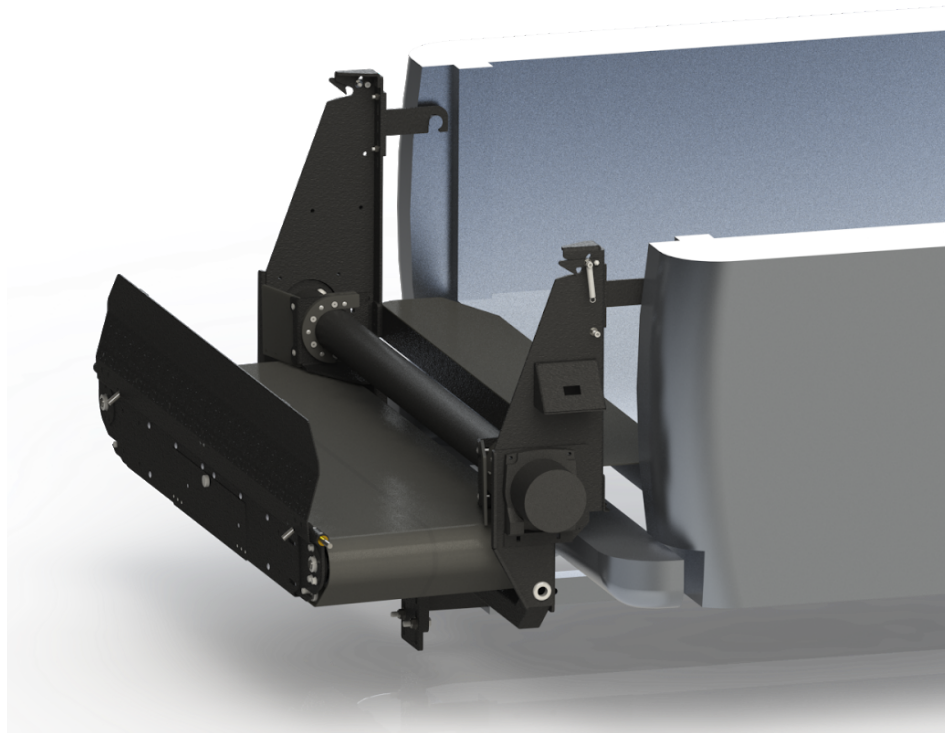




Operator's Manual
Parts Manual





Dawson Manufacturing LLC
899 Airport Park Rd #E
Glen Burnie, MD 21061
888-77MULCH
www.MulchMateUSA.com

Product and Contact Information

Please contact your authorized Truck Mate dealer for information and service on your product. Always provide your product model and serial number listed below.

Dealer Name: _____

Dealer Address: _____

Dealer Phone: _____

Date Purchased: _____

Model Number: _____

Serial Number: _____

Table of Contents

Introduction

Product Description	page 3
Read Manual Before Use	page 3
Using Your Manual	page 3
Parts Location	page 4

Safety

Safety Decals	page 4
General Safety Procedures	page 6
Training Requirements	page 6
Personal Protective Equipment Requirements	page 6
Operation Safety	page 6
Preventing Accidents	page 7
Roadway Safety	page 8
Maintenance Safety	page 8

Operations

Truck Mate Functionality	page 8
Quick Safety Check	page 9
Operating the Unit	page 9
Pull Out Tarp for Loading	page 9
Covering Load for Transporting	page 10
Preparing for Transport	page 10
Using Unit on Site	page 10
Closing the Unit	page 11
Removing Conveyor Assembly	page 11

Maintenance

Cleaning and General Maintenance	page 12
Warranty	page 12

Introduction



Dawson Manufacturing LLC is pleased to provide you with your new Truck Mate material delivery system. We hope you enjoy many years of great service and productivity with this fine product.

Product Description

With our Patented design you can fill your truck with material and unload it directly into a wheelbarrow with the simple push of a button, eliminating the back-breaking job of shoveling for hours. The unique tarp system pulls material into the unit where it gets cross conveyed to wheelbarrows, containers, or straight onto the ground. Another unique design of the Truck Mate is the removable conveyor system to allow you to use the tarp system to dump bulk material straight onto the ground.

****Read the Operations Manual Completely Before Use****

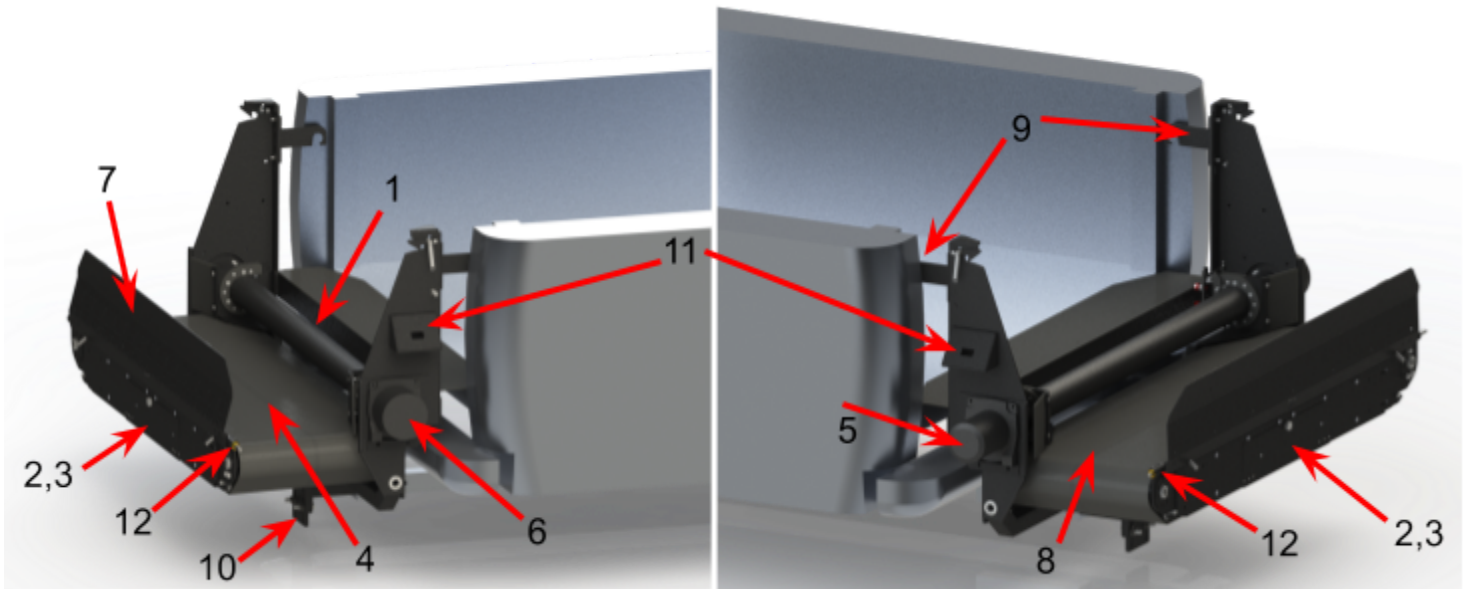
Using Your Manual

This manual has been created to help you gain the important knowledge of what is needed to safely operate, maintain and service your new equipment. It is divided into sections for convenient reference of the appropriate information.

You must read and understand the operator's manual before operating your new equipment. Understanding the operator's manual will help you, as well as others, avoid personal injury and/or damage to the equipment. The operator's manual should stay with the equipment at all times even when sold.

The information in this manual provides the operator with the safest procedures to operate the equipment while getting the maximum benefits out of your unit. Failure to follow the safety instructions in this manual may result in personal injury and/or damage to your equipment.

Parts Location



- | | | |
|-------------------------|------------------------------|------------------------------|
| 1. Tarp Roller | 2. Electrical Access Panel | 3. Belt Tension Tool Storage |
| 4. Conveyor Belt | 5. Tarp Motor | 6. Tarp Gear Set |
| 7. Back Deflector Panel | 8. Conveyor Motor (internal) | 9. Mounting Support Bar |
| 10. Hitch Mount | 11. Control Panel | 12. Latch pins |

Safety

Safety Decals

Throughout the manual you will encounter special messages and symbols that will identify potential safety concerns to help you as well as others avoid personal injury and/or damage to your equipment.





ATTENTION

This symbol indicates potential health and safety hazards. It marks safety precautions. Your safety and safety of others is involved.

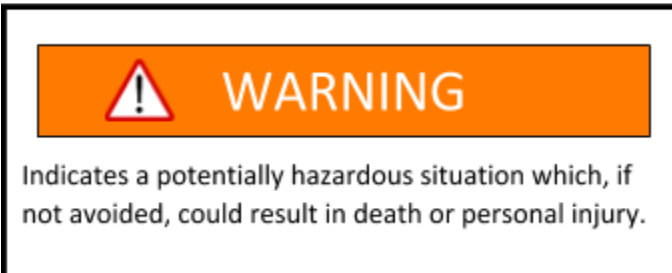
There are three signal words that describe the level of safety concern. Danger, Warning and Caution. Safety should always be the #1 priority when working on or operating any equipment. Accidents are more likely to occur when proper operating procedures are not followed, or inexperienced operators are involved.


Signal Word Definitions



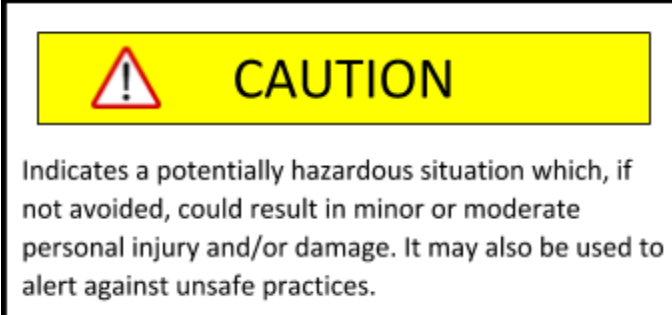
 **DANGER**


Indicates an imminently hazardous situation which, if not avoided, will result in death or serious injury. This word is limited to the most extreme cases.



 **WARNING**

Indicates a potentially hazardous situation which, if not avoided, could result in death or personal injury.



 **CAUTION**

Indicates a potentially hazardous situation which, if not avoided, could result in minor or moderate personal injury and/or damage. It may also be used to alert against unsafe practices.

Keep all safety decals clean and legible at all times. Remove dirt, grease and debris from safety decals and instructional labels. If any decals become damaged, faded, illegible or missing, contact your Mulch Mate dealer promptly for replacements. These safety decals and labels are there to help warn and protect you and others. Please take these warnings seriously and refer to the operator's manual often to stay familiar with all safety information.

Safety



General Safety Procedures

Training Requirements

- The owner of this machine is solely responsible for properly training the operators.
- The owner/operator is solely responsible for the operations of this machine and prevention of accidents or injury occurring to him/herself, other people or property.
- Do not allow operation or service of this unit by children or untrained personnel. Local laws or regulations may restrict the age of the operator.
- Before operating this machine, read the operator's manual and understand its contents.
- Read and understand all safety information.
- Learn and understand the use of all controls.
- Never stand in a location where the machine has a possibility of falling or pinching the operator or other people.

Personal Protective Equipment Requirements

It is the responsibility of the owner to be sure that the operators use the proper personal protective equipment while operating the machine. Required personal protective equipment includes, but is not limited to the following list.

- Safety glasses while operating the machine to prevent eye injury.
- Closed toe shoes.
- Long pants.
- When operating in dusty conditions, it is recommended that a respirator should be worn.

Operation Safety

- Inspect machine before operation. Repair or replace any damaged, worn or missing parts. Be sure guards and shields are in proper working condition and are secured in place. Make any necessary adjustments before operating the machine.
- Some pictures in this manual may show shields or covers opened or removed in order to clearly illustrate some instructions. Under no circumstance should the machine be operated without these devices in place.
- Alterations or modifications to this machine can reduce safety and could cause damage to the machine and/or injury to the operator and others. Do not alter any safety devices or operate with shields or covers removed.
- Before each use, verify that all controls function properly and inspect all safety devices. Do not operate if controls or safety devices are not in proper working order.
- Observe and follow all safety decals.
- Ensure machine latches and locks are all in place and functioning correctly.

Safety

General Safety Procedures (cont)

Operation Safety (cont.)

- Always be alert to what is happening around you, but do not lose focus on the task you are performing. Watch the functions of the machine whenever the machine is on and operating.
- Stop the machine at any sign of equipment failure. An unusual noise can be a warning of equipment overload or failure, or a sign that maintenance or repair is required. Make all necessary repairs before operating the machine again.
- Only operate in well-lit conditions.
- Do not operate when there is a risk of lightning.
- Never discharge material (i.e. mulch) against a wall or obstruction.

Preventing Accidents

- When loading material ensure workers in the truck bed are clear of any moving parts before operating the machine.
- When using the remote-control devices, ensure all workers and bystanders are completely clear of any moving parts of the machine. Make sure remote-control devices are turned off and stowed away when not in use.
- NEVER run the machine when people are standing in the truck.
- NEVER put hands, tools, or any debris of any kind in the machine when operating
- NEVER stand on the conveyor assembly
- Keep hands, fingers, hair, jewelry, and loose clothes always from any moving parts.
- ***When lifting/closing the conveyor assembly, make sure latch pins on both sides are fully engaged, and safety pins are installed so conveyor assembly can not fall down when driving***
- Do not operate this machine if you are under the influence of any substance that may impair your judgement or are not in good physical health.

Safety

General Safety Procedures (cont.)

Roadway Safety

- Obey all state and local laws concerning operation on roadways.
- Place traffic safety cones around your vehicle in accordance with state and local laws.
- Always pay attention while driving to be sure no material is dropping from the machine.

Maintenance Safety

- Before performing any maintenance or repair on the machine, disconnect the power wires.

Do not slam the conveyor assembly when unlatching and lowering it

Always ensure the machine is latched and locked in place before moving the vehicle. Always do a walk around inspection before moving the vehicle.

Truck Mate Functionality

The Truck Mate can be used in multiple different ways. It is designed to replace the tailgate on a pickup truck. When folded up, in its stored position, it functions as a tailgate and will keep whatever is put in the bed of the truck from falling out. When folded down, it is designed to automatically remove whatever is in the bed of the truck using a tarp system. When the material is being removed it falls onto a cross conveyor that transfers the material to the drivers side OR passengers side of the vehicle to be dumped or to fill a container(ie. wheelbarrow). The conveyor assembly of the Truck Mate can also be removed while allowing the tarp system to work independently. This allows whatever is in the truck bed to be quickly dumped/removed out the back of the truck.

Operations

Quick Safety Checklist

- Always check all safety devices before driving vehicle or operating the machine.
- Ensure the machine is latched and locked before driving vehicle.
- Ensure operators and bystanders are clear before operating the machine.
- Follow all safety decals and instructional stickers.
- When dropping the conveyor, ensure all areas around the machine are clear of people, animals, and/or obstructions of any kind.

Operating the Unit

The Truck Mate is designed to be operated while your truck is running. If the truck is not turned on the Truck Mate will not work.

- Push the toggle switch to “LOAD” to run the tarp and conveyor together.
- Push the toggle switch to “FILL” to run the conveyor only



Operations

Pulling Out Tarp/Loading Material

Tools Needed

-Wireless Remote

- While standing inside or alongside the truck bed, grab the tarp. Turn the wireless remote on, by pressing and holding both buttons for 5 seconds, and press the “left” button while pulling the tarp from the machine. Pull out enough tarp to extend the length of the truck bed and to go up and over the front wall of the bed. If not enough tarp is pulled out, then the tarp may be pulled out from underneath the mulch when operating.
 - Clean any loose material from under the tarp before reloading.
 - DO NOT OVERLOAD MATERIAL.

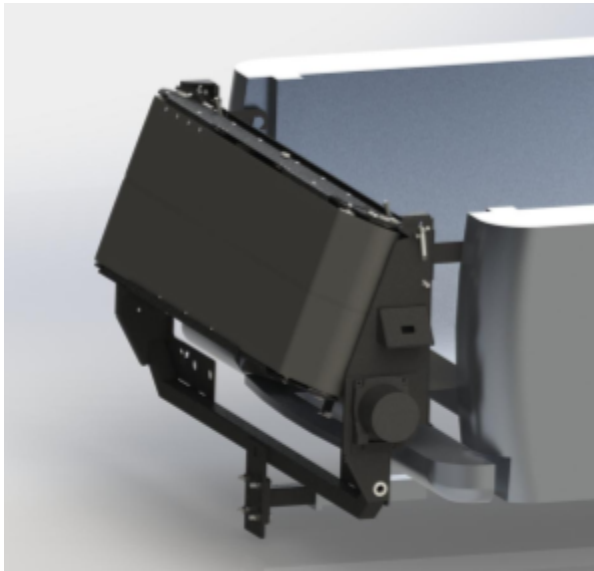


Covering Load for Transporting

- After loading the truck with material, you will need to cover the load to transport.

Preparing for Transport

- Before driving the vehicle, close the conveyor assembly and make sure all latch pins and locks are correctly installed and operating correctly.
- Ensure your load is covered



Operations

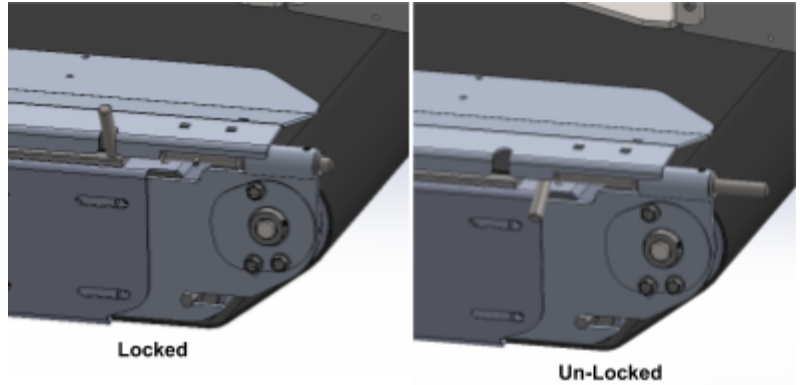
Using Unit on Site

- Remove safety pins in latch assembly
- Pull in latch pins on each side of conveyor assembly while supporting the conveyor.
- When the second latch is pulled, the conveyor will drop down like a tailgate. Do not let it slam.
- Fold up the back mulch deflector
- Place a wheelbarrow under the conveyor assembly on either side
- Press and hold the toggle switch in the “LOAD” position. This will run both the tarp and the conveyor at the same time. When the wheelbarrow is halfway full, push the toggle switch to the “FILL” position to just run the conveyor belt. This helps prevent the belt from overloading with too much material.
- The power may be left on while running material, but care must be taken to ensure no unauthorized persons have access to the machine when unattended.
- **Occasionally you must clear the conveyor belt of built up material by pressing the toggle switch to the “FILL” position. This will run the conveyor by itself clearing the belt of any built-up material.**

Operations

Closing the Unit

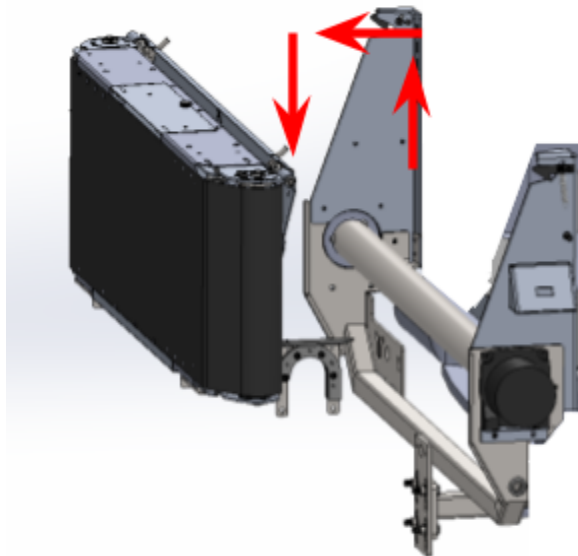
- Make sure all material is cleared off of the conveyor belt.
- Lower the back mulch deflector.
- Engage the latches on the sides of the conveyor assembly so that the handles are down and the pins are sticking out of the sides.
- Lift up and latch the conveyor assembly.
- Re-install the safety pins so the conveyor assembly can not unlatch while driving.



Removing the Conveyor Assembly

The conveyor assembly can be removed so bulk material can be unloaded directly out of the bed using just the tarp roller.

- Lift up the conveyor assembly so it is in the closed and locked position.
- Unplug and tuck away the small anderson connector and 4 pin connector from the back of the conveyor assembly.
- Remove linch pins, screw plates, and tube latch plates from under conveyor assembly on both sides.
- With the help of a second person, disengage the latch pins, lift and remove the conveyor assembly.



Maintenance

Cleaning and General Maintenance

- Clean machine of all material daily after use.
- Ensure tarp is clean and rolled correctly daily after use.
- Inspect and tighten conveyor belt as needed.
- Clean and lube bearings monthly.
- Inspect moving parts for wear monthly.

Warranty

LIMITED 1 YEAR MANUFACTURER PARTS WARRANTY: The manufacturer warrants the parts of this product to be free from defects in workmanship and materials, under normal use and conditions, for a period of three (1) years for parts and one (1) year for Parts and labor from the original invoice date. Shipping and handling fees are to be paid for by the customer. The manufacturer agrees, at its option during the warranty period, to repair or replace any defective part or to furnish a repaired or refurbished part of equal value in exchange without charge (except for a fee for shipping, handling, packing, return postage, and insurance which will be incurred by the customer). Such repair or replacement is subject to verification of the defect or malfunction and proof of purchase as confirmed by showing the model number and serial number on original dated sales receipt.

WARRANTY LIMITATIONS

This warranty does not include: · Any condition resulting from other than ordinary use for which the product was intended, such as use of materials not recommended or over loading of unit · Any condition resulting from incorrect or inadequate maintenance or care · Damage resulting from misuse, abuse, negligence, accidents or shipping damage · Normal wear and tear · Tarp is not included

Product Liability Indemnification. Buyer will indemnify, defend and hold harmless Seller, each of its Affiliates, and each of its and its Affiliates employees, officers, directors and agents (each, a Seller Indemnified Party) from and against any and all liability, loss, damage, expense (including reasonable attorney's fees and expenses) and cost (collectively, a Liability) that the Seller Indemnified Party may be required to pay to one or more Third Parties resulting from or arising out of (a) personal injury or death of any person as a result of use of any Product supplied or sold by Dawson MFG or its Affiliates or sublicensees or (b) the conduct by Buyer or its Affiliates or licensees or sublicensees.