

MAX BR1 MK2 cellular router

Industrial-Grade 4G LTE Router



Automatic Failover 4G LTE Router.

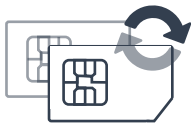
The BR1 offers redundant SIM slots with automatic switching, DC or terminal block power capability, advanced GPS fleet tracking, and remote management, all packed into a durable metal enclosure.



Works With



And worldwide 4G LTE/3G carriers



Redundant SIM Slots for Multiple Carriers.

Redundant SIM slots with automatic switching for reliable network. You can set the BR1 to automatically switch SIM cards when you're in danger of exceeding a data cap. It also allows you travel across borders without changing SIM cards manually.



Fleet Tracking and Management

With built-in GPS fleet tracking and InControl cloud-based management, you can keep tabs on location and manage your mobile network from any Internet-connected device.



Customize Captive Portal

Branding your captive portal is as easy as uploading your logo and terms & conditions. You can easily set bandwidth allowance and access duration per user or manage access using RADIUS.



SpeedFusion Hot Failover

SpeedFusion technology powers MAX BR1 for seamless failover.



Terminal Block for Secure Power Supply

MAX BR1 is equipped with a terminal block for secure power installation in vehicles and other locations.



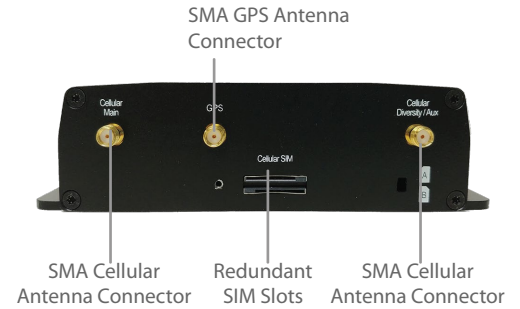
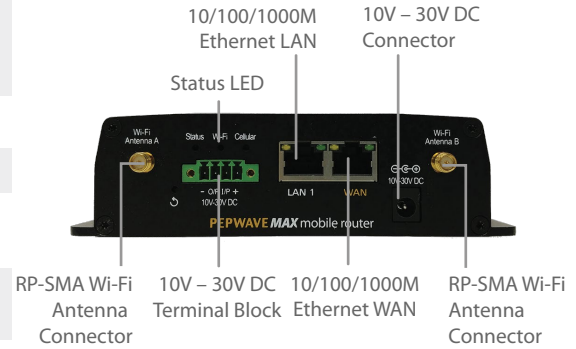
Certified Toughness

In addition to rugged metal enclosure, BR1 has certifications on:
 Shock and vibration resistance (EN 61373:1999, IEC 61373:1999)
 Railway applications (EN 50155)
 Electromagnetic Compatibility (EN 61000)

Specifications

MAX BR1 MK2

WAN Interface	1x GE 1x Embedded LTE-A Modem with Redundant SIM Slots
LAN Interface	1x GE
Wi-Fi Interface	802.11ac/a/n 2x2 MIMO Wi-Fi AP 802.1b/g/n 2x2 MIMO Wi-Fi WAN
Router Throughput	100Mbps
Recommended Users	1-60
Cellular and GPS Antenna Connector	2x SMA Antenna Connectors 1x SMA GPS Antenna Connector 2x Wi-Fi Connector
Power Input	DC Jack/Terminal Block: 10V – 30V DC
Power Consumption	16W (max.)
Dimensions	5.8 x 5.0 x 1.6 inches 147 x 128 x 40 mm
Weight	0.96 pound 435 grams
Operating Temperature	-40° – 131°F -40° – 55°C
Humidity	15% – 95% (non-condensing)
Certifications	FCC, CE, RoHS, E-Mark Class I, Division II: Hazardous Locations RF Port Lightning Immunity: ITU-T K.20 (+/- 1.5 kV) EN 61373:1999 IEC 61373:1999 : Shock and Vibration Resistance EN 50155: Railway Applications EN 61000: Electromagnetic Compatibility
Warranty	1-Year Limited Warranty



Ordering Information

	Product Code	Carrier/Region	Embedded Modem	4G Bands/Frequencies (MHz)	3G Bands/Frequencies (MHz)
LTEA	MAX-BR1-MK2-LTEA-W-T	Worldwide	1	FDD LTE: B1/2100, B2/1900, B3/1800, B4/AWS, B5/850, B7/2600, B8/900GSM, B12/700a, B13/700c, B20/800DD, B25/1900+, B26/850+, B29/700d, B30/2300WCS, B41/TD2500	WCDMA/HSPA+/DC-HSPA+: B1/2100, B2/1900, B3/1800, B4/AWS, B5/850, B8/900
	MAX-BR1-MK2-LTEA-P-T	Asia Pacific	1	B1/2100, B3/1800, B5/850, B7/2600, B8/900, B18/800 Lower, B19/800 Upper, B21/1500 Upper, B28/700 APT, B38/TD 2600, B39/TD 1900+, B40/TD 2300, B41/TD 2500	WCDMA/HSPA+/DC-HSPA+: B1/2100, B5/850, B6/800, B8/900, B9/1800, B19/800 Upper TD-SCDMA: B39/1900
LTE	MAX-BR1-MK2-LTE-US-T	Verizon/Sprint AT&T/T-Mobile	1	4G LTE: B2/1900, B4/AWS (XLTE), B5/850, B13/700, B17/700, B25/1900	WCDMA/HSPA+/DC-HSPA+: B1/2100, B2/1900, B4/AWS, B5/850, B8/900 EV-DO Rev.A: BC0/800, BC1/1900, BC10/800
	MAX-BR1-MK2-LTE-E-T	Europe/International	1	4G LTE: B1/2100, B3/1800, B7/2600, B8/900, B20/800	WCDMA/HSPA+/DC-HSPA+: B1/2100, B2/1900, B5/850, B6/800, B8/900

Feature Add-On

Feature Add-On

Product Code	Feature Pack	Description
MAX-BR1-ADV	Advanced Feature Pack	Package includes a software license key for Advanced Car-Fi Roaming; and SpeedFusion and IPsec X.509 Certificate Support
PVN-LC-05	PepVPN License Key for Velocity and BR1 family	Enables up to 5 PepVPN connections