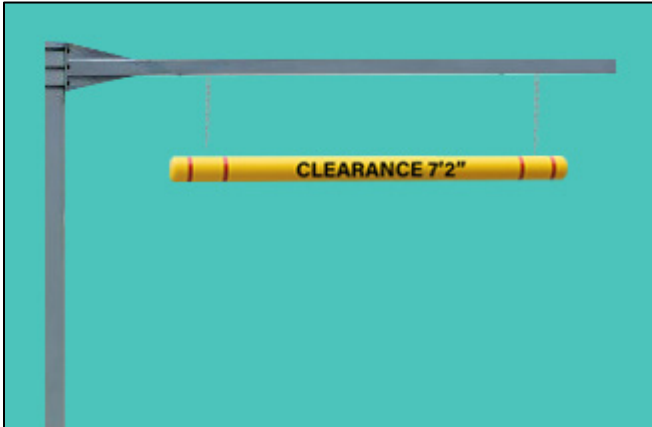
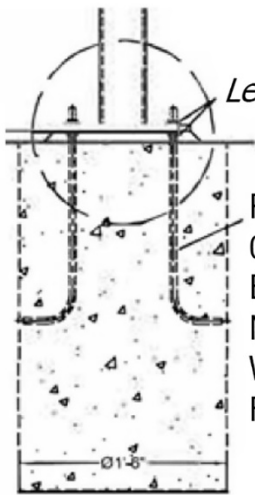
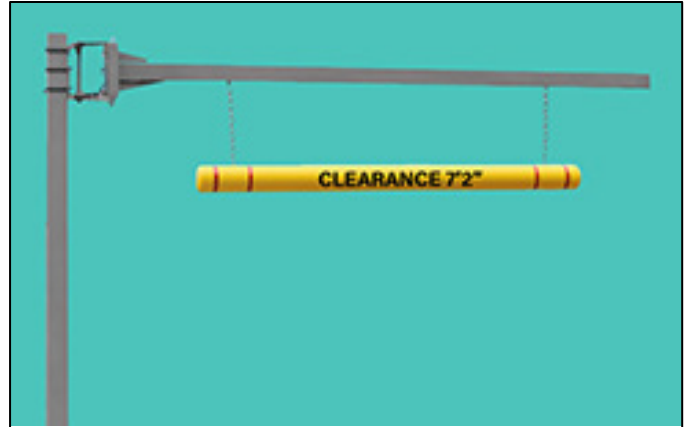


# Carbon Steel Clearance Structure Installation

Clearance Structure  
with Fixed Arm



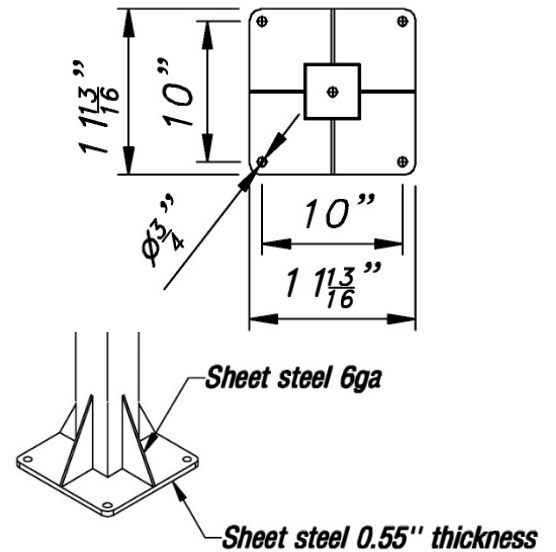
Clearance Structure  
with Retractable Arm



Leveling Bolts with Washers

Recommended:  
0.5" L18" Galvanized Steel J Anchor  
Bolts: ASTM 1554 Grade 36 Bent  
Nuts: ASTM A563 Grade A Hex  
Washers: ASTM F436 Hardened  
Finish: ASTM F2329 Hot Dip Galvanized

Mounting Plate Dimensions



**Optional:**

This anchor assembly helps with mounting the Carbon Steel Clearance Structure. J-Anchor Kit includes:  
(4) 5/8" Hex Nuts, (4) 5/8" Washers, & (4) 5/8" x 17-7/8" x 3-7/8" Galvanized Bent Anchors.



It is recommended to use Sonotube® filled with foundation grade high strength concrete with steel rods enforcement. 30" deep or 4" deeper than local frost line.



Parking Lot Safety Solutions from Simon Marketing Group

1405 White Oak Drive • Kalamazoo, MI 49008 • 248-855-6647

[parkinglotsafety.com](http://parkinglotsafety.com)



June, 2026