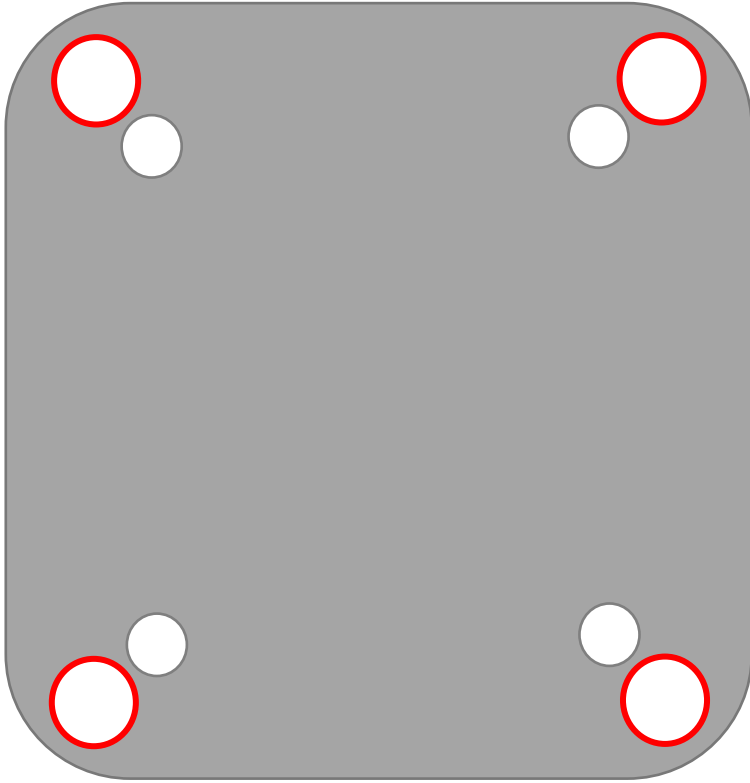


# Carbon Steel Clearance Structure

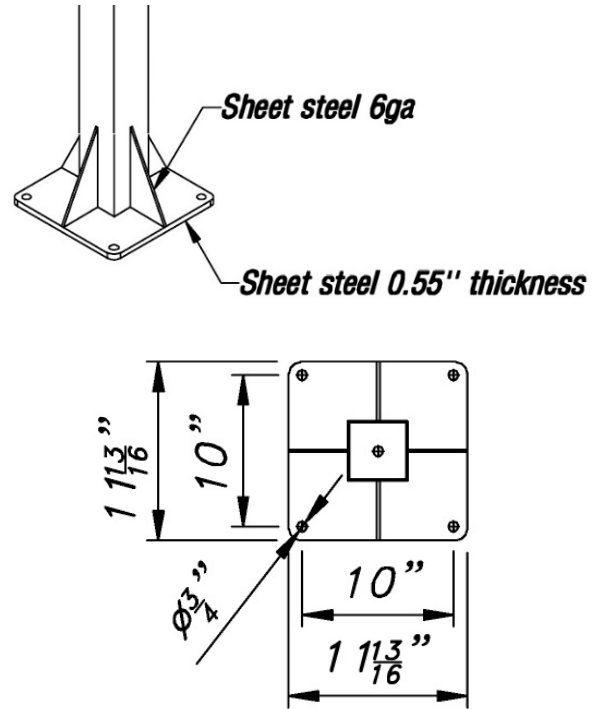
## Carbon Steel Clearance Structure Template

This tool will help ensure proper footing for your new Carbon Steel Clearance Structure.

Please note the two sets of holes in the corners of your template. Use the outer holes, outlined in red in the image below. This will ensure proper installation for your new Carbon Steel Clearance Structure.



## Mounting Plate Dimensions



### Optional J-Anchor Kit:

This anchor assembly helps with mounting the Carbon Steel Clearance Structure.

J-Anchor Kit includes:  
(4) 5/8" Hex Nuts, (4) 5/8" Washers, & (4) 5/8" x 17-7/8" x 3-7/8" Galvanized Bent Anchors along with steel template.



It is recommended to use Sonotube® filled with foundation grade high strength concrete with steel rods enforcement, 30" deep or 4" deeper than local frost line.



Parking Lot Safety Solutions from Simon Marketing Group

1405 White Oak Drive • Kalamazoo, MI 49008 • 248-855-6647

[parkinglotsafety.com](http://parkinglotsafety.com)

