



**SECTION 10 14 13
BUILDING INFORMATION SIGNAGE**

**Carbon Steel Free-Standing
Overhead Clearance Structure**

**Simon Marketing Group, LLC
dba Parking Lot Safety Solutions
1405 White Oak Drive
Kalamazoo, MI 49008
Phone: 248-855-6647
sales@parkinglotsafety.com**

Simon Marketing Group, LLC, dba Parking Lot Safety Solutions, is woman owned and operated in Kalamazoo, Michigan and certified by the WBENC. We are a National Distributor of the Carbon Steel Clearance Structure and Height Guard Clearance Bar products. And, Simon offers discounted pricing. Simon Marketing Group and Parking Lot Safety Solutions are committed to providing the most colors and sizes of overhead clearance bars. We pride ourselves on being a leader in bringing you innovative products.

Carbon Steel Free-Standing Overhead Clearance Structure with a Height Guard Clearance Bar alert drivers of the height of a facility’s vehicular drive-thru or passage way. Revise spec section number and title below to suit project requirements, specification practices and section content.

Part 1 GENERAL

1.01 SUMMARY

- A. Carbon Steel Free-Standing Overhead Clearance Structure with an (HDPE) High Density Polyethylene “Height Guard Clearance Bar” which hangs below it.**

1.02 SYSTEM DESCRIPTION

B. Carbon Steel Overhead Clearance Structure Performance Requirements

- 1. Size: Manufactured in two pieces – 11 gauge 9’10” high vertical post and 10’0” horizontal beam. Square 6 gauge 11-13/16” x 11-13/16” base.
- 2. Colors: silver, yellow, or black powder-coated enamel.

C. HDPE Height Guard Clearance Bar Performance Requirements

- 1. High molecular weight material. Designed for optimum balance of density, molecular weight and molecular distribution demonstrating maximum property advantages for large products that require high impact resistance.
- 2. Ultraviolet Protection Additive. Five (5) Year UV stabilizer package. Warranty 5 years.
- 3. Thickness Nominal. Wall thickness will be 0.1406 inch.
- 4. Anti-Static Package. Combined in manufacturing process of HDPE.
- 5. Abrasion Resistant
- 6. Environmental Stress Crack Resistant
- 7. Vinyl Clearance Kit containing the word “CLEARANCE” and height numbers.
- 8. 3M Reflective Stripes provide increased daytime and nighttime visibility.



1.03 DELIVERY, STORAGE & HANDLING

- A. Product ships from inventory. Typical ship date is 5-7 working days. Contractor shall place order in a timely fashion to ensure construction schedule is not adversely impacted.
- B. Delivery: Deliver materials in manufacturer's original, unopened, undamaged containers with identification labels intact.

Part 2 PRODUCTS

1.01 CARBON STEEL OVERHEAD CLEARANCE STRUCTURE AND HEIGHT GUARD OVERHEAD CLEARANCE BAR

A. National Distributor: Simon Marketing Group, LLC

1. Contact: Carol Berg, 1405 White Oak Drive, Kalamazoo, MI 49008 248-855-6647

Email: carol@simonmarketinggroup.net

Website: www.parkinglotsafety.com

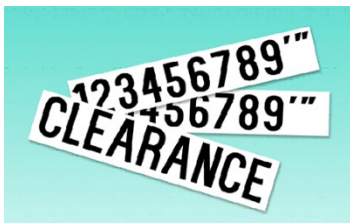
2.01 MATERIALS – HEIGHT GUARD CLEARANCE BAR

Specifier note: Specify Height and Height Guard length. Custom lengths and colors are available. Contractor is responsible for giving accurate dimensions to Simon Marketing Group at the time of ordering.

- A. HDPE Polyethylene
 - 1. Size: 5.0" Diameter x 80", 96" or 120" Long*
 - 2. Size: 7.0" Diameter x 80", 96", 110", 120" or 144" Long*
- *Custom lengths available.
- B. Self-Adhesive Vinyl Graphics Kit (Optional Graphics Available)
 - 1. "Clearance"
 - 2. Numbers for height
- C. Reflective Stripes
 - 1. Four (4) 3M Reflective stripes on each Height Guard



Graphic Kits



Standard Graphics



Optional Graphics

PART 3 EXECUTION

1.01 Installation

Carbon Steel Free-Standing Clearance Structure

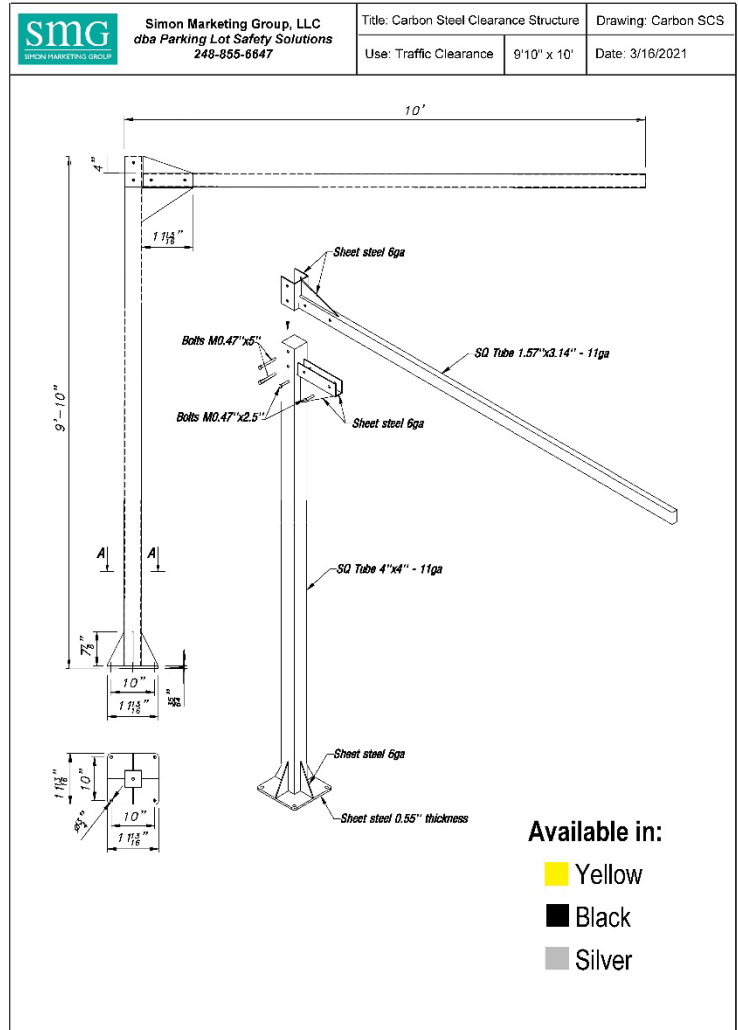
- A. It is recommended to use the optional J-Anchor Kit for mounting the clearance structure.
 1. (4) 5/8" Hex Nuts, (4) 5/8" Washers, & (4) 5/8" x 17-7/8" x 3-7/8" Galvanized Bent Anchors.
 2. Steel template for installation.
- B. It is also recommended to use Sonotubes® filled with foundation grade high strength concrete with steel rods enforcement, 30" deep or 4" deeper than local frost line to stabilize the galvanized bent anchors.



J-Anchor Kit



Sonotube



Installation Diagram
[Click Here to Download](#)

Height Guard Clearance Bar

- A. Measure Height Opening and attach numbers to Height Guard Clearance Bar.
- B. Attach eye hook to each end of the Height Guard Clearance Bar.
- C. Attach chain to eye hook. Affix to top of vehicle drive thru opening.