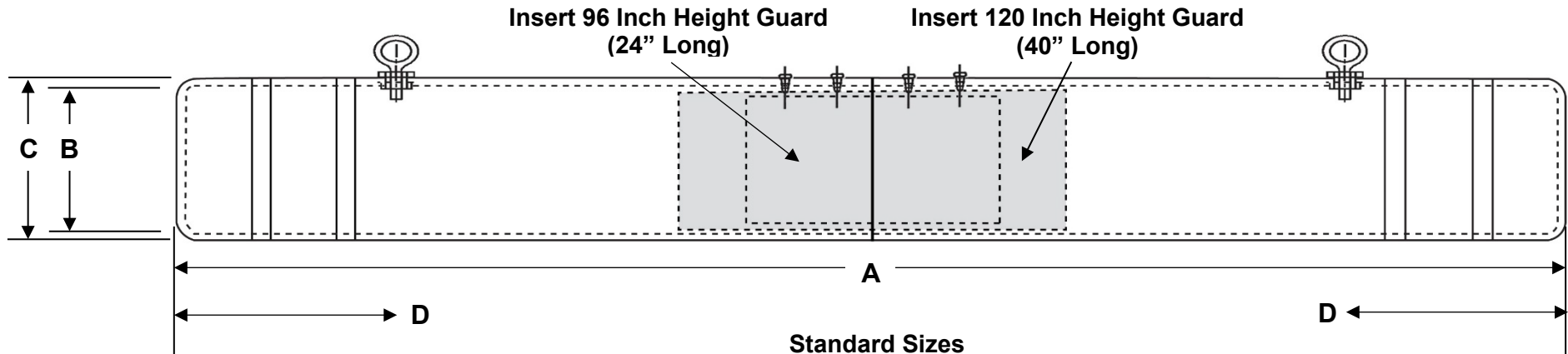




96 TO 120 INCH HEIGHT GUARD CLEARANCE BAR



Standard Sizes

5.0" Diameter x 96 inches Long 7.0" Diameter x 96 inches Long
 5.0" Diameter x 120 inches Long 7.0" Diameter x 120 inches Long
 Custom sizes available up to 144 inches

A = Overall Length	B = Actual Inside Diameter	C = Actual Outside Diameter	D = Approx. Distance from End to Eye Hook
5.0" Diameter – 96 inches	5.0" Diameter – 4.72 inches	5.0" Diameter – 5.00 inches	5.0" Diameter – 16 inches
5.0" Diameter – 120 inches	7.0" Diameter – 7.10 inches	7.0" Diameter – 7.34 inches	7.0" Diameter – 16 Inches
7.0" Diameter – 96 inches			
7.0" Diameter – 120 inches			

HEIGHT GUARD ASSEMBLY INSTRUCTIONS:

When your clearance bar arrives, an insert is already attached to one side of the clearance bar.

1. Join both sections and line up pre-drilled holes.
2. Install enclosed zip screws into pre-drilled holes.
3. Install enclosed eye hooks into threaded rivets for attachment to your entrance.
4. Install Custom Graphics Kit to indicate desired height – "CLEARANCE".

Eye Bolt Specifications:

- Material: Steel, Zinc Finish Eye Inside Dia: 1/2 In.
- Thread Length: 1-1/2 In.
- Wire Dia: 1/4 In.
- Length: 2-1/2 In. Width: 1 In.

Clearance Kit Specifications:

3" tall Lettering horizontal print
 Includes the word, "Clearance" and 2 sets of numbers:
 0, 1*, 2, 3, 4, 5, 6, 7, 8, 9 and the symbol for feet and inch (* Kit contains four number 1.)

Please call your SMG Sales Team at
 248-855-6647 or send email to
sales@parkinglotsafety.com

Simon Marketing Group, LLC
 dba Parking Lot Safety Solutions
 1405 White Oak Drive • Kalamazoo, MI 49008
www.parkinglotsafety.com