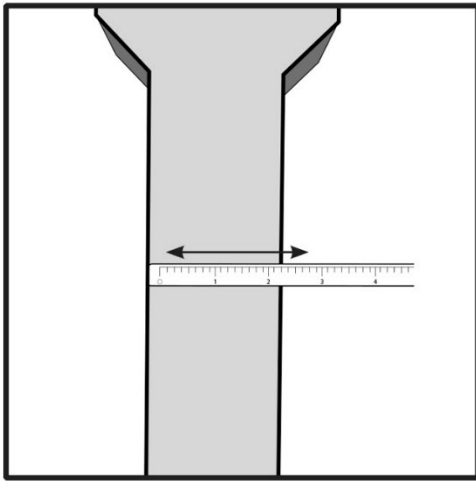
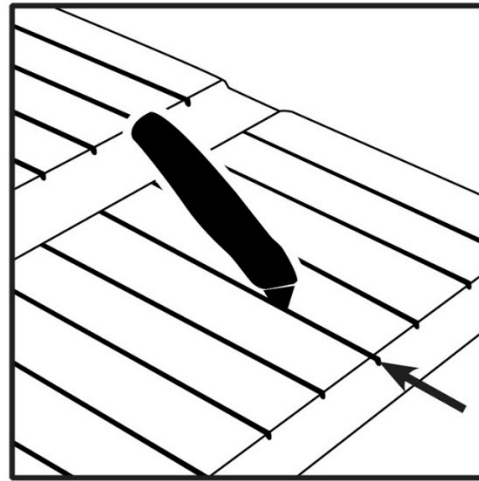


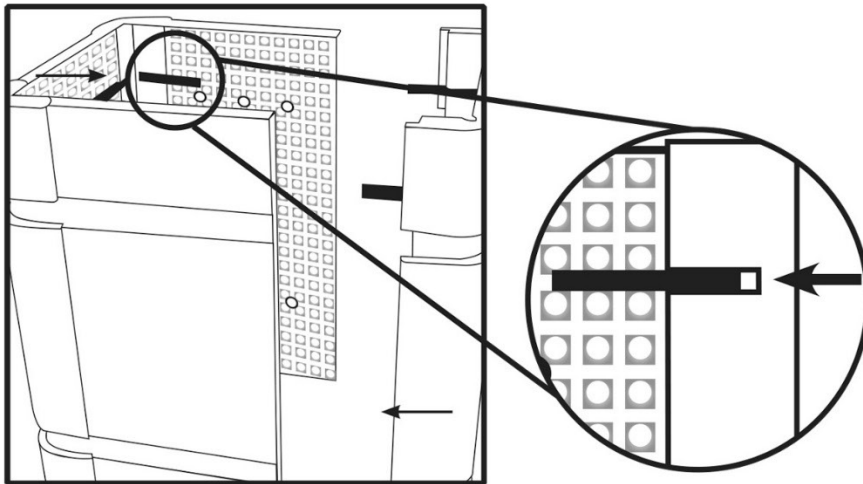
Park Sentry Installation Instructions



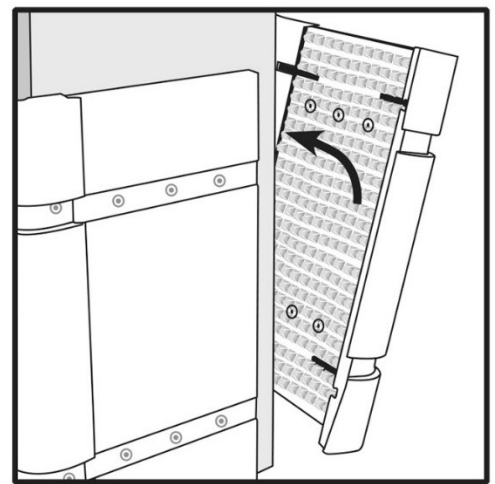
1 Measure the column



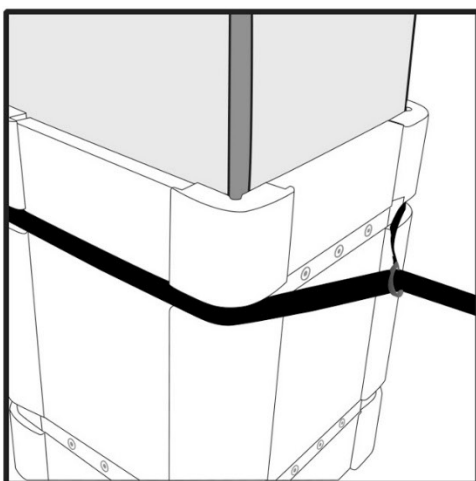
2 Cut the planks to fit



3 Position first three planks and two corners using keylock system to stabilize



4 Position the fourth side



5 Place straps into grooves and secure



Finished Product