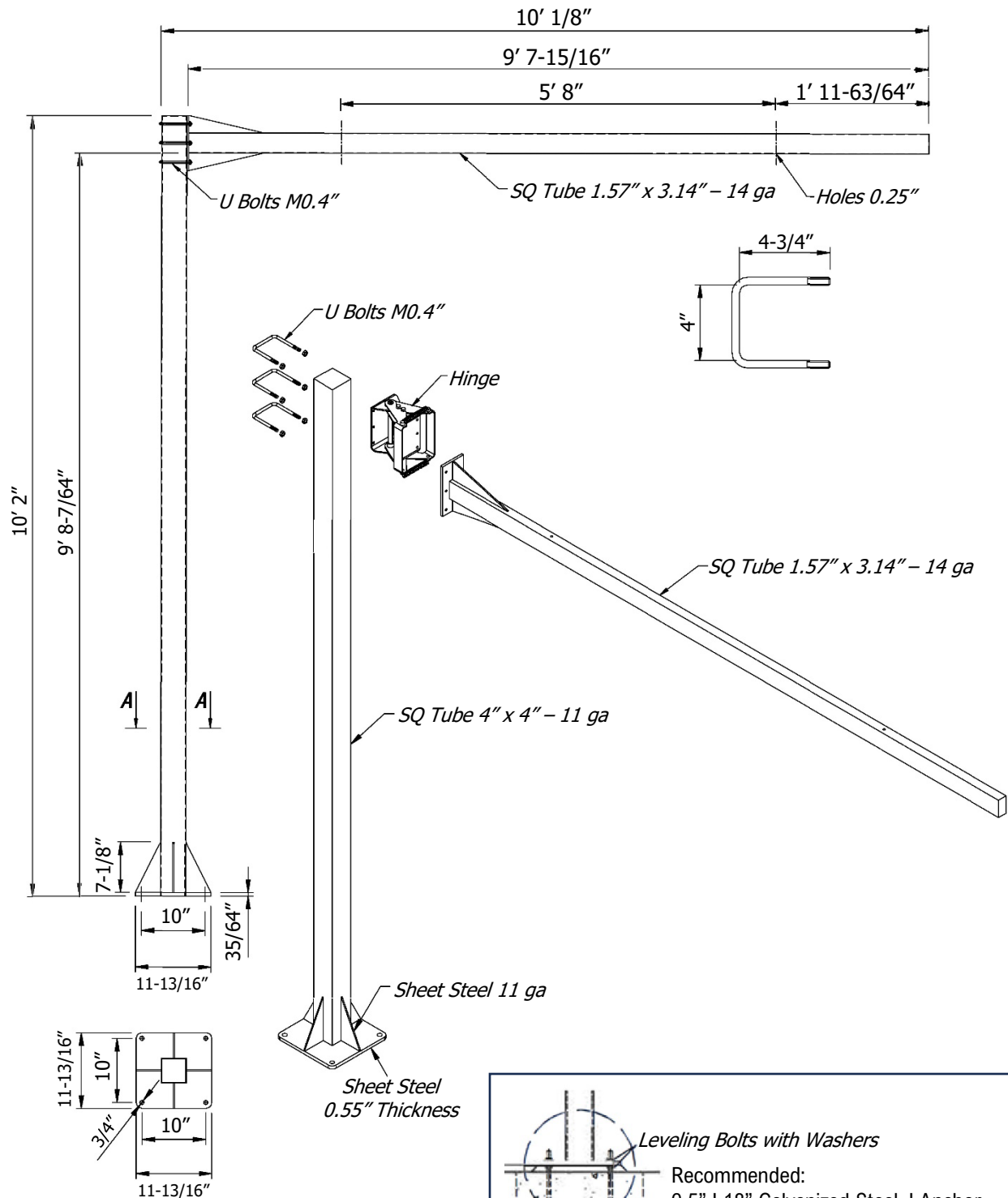


CLEARANCE STRUCTURE



Available in:

- Yellow
- Black
- Silver

Leveling Bolts with Washers

Recommended:
 0.5" L18" Galvanized Steel J Anchor
 Bolts: ASTM 1554 Grade 36 Bent
 Nuts: ASTM A563 Grade A Hex
 Washers: ASTM F436 Hardened
 Finish: ASTM F2329 Hot Dip Galvanized

Please use Sonotube filled with foundation grade high strength concrete with steel rods enforcement, 30" deep or 4" deeper than local frost line.