



**SECTION 05 50 00**  
Metal Fabrications  
**SECTION 34 71 13**  
Vehicle Barriers

---

**Carbon Steel Free-Standing  
Overhead Clearance Structure**

**Simon Marketing Group, LLC**  
**dba Parking Lot Safety Solutions**  
**1405 White Oak Drive**  
**Kalamazoo, MI 49008**  
**Phone: 248-855-6647**  
[carol@simonmarketinggroup.net](mailto:carol@simonmarketinggroup.net)

Simon Marketing Group, LLC, dba Parking Lot Safety Solutions, is 100% woman owned and operated in Kalamazoo, Michigan and certified by the SBA. We are a National Distributor of the Clearance Structure and the Height Guard product and offer discounted pricing. Simon Marketing Group and Parking Lot Safety Solutions are committed to providing the most colors and sizes of overhead clearance bars. We pride ourselves on being a leader in bringing you innovative products.

Carbon Steel Free-Standing Overhead Clearance Structure with a Height Guard Clearance Bar alert drivers of the height of a facility's vehicular drive-thru or passage way. Revise spec section number and title below to suit project requirements, specification practices and section content.

**Part 1 GENERAL**

**1.01 SUMMARY**

- A. Carbon Steel Free-Standing Overhead Clearance Structure, available with a fixed arm or optional hinge retractable arm, and a (HDPE) High density plastic Polyethylene "Height Guard Clearance Bar" which hangs below it.
- B. The Clearance Structure is designed for efficient containment and protection of outdoor structures and open spaces.
- C. Designed for high-traffic areas requiring secure, accessible entry points.
- D. Applications include commercial, industrial and residential projects.

**1.02 MATERIALS**

- 1. Size: Manufactured in two pieces – Hot rolled Carbon Steel 10'2" high vertical post and 9'7-15/16" horizontal beam.
- 2. Sheet Steel Gussets Welded to 11-13/16" x 11-13/16" plate with (4) 3/4" holes.
- 3. Finish: Powder coat, minimum thickness of 2.5 mils in silver, yellow, or black.
- 4. Hinge Mechanism
  - a. Type: Heavy Duty carbon steel hinges designed for high-cycle applications.
  - b. Configuration: Continuous or pivot hinge.
- 5. **HDPE Height Guard Clearance Bar**
  - a. High molecular weight HDPE Polyethylene. Designed for optimum balance of density, molecular weight and molecular distribution demonstrating maximum property advantages for large products that require high impact resistance. **Specifier note:** Specify size and Height Guard length. Custom lengths and colors are available. Contractor is responsible for giving accurate dimensions to Simon Marketing Group at the time of ordering.
  - b. Size: 5.0" Diameter x 80", 96" or 120" Long\*
  - c. Size: 7.0" Diameter x 80", 96", 110", 120" or 144" Long\*  
\*Custom lengths available.
  - d. Chains hanging: Bright Galvanized Double Loop Chain #1x36 (2 units includes (4) 3/16" Zinc plated snap hooks.
  - e. Self-Adhesive Vinyl Graphics Kit (Optional Graphics Available) "Clearance", two sets of Numbers for height description.
  - f. Reflective Stripes: Four (4) 3M Reflective stripes on each Height Guard.

### 1.03 DELIVERY, STORAGE & HANDLING

- A. Product ships from Inventory. Typical ship date is 5-7 working days. Contractor shall place order in a timely fashion to ensure construction schedule is not adversely impacted.
- B. Delivery: Materials are delivered in original, unopened, undamaged containers with identification labels intact.

### Part 2 PRODUCTS

#### 1.01 CARBON STEEL OVERHEAD CLEARANCE STRUCTURE WITH FIXED ARM (AND OPTIONAL HINGE RETRACTABLE ARM), AND HEIGHT GUARD OVERHEAD CLEARANCE BAR

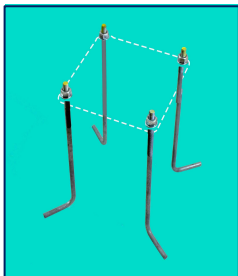
##### A. National Distributor: Simon Marketing Group, LLC

- 1. Contact: Carol Berg, 1405 White Oak Drive, Kalamazoo, MI 49008 248-855-6647  
 Email: [carol@simonmarketinggroup.net](mailto:carol@simonmarketinggroup.net)  
 Website: [www.parkinglotsafety.com](http://www.parkinglotsafety.com)

### PART 3 EXECUTION

#### 1.01 Installation - Carbon Steel Free-Standing Clearance Structure

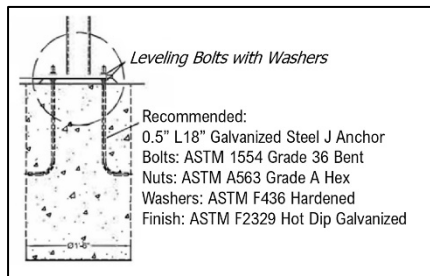
- A. It is recommended to use the optional J-Anchor Kit for mounting the clearance structure.
  - 1. (4) 5/8" Hex Nuts, (4) 5/8" Washers, & (4) 5/8" x 17-7/8" x 3-7/8" Galvanized Bent Anchors.
- B. It is also recommended to use Sonotubes® filled with foundation grade high strength concrete with steel rods enforcement, 30" deep or 4" deeper than local frost line to stabilize the galvanized bent anchors.
- C. Installation – Height Guard Clearance Bar
  - 1. Measure Height Opening and attach letters and numbers to Height Guard Clearance Bar.
  - 2. Attach eye hook to each end of the Height Guard Clearance Bar.
  - 3. Attach chain to eye hook. Affix to top of vehicle drive thru opening.



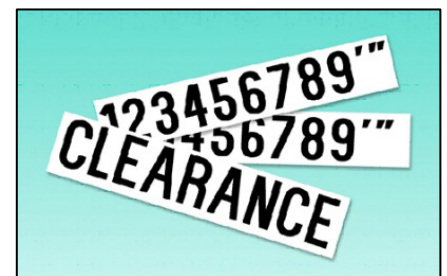
J-Anchor Kit



Sonotube



J-Anchor Kit Installation



Vinyl Graphics Kit



Height Guard Standard Colors and Graphics

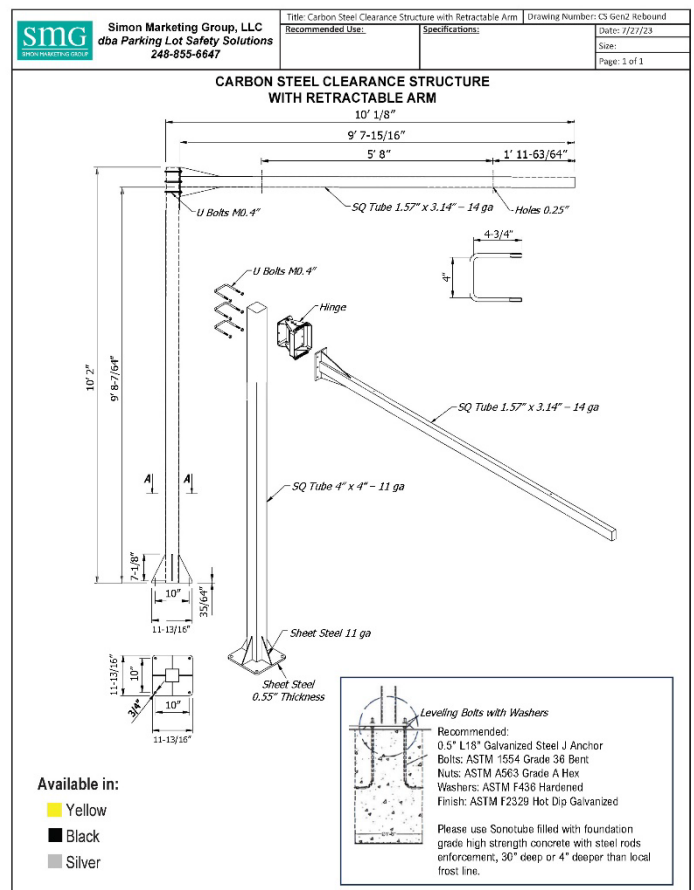
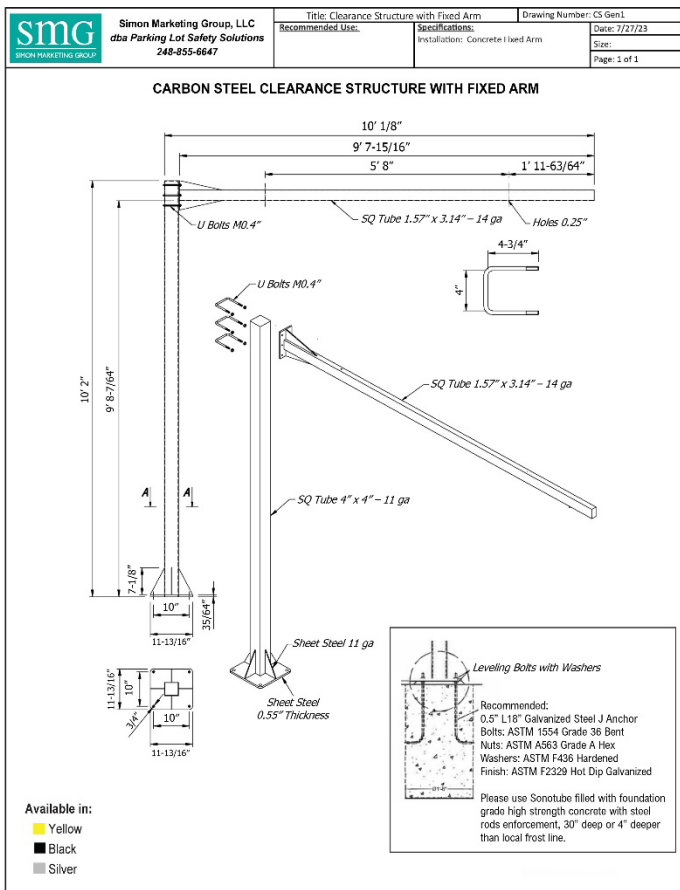


Optional Graphics

# Carbon Steel Clearance Structure Finishes Silver, Yellow, Black



## Installation Diagrams



[Click Here to Download Fixed Arm Structure Diagram](#)

[Click Here to Download Retractable Arm Structure Diagram](#)



**Parking Lot Safety Solutions from Simon Marketing Group**  
 1405 White Oak Drive • Kalamazoo, MI 49008 • 248-855-6647  
[parkinglotsafety.com](http://parkinglotsafety.com)

