

## Value

Specifications Guide / Valid thru February 2022

**Please Note:** Items are subject to change without prior notice. This spec book is missing some updated information, so to stay up to date with product specifications and modification options please use our new digital spec book which can be found at <https://ezpricing.fabuwood.com/specbook>

## Construction Specifications

### **Doors and Drawer Fronts:**

Doors and drawer fronts are made of solid wood rails with a MDF center panel to reduce the possibility of shrinkage.

The 5 piece Hallmark modified full overlay door has a 1/2" thick MDF center panel captured in a 3/4" x 2 1/4" mortise and tenon solid wood frame and is complimented with a 5 piece recessed panel drawer front. The overlay on top of all wall cabinets has been modified to accept a crown moulding.

### **Hinges:**

Compact Blumotion soft close hinges (Blum model #39C355B.20).

### **Drawers:**

5/8" thick solid wood dovetail drawer box with a 3/8" plywood bottom attached to Tandem plus Blumotion concealed drawer runners (Blum model #563H)

### **Shelving:**

15mm (5/8") thick select veneered wood with matching wood edge-banding is used on all wall and base cabinetry where applicable. The adjustable shelves are supported by plastic self locking shelf clip.

### **Backs, Tops and Bottoms:**

1/2" thick veneered plywood with natural finished interiors. The backs are stapled and screwed into place for additional support.

### **Face Frame:**

3/4" x 1 1/2" solid wood stiles and rails jointed with glue and dowels. Back of face frames are grooved to accept side panels. The Hallmark face frame is engineered so that the bottom of all base and wall cabinets are flushed with the top inside edge of the face frame creating a custom look.

### **Toe Kick:**

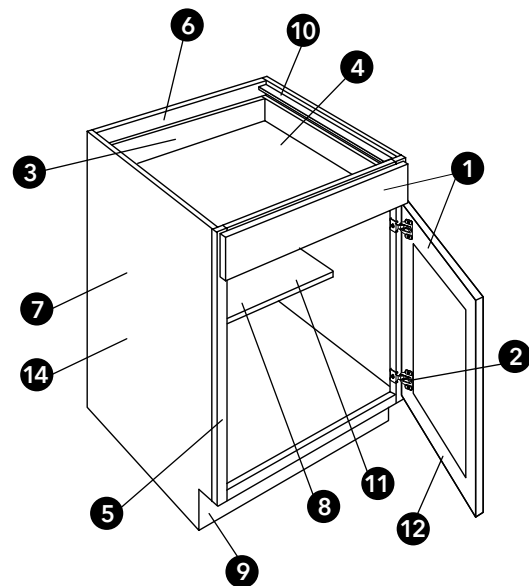
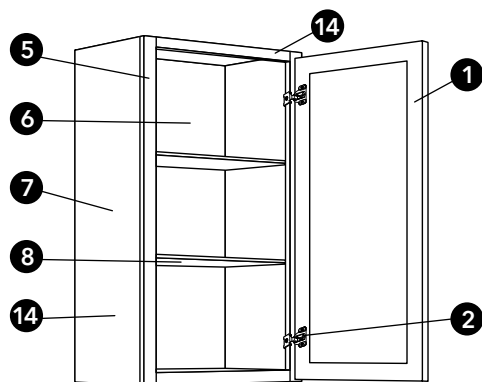
3/4" x 4 1/2" select unfinished plywood toe kick is added to each assembled cabinet. Additional 1/4" 8-foot lengths of toe kicks are available in matching colors to our cabinetry.

### **Panel Beams:**

A panel beam is fastened into a dovetail groove at the top of each base cabinet to ensure a straight fully integrated side, and for use of support and mounting of a countertop.

## Construction Specifications

- 1 Solid wood door and drawer front stiles and rails are constructed with mortise and tenon joints.
- 2 Compact Blumotion soft-close mechanism integrated in concealed six-way adjustable hinges. Hinges open at 110°
- 3 5/8" solid wood dovetail drawer with a 3/8" plywood bottom features Tandem plus Blumotion full-extension concealed drawer runners
- 4 2 1/2" interior drawer height.
- 5 3/4" x 1 1/2" solid wood face frame.
- 6 1/2" select veneered plywood back with a natural finished interior.
- 7 1/2" select unfinished plywood side panels grooved into face frame.
- 8 15mm (5/8") select veneered plywood adjustable shelving with matching wood veneer edge banding.
- 9 3/4" x 4 1/2" unfinished plywood toe kick attached to cabinet. Matching 1/4" toe kick cover to be ordered separately.
- 10 2 1/2" x 1/2" plywood panel beams dovetailed into the side panels for strength and stability.
- 11 Base cabinet has 11 7/8" deep shelf.
- 12 Base has a full overlay door.
- 13 When placing an order, need to select exposed sides; Right, Left or Both.  
A 1/4" select medium-density fiberboard panel will be applied to the selected side(s), and the side will be near flush finished.
- 14 Wall cabinet has a modified overlay door. Crown can be mounted on the face frame.



Featuring  
**blum**

## 5 Year Limited Warranty

### COVERAGE OF WARRANTY

Fabuwood Cabinetry Corp ("Fabuwood") is pleased to provide the following limited warranty on all cabinets imported to and assembled and sold in the United States by Fabuwood. This warranty does not cover cabinets sold or shipped outside of the United States. This limited warranty is subject to all limitations, exclusions, disclaimers and procedures set forth herein. Fabuwood warrants to the original purchasing consumer that all cabinets purchased from Fabuwood will be free from all unnatural defects in material and workmanship in accordance with the Fabuwood quality standards sheet under normal residential use for 5 years from the date of the original purchase or as long as the original purchasing consumer owns the home in which such cabinets are installed, whichever is less. This warranty is non transferable to subsequent owners of the home.

### EXCLUSIONS

THIS WARRANTY SUPERSEDES ANY AND ALL PREVIOUS WARRANTIES BY FABUWOOD AND CONSTITUTES THE EXCLUSIVE REMEDY AGAINST FABUWOOD FOR ALL DEFECTS, DAMAGES AND WORKMANSHIP. THERE ARE NO IMPLIED WARRANTIES EXTENDING BEYOND THE TERMS OF THIS WARRANTY. FABUWOOD SHALL NOT BE LIABLE FOR ANY INDIRECT, SPECIAL, PUNITIVE, INCIDENTAL OR CONSEQUENTIAL COSTS, EXPENSES OR DAMAGES. THIS WARRANTY GIVES YOU SPECIFIC LEGAL RIGHTS, AND YOU MAY ALSO HAVE OTHER RIGHTS, WHICH VARY FROM STATE TO STATE. IT IS POSSIBLE THAT ONE OR MORE OF THE LIMITATIONS AND EXCLUSIONS IN THIS WARRANTY MAY NOT APPLY TO YOU. THIS WARRANTY APPLIES ONLY TO FABUWOOD PRODUCTS PURCHASED ON OR AFTER MARCH 15, 2014

### LIMITATIONS

This warranty shall become void if the cabinets, cabinetwork, drawer slides or hinges are modified from its original form, improperly installed or damaged prior to or during the installation, or used in any way other than for residential purposes. This warranty covers only parts and materials of the cabinets as supplied by Fabuwood. This warranty does not cover any products used or installed in connection with cabinets, such as gas or electric appliances, countertops, or plumbing fixtures. This warranty does not apply to products installed in locations that do not maintain year-round environmental controls. This warranty shall not apply to damages caused by transportation, storage, dirt, chemicals, exposure to moisture, humidity or excessive heat or cold, nor does it cover defects arising from normal wear and tear, misuse, neglect, accidents, alterations, improper use or failure to maintain properly, house settling, or acts of God. No installer, retailer, distributor, agent or employee of Fabuwood has the authority to alter the obligations or limitations in this warranty.

### QUALITY STANDARDS

This warranty covers all damages and unnatural defects that are deemed as such under the current Fabuwood Quality Standards sheet. The current Fabuwood Quality Standards sheet is available for download in the dealer login section of the Fabuwood website ([www.fabuwood.com](http://www.fabuwood.com)), which should be reviewed at each time a claim for warranty service is being considered. Fabuwood reserves the right to modify or change the Fabuwood Quality Standards sheet at any time without notice.

### DISCLAIMERS

The following is a brief recap of some of the characteristics of the wood and finishes on the cabinets you are about to purchase. Please read them carefully. If some of these characteristics concern you, please choose something else. We bring these characteristics to your attention so you will realize that Fabuwood will not be held responsible for these variations in your cabinetry. It is important

to note that wood products claimed as defective are most often the result of atmospheric conditions such as excess moisture and humidity. Fabuwood strongly recommends testing the intended location of the products for such conditions prior to installation.

**WOOD AND COLOR VARIATIONS:** Wood is a product of nature, and since no two trees are alike, cabinets may vary in color, texture and grain. Wood characteristics naturally occurring such as variations in color, grain, mineral streaks, pinholes and knots are not considered defects. Color variations in cabinets are also a natural occurrence due to species, age, character of cabinets, and exposure to UV light and sunlight. For these reasons, new and/or replacement cabinets may not match display samples and/or existing cabinets. This may result in overall color variations, but is not considered a defect.

**WOOD DOORS:** Wood by nature will undergo expansion and contraction movements year after year as it compensates and adjusts to ever changing atmospheric humidity and temperature conditions. It is very common for center panels on doors to shrink, expand or move during these transitions. Typically, the panel will return to its normal position within a year once it has adjusted to seasonal changes. It is for these same reasons that it is very common for doors to warp during these periods. Doors that are warped up to 1/4" are not considered defective. Note: It is advisable to check if the door was properly installed, since doors that appear warped are very often the result of improper installation.

**PAINTED FINISHES:** Plywood is a non-porous, smooth grained wood. Additionally, wood by nature undergoes periods of expansion and contraction while it adjusts to atmospheric conditions mentioned above. As such, finish stress lines may become visible on painted cabinets especially at the joints. Any such occurrence is not considered a defect.

**GLAZED FINISHES:** A glazed finish by character is an uneven finish. Some edges and profiles will have heavier hang up than others and glazing may vary cabinet to cabinet, door to drawer and item to item. This may result in overall color variations but is not considered a defect.

### WARRANTY PERFORMANCE

If a defect does occur within the terms and conditions of this warranty such defective part will be repaired or replaced by Fabuwood at its sole discretion. Fabuwood will not provide or pay for the cost of removal of defective product, transportation of defective, repaired or replaced product or installation of repaired or replaced product. Fabuwood will not be responsible for any shipping damages to the defective, replaced or repaired product. If defective item has been discontinued or is not available at the time, Fabuwood reserves the right to replace the item with the most similar item available in Fabuwood's inventory at that time. Fabuwood cannot guarantee that the finish of any replacement will exactly match the finish and appearance of the defective item due to the natural ageing process of the wood and finishes of the cabinets. Fabuwood may require at its discretion that the customer submit a clear photo, or that a company representative view the item being claimed before honoring this warranty.

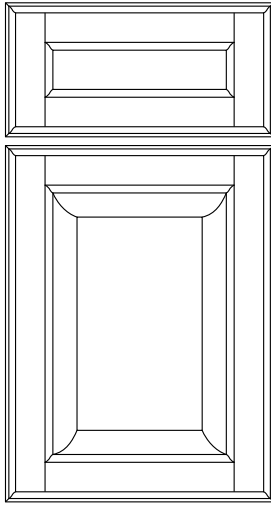
### CLAIMS

To submit a claim covered under this warranty, the original proof of purchase and full payment or copies thereof must be provided. Please email all documents to [customerservice@fabuwood.com](mailto:customerservice@fabuwood.com). Your dealer will contact you once your claim has been reviewed.

### NOTE

Please do not send back any items to Fabuwood prior to receiving proper authorization from customer service. Fabuwood takes no responsibility on any items sent back to Fabuwood without proper return authorization.

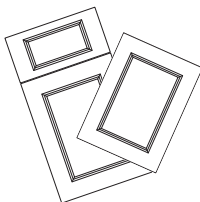
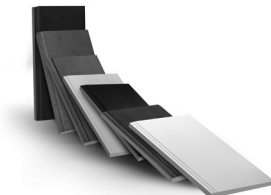
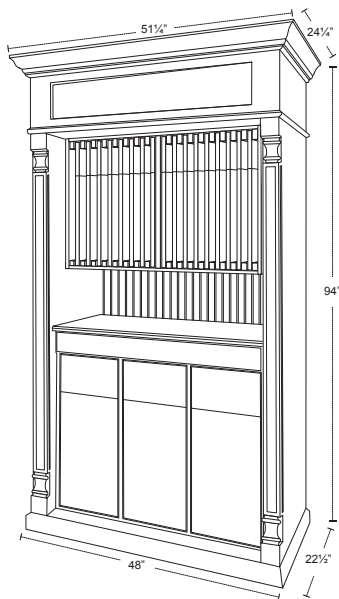
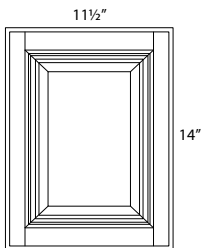
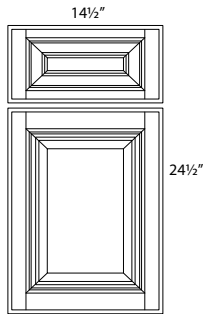
## Door Style


**HALLMARK**

COLOR	FINISH	PRICE COLUMN
Frost	Paint	N

- Full overlay door with modified overlay on wall cabinets.
- Stiles and rails are solid wood  $\frac{3}{4}$ " thick and  $2\frac{1}{4}$ " wide.
- Constructed with mortise and tenon joints.
- $\frac{1}{2}$ " thick MDF raised center panel.
- 5-piece recessed panel drawer front matches door design.
- Compact Blumotion Soft Close Hinges (Blum Model #39C.355B.20)
- Tandem Plus Blumotion Concealed Drawer Runners (Blum Model #563H)

## Sales Tools


**DOOR SAMPLES WITH DRAWER FRONT**

ITEM	DESCRIPTION	NET PRICE
SDHF	HALLMARK FROST	27

**SMALL DOOR SAMPLES**

ITEM	DESCRIPTION	NET PRICE
SDHF-2	HALLMARK FROST	21

**SELLING CENTER**

ITEM	DESCRIPTION	NET PRICE
DEALER SELLING CENTER	FABUWOOD SELLING CENTER	1575

**COLOR BLOCKS**

ITEM	DESCRIPTION	NET PRICE
COLOR BLOCK	BOX OF COLOR BLOCKS	32

**SAMPLE PACKAGES**

ITEM	DESCRIPTION	NET PRICE
SMALL SAMPLE PACKAGE	SMALL SAMPLE PACKAGE	525
DEALER PACKAGE	LITERATURE AND ACCESSORIES	735

## Modifications

### CUT ITEMS

ITEM	DESCRIPTION	LIST
CUT-BASE	Reduce depth of base cabinet (min. depth 12")	340
CUT-DBASE	Reduce depth of drawer base cabinet (min. depth 12")	470
CUT-SBASE	Reduce depth of sink base cabinet (no min.)	225
CUT-WALL	Reduce depth of wall cabinet (no min.)	285
CUT-TALL	Reduce depth of tall cabinet (no min.)	655
CUT-DOOR	Cut out center panel of door for glass insert (per door, glass not included)	190
CUT-COLUMN	Reduce depth of column (specify depth)	245
CUT-BASE HEIGHT	Reduce height of base cabinet by cutting off top drawer (total base height: 28½")	285
CUT-TK	Reduce toe kick height (no min.)	110
CUT-PANEL	Cut down a panel to any size	76/Pc.
CUT-ROD	Reduce depth of rollout drawer (specify depth of cabinet)	115

### PIPE CHASE

ITEM	DESCRIPTION	LIST
CHASE-BASE	Make chase in base cabinet	560
CHASE-DBASE	Make chase in drawer base cabinet	810
CHASE-WALL	Make chase in wall cabinet	300
CHASE-TALL	Make chase in tall cabinet	840
CHASE-CORNER	Make chase in corner cabinet (WDC, WPC & ERB only)	1115

*Must supply a drawing for all chase modifications.*

### CUSTOMIZATIONS

ITEM	DESCRIPTION	LIST
CREATE-ERB	Remove tray, install bottom panel on top, to create easy reach	170
CREATE-RETURN WALL*	Create a return wall filler up to 6"W x 15"D x 42"H (materials incl.)	435
CREATE-RETURN TALL*	Create a return tall filler up to 6"W x 30"D x 96"H (materials incl.)	800
CREATE-COLUMN BASE*	Create a 3" column up to 30"D by 34½"H	745
CREATE-COLUMN TALL*	Create an oversized column	1345
CREATE-COLUMN WALL*	Create a 3" column up to 15"D x 42"H	560
HAMPER	Install door mounted pull out wood hamper in cabinet (cabinet not incl.)	655
CUSTOM DOOR	Order any custom size door	Quote*

\* Email orders@fabuwood.com for quote

### MODIFICATIONS

ITEM	DESCRIPTION	LIST
REMOVE-DRAWER	Remove cabinet drawer to create false drawer front	58
CLOSE-BLIND	Close open section of a blind wall or base cabinet	95
ATTACH-TK	Attach toe kick on wall cabinet	110
RECESS-TK	Recess toe kick of base cabinet (must supply a drawing)	190

## Modifications

### MODIFICATIONS CONT.

ITEM	DESCRIPTION	LIST
EDGE-BAND	Additional edge banding (price per linear foot)	9
PEN-CABINET	Create a peninsula cabinet from 2 cabinets (cabinets not incl.)	380
INCREASE-BASE	Increase depth on base cabinet	Quote*
INCREASE-WALL	Increase depth on wall cabinet	Quote*
INCREASE-TALL	Increase depth on tall cabinet	Quote*
MATCH-INTERIOR	Stain interior of cabinet to match exterior	Quote*
CREATE- SQ BOTTOM	Square bottom shelf for wall open end to enable light rail molding	95
FLUSH-BASE	Flush the side of a base cabinet (per side)	295
FLUSH-WALL BOTTOM	Flush the bottom of a wall cabinet	285
FLUSH-TOE KICK	Flush toe kick of base cabinet to face frame (sides not finished)	160
FULL-DOORS	Create full height door base cabinet from 2 cabinets (cabinets not incl.)	115
FINISHED END-BASE	Skin finished end for base cabinet	76
FINISHED END-TALL	Skin finished end for tall cabinet	200
FINISHED END-WALL	Skin finished end for wall cabinet	61
OE6	Cut OE12 to 6"	0

\* Email orders@fabuwood.com for quote

### UPGRADES

ITEM	DESCRIPTION	LIST
INSTALL-ACCES	Install any accessory in a cabinet (accessories not incl.)	Quote*
GLAZE	Custom glazes available for a charge	20%
CUSTOM COLOR PAINT	Refinish to custom color paint	Quote*

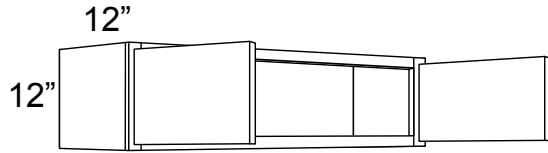
\* Email orders@fabuwood.com for quote

### LOOSE PARTS

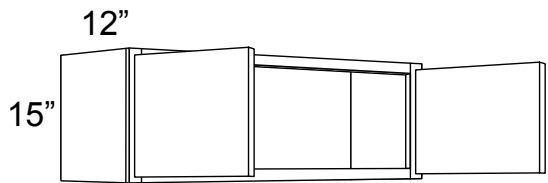
ITEM	DESCRIPTION	LIST
SHELF BASE	Loose 24" deep shelf (specify cabinet size)	155
SHELF WALL	Loose 12" deep shelf (specify cabinet size)	81
SHELF TALL	Loose 24" deep shelf (specify cabinet size)	155
SHELF-DSB	Loose shelf (specify cabinet size)	290
SK BASE	Skin for base cabinet with adhesion	76
SK MC	Skin for microwave wall cabinet with adhesion	61
SK TALL	Skin for tall cabinet with adhesion	200
SK W30	Skin for 30" high wall cabinet with adhesion	61
SK W36	Skin for 36" high wall cabinet with adhesion	61
SK W42	Skin for 42" high wall cabinet with adhesion	61

*Many more modifications available- please contact your customer service rep.*

## 12"-18" High Wall Cabinets

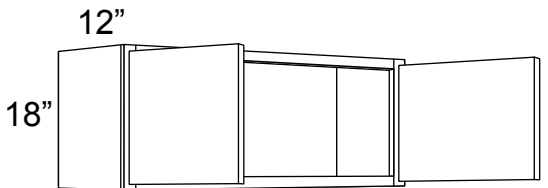

**12" HIGH**

ITEM	N
W3012	275
W3612	300


**15" HIGH**

ITEM	N
W2115*	245
W2415	260
W3015	265
W3315	300
W3615	315

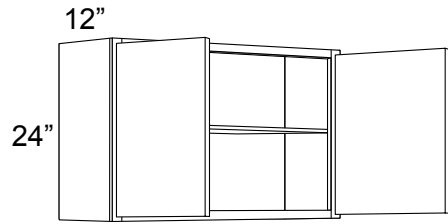
\* One door only


**18" HIGH**

ITEM	N
W2118*	280
W2418	290
W3018	290
W3318	330
W3618	340

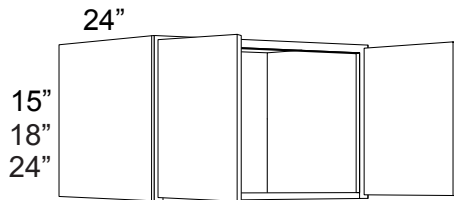
\* One door only

## 15" - 24" High & 24" Deep Wall Cabinets



### 24" HIGH

ITEM	N
W2424	325
W3024	355
W3324	385
W3624	420

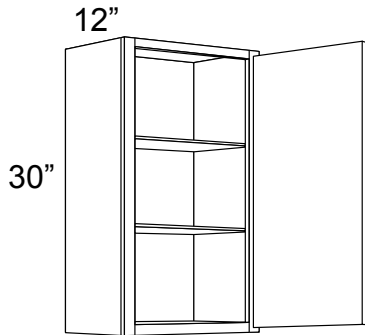


### 24" DEEP

ITEM	N
W301524	350
W331524	575
W361524	455
W301824	415
W331824	670
W361824	500
W302424*	450
W332424*	615
W362424*	525

\* Has 1 shelf

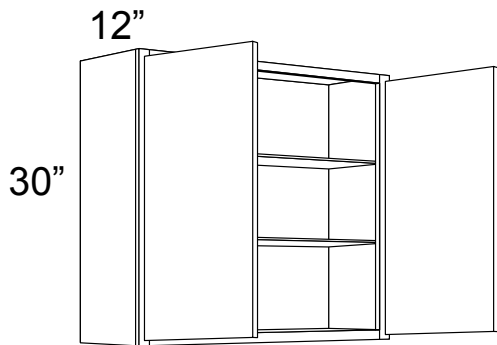
## 30" High Wall Cabinets



### 30" HIGH

ITEM	N
W0930	215
W1230	225
W1530	260
W1830	290
W2130	325

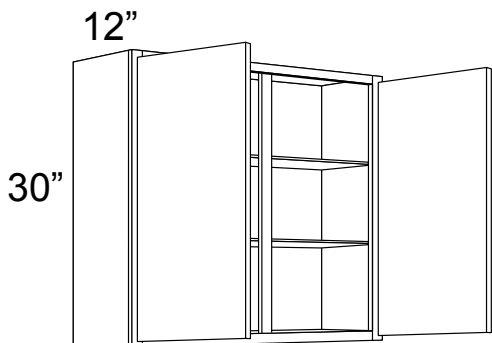
- Peninsula cabinet modification pg. VIII



### 30" HIGH

ITEM	N
W2430	345
W2730	395
W3030	405
W3330	440
W3630	455

- Peninsula cabinet modification pg. VIII

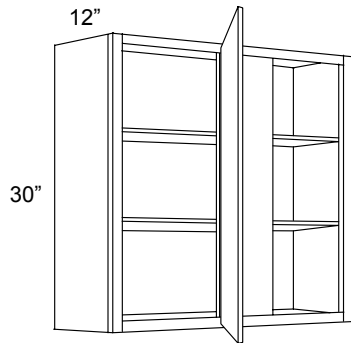


### 30" HIGH

ITEM	N
W3930	495
W4230	560

- 1½" center stile
- Peninsula cabinet modification pg. VIII

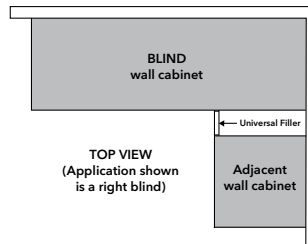
## 30" High Wall Cabinets



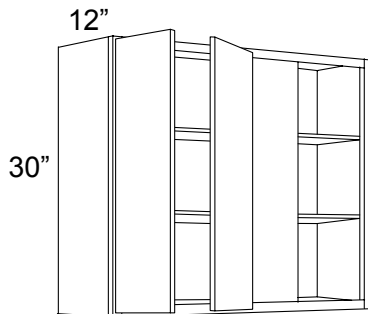
### 30" SINGLE DOOR BLIND

ITEM	N
WBC2430	400
WBC3030	465
WBC3630	555

- Must use filler on adjacent side (not supplied)
- Measurements are rounded off to closest 1/8"



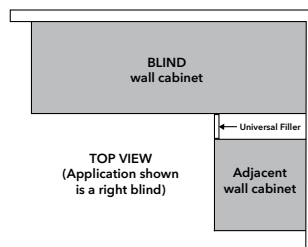
	Act.	Max	Door	Stile	Open (door side)
WBC2430	24"	27"	10 3/8"	6"	7 3/4"
WBC3030	30"	33"	16 3/8"	6"	13 3/4"
WBC3630	36"	39"	22 3/8"	6"	19 3/4"



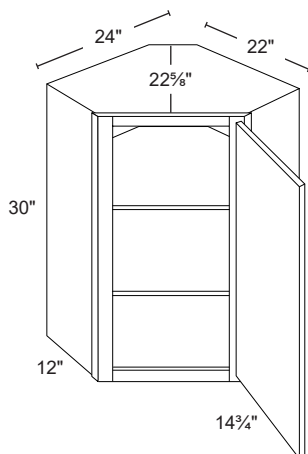
### 30" DOUBLE DOOR BLIND

ITEM	N
WBC4230	645

- Must use filler on adjacent side (not supplied)
- Measurements are rounded off to closest 1/8"



	Act.	Max	Door	Stile	Open (door side)
WBC4230	42"	45"	14 1/8"	6"	25 1/8"

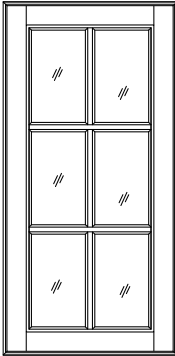


### 30" DIAGONAL CORNER

ITEM	N
WDC2430	515

- Uses 3/8" overlay hinge
- For Lazy Susan see accessories on pg. 22

## 30" High Wall Cabinets



### 30" GLASS DOOR

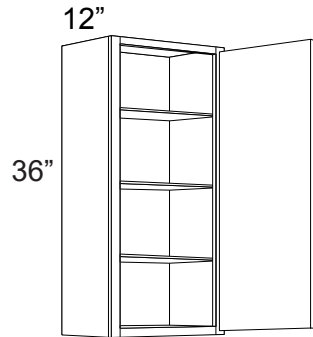
ITEM	N
GD1230	125
GD1530	140
GD1830	165
GD2430◆	135
GDD2430*	145
GD3030◆	145
GD3630◆	170

\* 14¾" wide for WDC2430 only

◆ Cost is for a single door - must order quantity of 2 doors per cabinet

• Glass doors are pre-installed with clear glass only

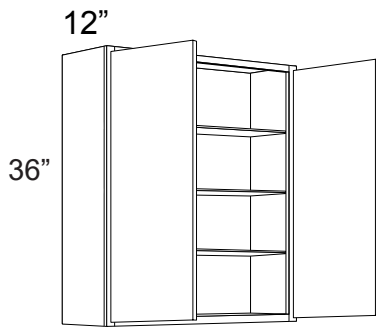
## 36" High Wall Cabinets



### 36" HIGH

ITEM	N
W0936	230
W1236	265
W1536	305
W1836	345
W2136	385

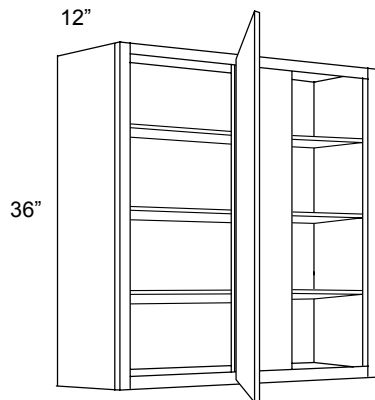
- Peninsula cabinet modification pg. VIII



### 36" HIGH

ITEM	N
W2436	440
W2736	475
W3036	500
W3336	540
W3636	580

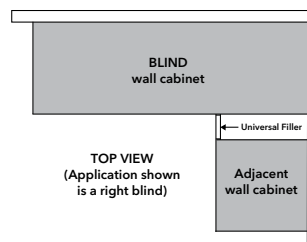
- Peninsula cabinet modification pg. VIII



### 36" SINGLE DOOR BLIND

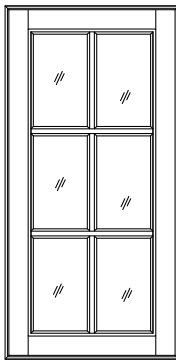
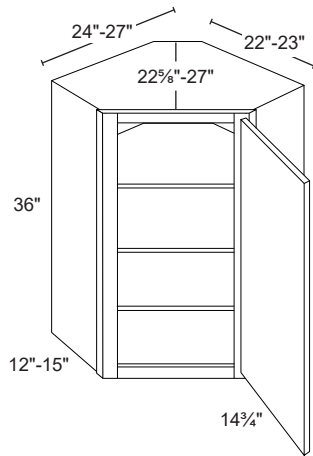
ITEM	N
WBC2436	535
WBC3636	615

- Must use filler on adjacent side (not supplied)
- Measurements are rounded off to closest 1/8"



	Act.	Max	Door	Stile	Open (door side)
WBC2436	24"	27"	10 3/8"	6"	7 3/4"
WBC3636	36"	39"	22 3/8"	6"	19 3/4"

## 36" High Wall Cabinets



### 36" DIAGONAL CORNER

ITEM	N
WDC2436	630
WDC2736	735

- Uses  $\frac{3}{8}$ " overlay hinge
- Lazy Susan pg. 25

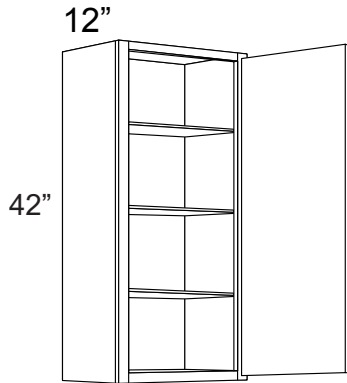
### 36" GLASS DOOR

ITEM	N
GD1236	150
GD1536	165
GD1836	195
GD2436♦	165
GDD2436*	175
GD3036♦	185
GD3636♦	205

\* 14 $\frac{3}{4}$ " wide for WDC2436 & WDC2736

- ♦ Cost is for a single door - must order quantity of 2 doors per cabinet
- Glass doors are pre-installed with clear glass only

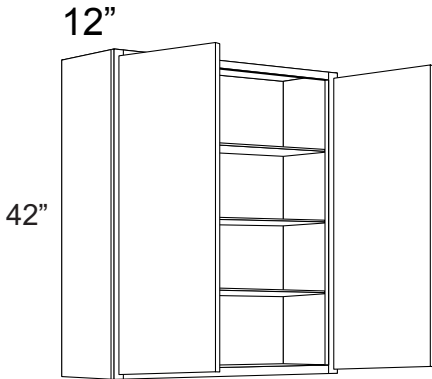
## 42" High Wall Cabinets



### 42" HIGH

ITEM	N
W0942	245
W1242	295
W1542	330
W1842	380
W2142	415

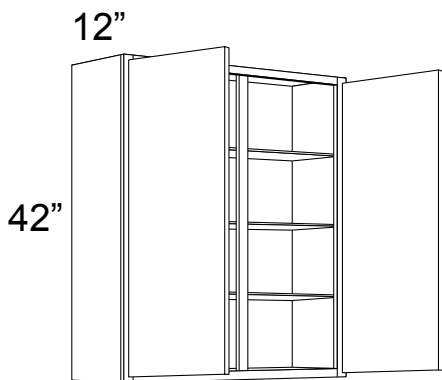
- Peninsula cabinet modification pg. VIII



### 42" HIGH

ITEM	N
W2442	505
W2742	530
W3042	555
W3342	610
W3642	665

- Peninsula cabinet modification pg. VIII

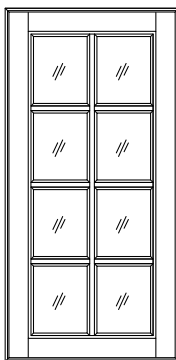
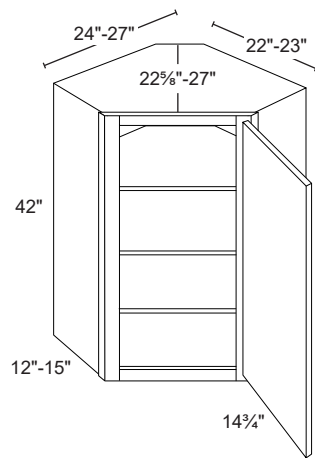
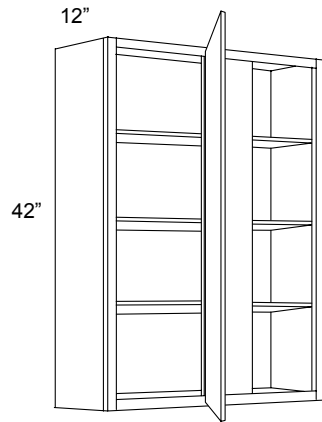


### 42" HIGH

ITEM	N
W3942	770

- 1½" center stile
- Peninsula cabinet modification pg. VIII

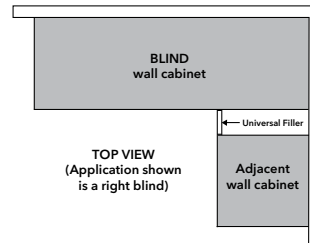
## 42" High Wall Cabinets



### 42" SINGLE DOOR BLIND

ITEM	N
WBC2442	625
WBC3642	655

- Must use filler on adjacent side (not supplied)
- Measurements are rounded off to closest 1/8"



	Act.	Max	Door	Stile	Open (door side)
WBC2442	24"	27"	10 3/8"	6"	7 3/4"
WBC3642	36"	39"	22 3/8"	6"	19 3/4"

### 42" DIAGONAL CORNER

ITEM	N
WDC2442	710
WDC2742	845

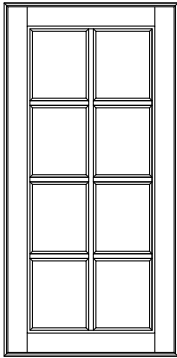
- Uses 3/8" overlay hinge
- Lazy Susan pg. 25

### 42" GLASS DOOR

ITEM	N
GD1242	190
GD1542	205
GD1842	220
GD2442♦	195
GDD2442*	195
GD3042♦	200
GD3642♦	225

- \* 14 3/4" wide for WDC2442 & WDC2742
- ♦ Cost is for a single door - must order quantity of 2 doors per cabinet
- Glass doors are pre-installed with clear glass only

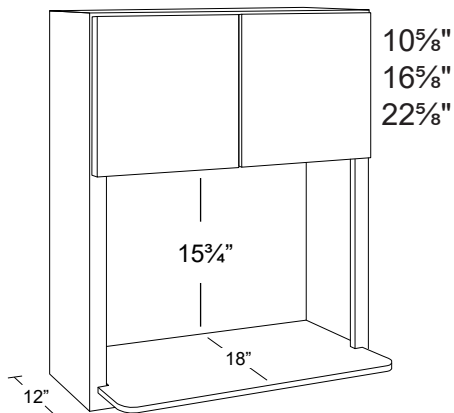
## Specialty Wall Cabinets



### DOOR PREPPED FOR GLASS

ITEM	N
DFG1230	102
DFG1236	125
DFG1242	155
DFG1530	115
DFG1536	135
DFG1542	170
DFG1830	135
DFG1836	160
DFG1842	185
DFG2430*	110
DFG2436*	135
DFG2442*	160
DFG3030*	120
DFG3036*	150
DFG3042*	165
DFG3630*	140
DFG3636*	170
DFG3642*	190

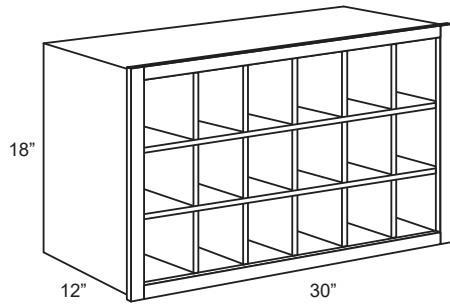
- Glass not included
  - Comes with the center panel removed; vinyl gasket is included for easy installation of glass in the field.
- \* Cost is for a single door, need to order quantity of 2 doors per cabinet



### MICROWAVE

ITEM	N
MW3030	620
MW3036	635
MW3042	645

## Specialty Wall Cabinets

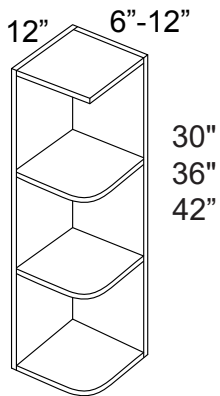


NOTE: DESIGN CHANGE

### WINE RACK

ITEM	N
WR3018	705

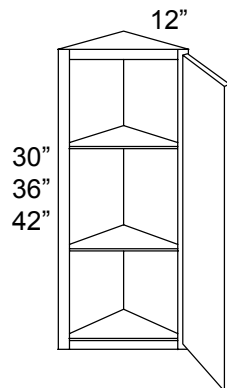
- Finished interior
- 1-½" Framed cabinet construction
- Fits 18 bottles



### OPEN END

ITEM	N
OE1230	175
OE1236	205
OE1242*	230

- Comes as 12" (Fabuwood will cut to 6" at no charge)
- \* Has three shelves

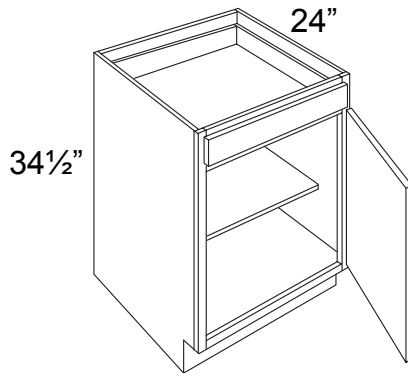


### ANGLE END

ITEM	N
WAE1230	335
WAE1236*	385
WAE1242*	440

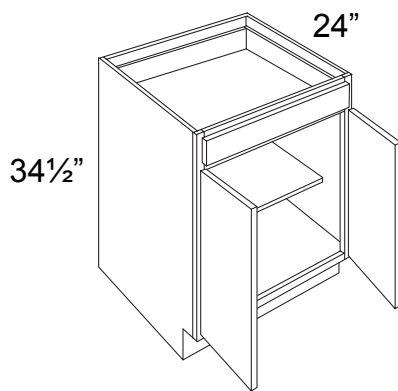
- Can use glass door from a Diagonal Corner Wall cabinet - will require a 1" overlay hinge
- Adjustable shelves
- \* Has three shelves

## Base Cabinets


**SINGLE DOOR**

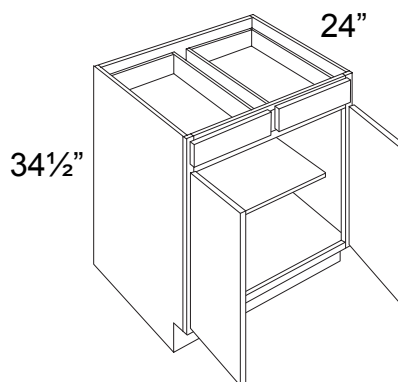
ITEM	N
B09	305
B12	340
B15	355
B18	380
B21	420

- B09 accessories pg. 23
- Peninsula cabinet modification pg. VIII
- Roll Outs pg. 21


**DOUBLE DOOR**

ITEM	N
B24	460
B27	515
B30	555

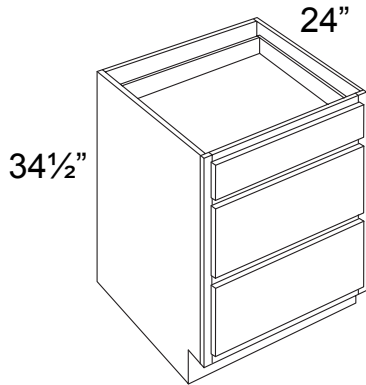
- Peninsula cabinet modification pg. VIII
- Roll Outs pg. 21


**DOUBLE DOOR & DRAWER**

ITEM	N
B33	585
B36	620
B39*	650
B42*	715

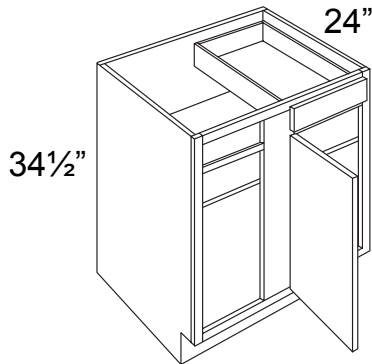
- \* Has 3" center stile
- Roll Outs pg. 21

Base Cabinets



**DRAWER**

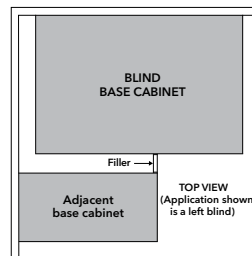
ITEM	N
DB12	520
DB15	535
DB18	565
DB24	610
DB30	965
DB36	1010



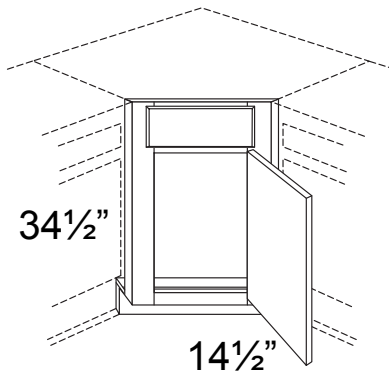
**BLIND**

ITEM	N
BLB36/39	580
BLB42/45	655
BLB48/51	745

- Must use filler on adjacent side (not supplied)
- Measurements are rounded off to closest 1/8"



	Act.	Min.	Max.	Door	Stile	Open
BLB36/39	27"	36"	41 1/4"	10 1/2"	8"	8"
BLB42/45	39"	42"	47 1/4"	15 1/4"	9"	14"
BLB48/51	48"	48"	52"	21 1/4"	7 1/4"	18 3/4"

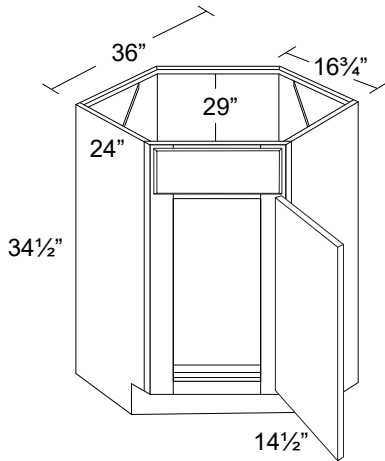


**DIAGONAL SINK FRONT**

ITEM	N
DSF36*	200
DSFL36**	120

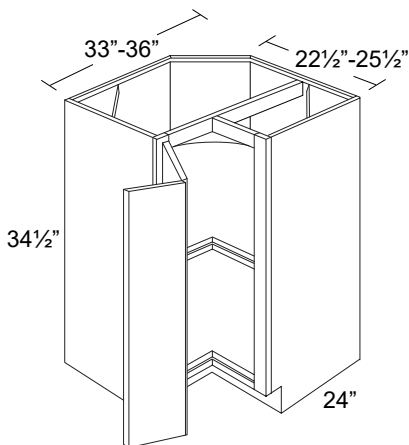
- Uses 3/8" overlay hinge
- Tilt Out pg. 27
- \* DSF36 The sink front has a 17" face dimension.
- \*\* DSFL36 The floor must be ordered separately

## Base Cabinets


**DIAGONAL SINK**

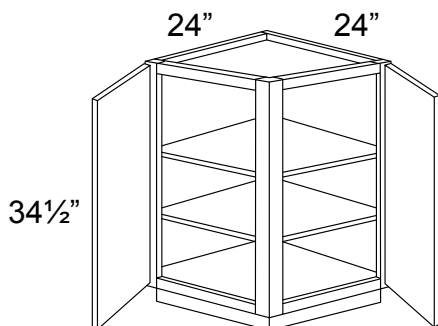
ITEM	N
DSB36	830

- Uses 3/8" overlay hinge
- Tilt Out pg. 27


**LAZY SUSAN**

ITEM	N
LSB33	955
LSB36	1035

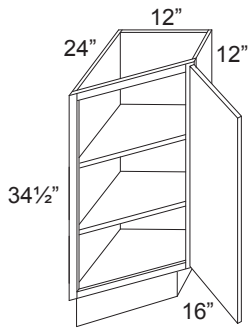
- Once assembled, door cannot be reversed
- Both wooden Lazy Susan trays rotate independently
- Center tray is mounted on 15mm (5/8") adjustable shelf


**RETURN ANGLE**

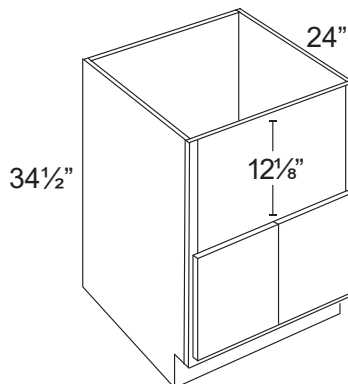
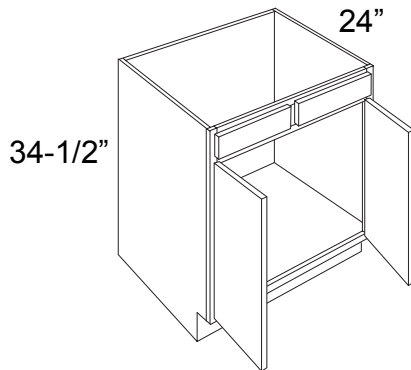
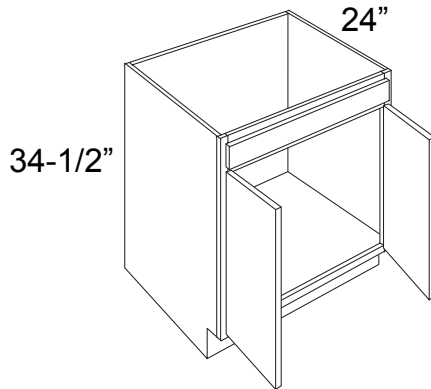
ITEM	N
BRA24	550

- Door width: 17 1/2"
- Adjustable shelving

## Base Cabinets



BASE TRANSITIONAL RIGHT SHOWN


**TRANSITIONAL**

ITEM	N
BTR12	390
BTL12	390

**SINK**

ITEM	N
SB24	455
SB27	470
SB30	500

- Tilt Out pg. 27

**SINK**

ITEM	N
SB33	520
SB36	530
SB39*	545
SB42*	555

- Tilt Out pg. 27
- \* Has a 3" center stile

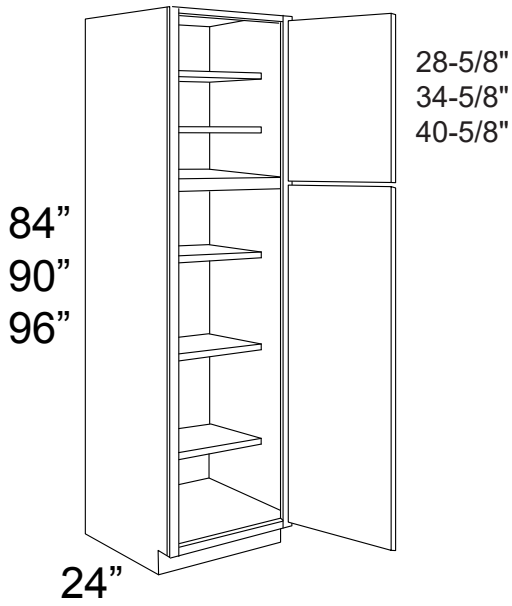
**FARM SINK**

ITEM	N
FS30	1250
FS33	1265
FS36	1280

- Cut opening on job site
- Frame has a full closed top panel Maximum cutout height 12"
- Maximum cutout width 1 1/2" less than the cabinet size

Note: To avoid damage please apply extra care when cutting the front panel.

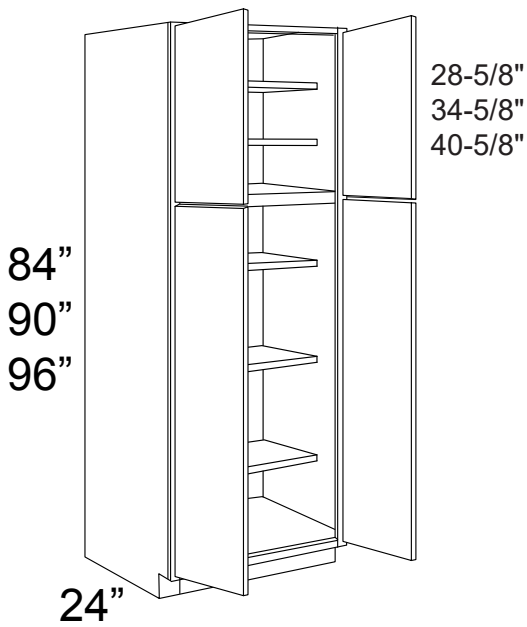
## Tall Pantry Cabinets



### SINGLE DOOR

ITEM	N
TP152484	1055
TP182484	1145
TP152490	1140
TP182490	1205
TP152496	1195
TP182496	1255

- 84" high - 5 shelves
- 90" & 96" high - 6 shelves
- 18" deep shelves
- Roll Outs pg. 21

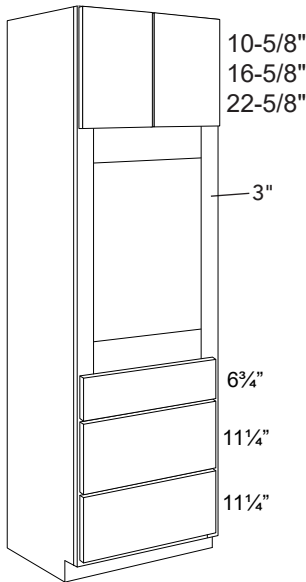


### DOUBLE DOOR

ITEM	N
TP242484	1205
TP302484	1290
TP242490	1280
TP302490	1375
TP242496	1330
TP302496	1425

- 84" high - 5 shelves
- 90" & 96" high - 6 shelves
- 18" deep shelves
- Roll Outs pg. 21

## Oven Cabinets



### OVEN CABINET

ITEM	N
OC3384	1940
OC3390	1975
OC3396	2000

\* Has one shelf in top cabinet.

#### When using a Single Oven:

- Wide rails face frame to be trimmed on side
- Minimum Width opening 27"
- Maximum **cut out** width 31"
- Minimum Height opening 28 1/2"
- Maximum **cut out** height is 37"
- Maximum **overall** oven Height 37 1/2"

#### When using a Combo Oven:

- Wide rails face frame to be trimmed on side
- Minimum Width opening 27"
- Maximum **cut out** width 31"
- Minimum **cut out** height 39 3/8"
- Maximum **cut out** height is 44"
- Maximum **overall** oven Height 44 5/8"

#### When using a Double Oven:

- Wide rails face frame to be trimmed on side
- Minimum Width opening 27"
- Maximum **cut out** width 31"
- Minimum **cut out** height is 50 3/4"
- Maximum **cut out** height is 55 1/2"
- Maximum **overall** oven Height 56"

#### When using two appliances:

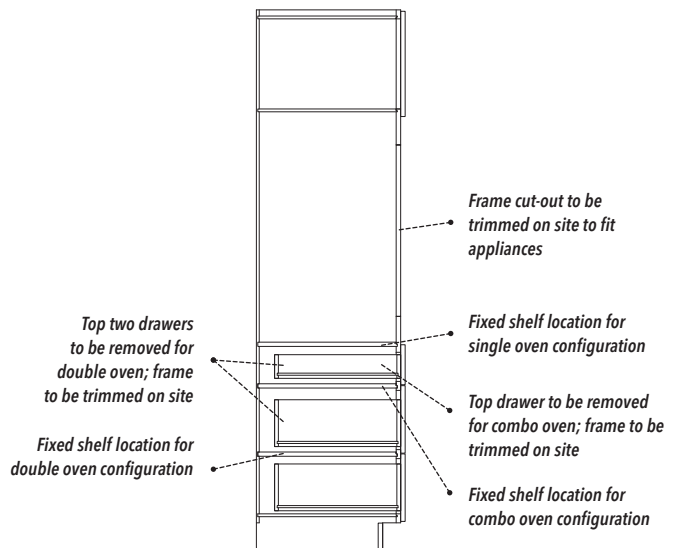
- Will need to insert a filler and fixed shelf to support top appliance, filler and shelf to be purchased separately

Please include size of oven cut out in your order. Full panel face frame to be trimmed on site (not by Fabuwood).

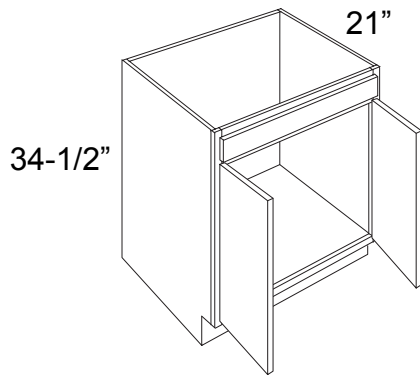
**Note:** To avoid damage to the frame & side panels, please apply extra care when cutting the front panel.

### SPECIFICATION FOR OVEN CABINET

Tall Oven Cabinets come with single fixed shelf above top drawer. Fixed shelf will be located above the uppermost drawer; location is based on the selected configurations: Single, Combo, Double. Frame is to be trimmed on site to accommodate configuration & appliance needs.

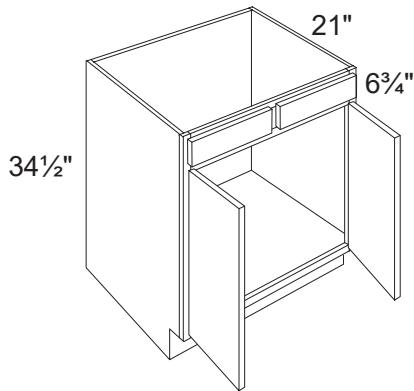


Vanities



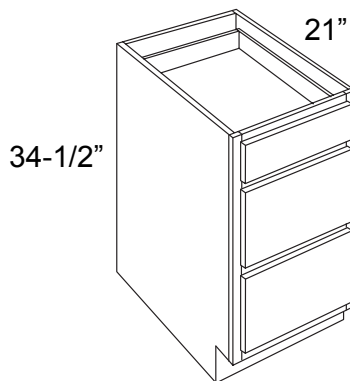
**34½" HIGH VANITY SINK BASE**

ITEM	N
VSB24-34	445
VSB30-34	470



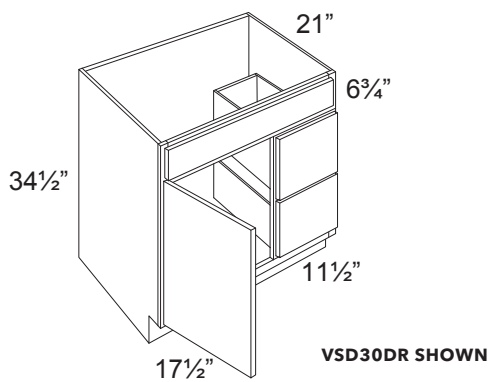
**34½" HIGH VANITY SINK BASE**

ITEM	N
VSB36-34	505



**34½" HIGH VANITY DRAWER BASE**

ITEM	N
VDB12-34	475
VDB15-34	500

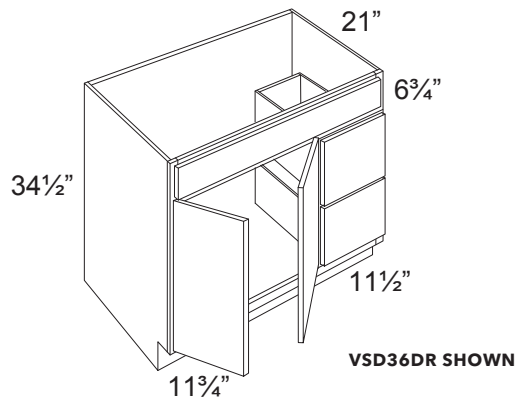


**VANITY SINK BASE COMBO**

ITEM	N
VSD30DR	700
VSD30DL	700

*Need to select drawer on right or left side, cabinet can't be reversed R/L after assembled.*

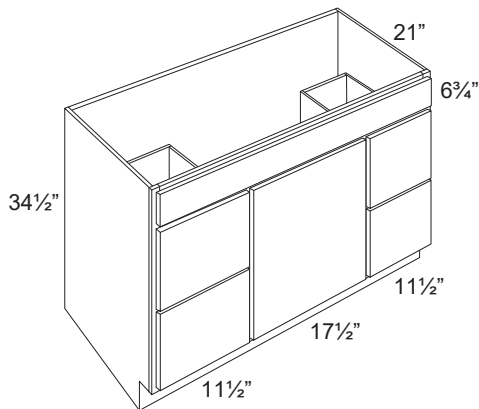
Vanities



**VANITY SINK BASE COMBO**

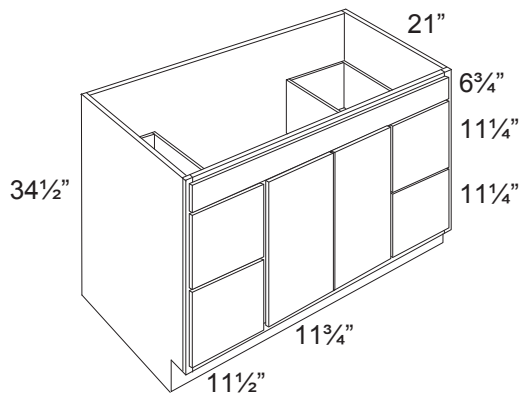
ITEM	N
VSD36DR	750
VSD36DL	750

*Need to select drawer on right or left side, cabinet can't be reversed R/L after assembled.*



**VANITY SINK BASE COMBO**

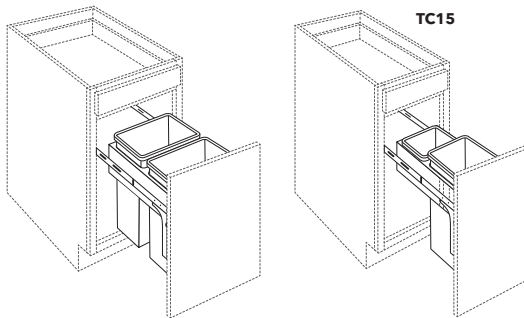
ITEM	N
VSD42 (34" high)	810



**VANITY SINK BASE COMBO**

ITEM	N
VSD48 (34" high)	920

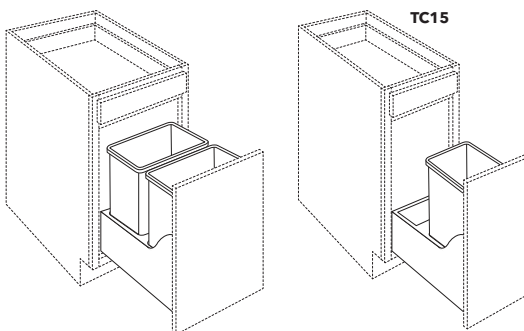
## Waste Solutions / Accessories



### TRASH CAN

ITEM	N
TC15	515
TC18	760
TC21	820

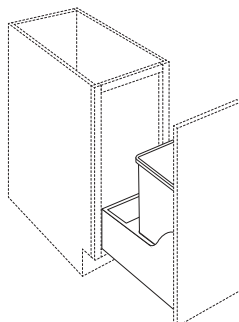
- Cabinet not included, cabinet must be ordered separately
- Full extension slides (not soft-close)
- 35 qt. can(s) included
- \* One garbage can and one bags bin



### TRASH CAN (W/ BLUM SLIDES)

ITEM	N
TC15 BLUM	960
TC18 BLUM	1035
TC21 BLUM	1140
TCV15 BLUM♦	875

- Tandem plus Blumotion full extension concealed drawer runners
- Cabinet not included, cabinet must be ordered separately
- 2 - 35 qt. cans included
- \* Single 35 qt. can + one bags bin
- ♦ Smaller depth for vanity cabinets 21" deep

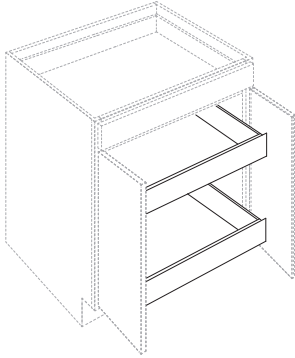


### TRASH CAN FULL HEIGHT DOOR (W/ BLUM SLIDES)

ITEM	N
TC15FHD BLUM	960
TC21FHD BLUM	1140

- Tandem plus Blumotion full extension concealed drawer runners
- Cabinet not included, cabinet must be ordered separately
- 2 - 50 qt. can included
- Includes installation
- Not for ADA cabinet use
- FULL-DOORS modification is required
- \* Single 50 qt. can + one bags bin

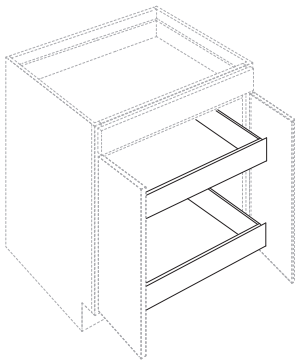
## Base / Accessories



### ROLL OUT (PARTIAL EXTENSION BLUM SLIDES)

ITEM	N
ROD-B15 BLUM E	225
ROD-B18 BLUM E	240
ROD-B21 BLUM E	245
ROD-B24 BLUM E	255
ROD-B27 BLUM E	260
ROD-B30 BLUM E	275
ROD-B33 BLUM E	280
ROD-B36 BLUM E	290

- Cabinet not included
- Price is for a single Roll Out drawer
- Blumotion partial extension concealed drawer runners
- Drawers are adjustable
- Can be used for pantries



### ROLL OUT (FULL EXTENSION BLUM SLIDES)

ITEM	N
ROD-B15 BLUM H	290
ROD-B18 BLUM H	305
ROD-B21 BLUM H	310
ROD-B24 BLUM H	320
ROD-B27 BLUM H	325
ROD-B30 BLUM H	335
ROD-B33 BLUM H	340
ROD-B36 BLUM H	345

- Cabinet not included
- Price is for a single Roll Out drawer
- Blumotion full extension concealed drawer runners
- Drawers are adjustable
- Can be used for pantries

## Base / Accessories



### TWO-TIER COOKWARE ORGANIZER

ITEM	N
CWO-B18 BLUM	1325
CWO-B24 BLUM	1535

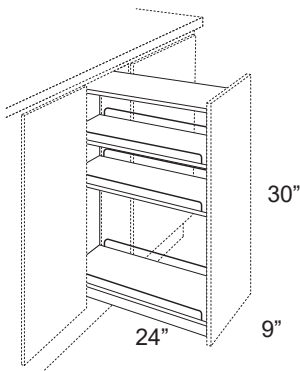
- Cabinet not included
- Full-extension Blum slides
- Pegboard bottoms
- 4 Press-in pegs included



### 3" TOWEL BAR PULL OUT

ITEM	N
TBPO-BF3	530

- Filler & Overlay Filler are required and need to be ordered separately
- 2 Towel bars
- Single static shelf with chrome wire accents
- UV coated maple wood
- Installed on site
- Installed between two cabinets
- Full-extension, ball-bearing slides with soft-close

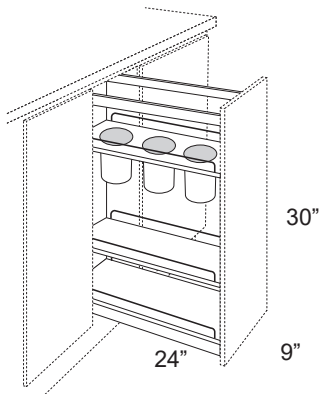


### SPICE PULL OUT BASE 9"

ITEM	N
SPO-B9	670
SPO-B9 BLUM	995

- Cabinet not included, cabinet must be ordered separately
- FULL-DOORS modification is required
- Chrome rails
- Adjustable shelves
- UV coated maple wood
- \* Full extension ball-bearing slides (not soft-close)

## Storage / Accessories



### UTENSIL PULL OUT BASE 9" (W/ BLUM SLIDES)

ITEM	N
UPO-B9 BLUM	1085

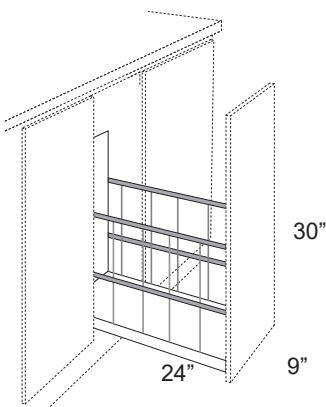
- Cabinet not included, cabinet must be ordered separately
- FULL-DOORS modification is required
- Chrome rails
- Adjustable shelves
- UV coated maple wood
- Features Blumotion soft-close drawer slides



### UTENSIL & KNIFE PULL OUT

ITEM	N
UKBPO-B12 BLUM	1495

- Cabinet not included, cabinet must be ordered separately
- FULL-DOORS modification required
- Knife block features flex rod technology that adjust to securely hold knives
- Chrome rails
- Adjustable top shelf
- 2 qt. removable stainless steel bin included
- 4 flexible plastic cutting mats included
- UV coated maple wood
- Features Blumotion soft-close drawer slides

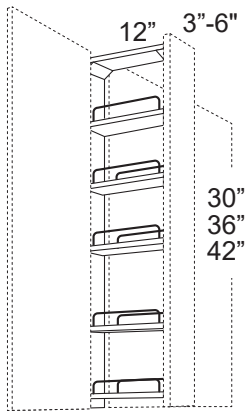
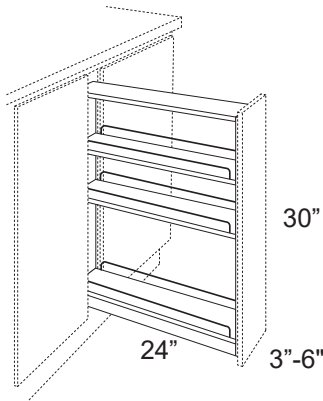


### TRAY DIVIDER PULL OUT BASE 9" (W/ BLUM SLIDES)

ITEM	N
TDPO-B9 BLUM	825

- Cabinet not included, cabinet must be ordered separately
- FULL-DOORS modification is required
- UV coated maple wood
- Features Blumotion soft-close drawer slides

## Base & Wall / Accessories



### SPICE PULL OUT BASE FILLER

ITEM	N
SPO-BF3	410
SPO-BF6	465
SPO-BF3 BLUM	720
SPO-BF6 BLUM	855

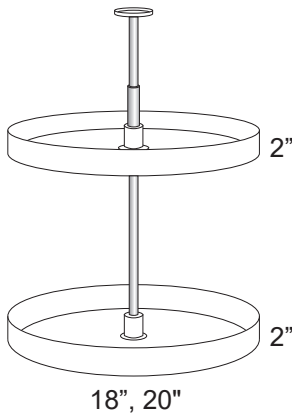
- Filler & Overlay Filler are required and need to be ordered separately
- Chrome rails
- Adjustable shelves
- UV coated maple wood
- Installed on site
- Installed between two cabinets
- Not for ADA cabinet use
- Wall filler 30" high is recommended instead of a base filler, requires to build toe kick separately
- \* Full extension ball-bearing slides (not soft-close)

### SPICE PULL OUT WALL FILLER

ITEM	N
SPO-WF330	465
SPO-WF336	500
SPO-WF342	530
SPO-WF630	535
SPO-WF636	575
SPO-WF642	615

- Filler & Overlay Filler are required and need to be ordered separately
- Chrome rails
- Full extension ball-bearing slides (BLUM soft-close slides not available)
- Adjustable shelves
- UV coated maple wood
- Installed on site
- Installed between two cabinets
- Wall filler 30" high is recommended instead of a base filler, requires to build toe kick separately

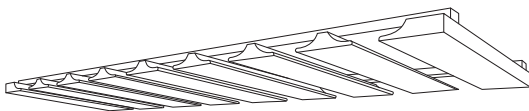
## Wall / Accessories



### LAZY SUSAN

	ITEM	N
PLASTIC	LSP24 30	275
	LSP24 36/42	420
WOOD	LSW24 30	525
	LSW24 42	820
	LSW27 30*	670
	LSW27 42*	1050

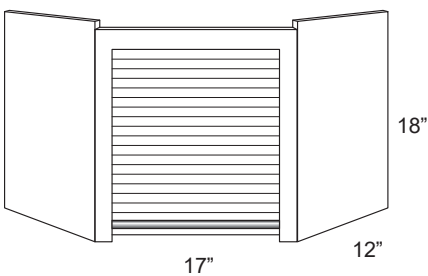
- Adjustable metal post
- 42" lazy susan has 3 trays
- Prepared for installation at job site
- 42" poles can be cut to fit 36" high cabinet
- \* 20" trays



### STEMWARE RACK

ITEM	N
STEMWARE 30	495
STEMWARE 36	520

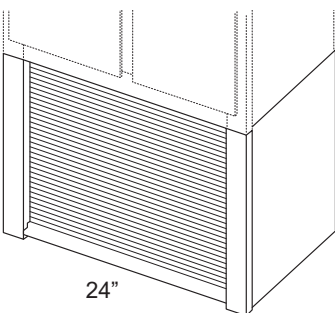
- Comes unfinished. Product finished per order. May have extended ETA.



### CORNER APPLIANCE GARAGE

ITEM	N
APPLIANCE GARAGE	935

- Comes unfinished. Product finished per order. May have extended ETA.
- Designed to be installed under a diagonal corner wall 24".

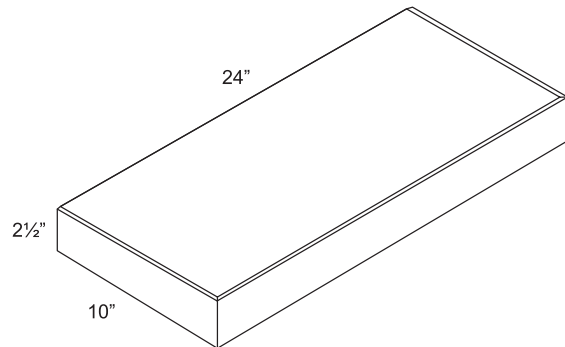


### STRAIGHT APPLIANCE GARAGE

ITEM	N
APPLIANCE GARAGE 24"	1195

- Comes unfinished. Product finished per order. May have extended ETA.
- Designed to be placed under a 24" wide wall cabinet.

**Wall / Accessories**

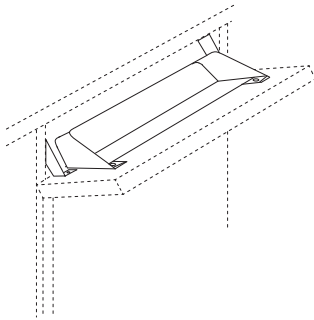


**STAINLESS STEEL FLOATING SHELF**

ITEM	N
SSFLS24	535
SSFLS30	580
SSFLS36	685

- *Hanging bracket included*
- *Dimensions:*  
*Width: 24", 30", 36"*  
*Height - 2½"*  
*Depth - 10"*

**Sink / Accessories**



**TILT OUT**

ITEM	N
TILTOUT 11"	190
TILTOUT 14"	190
TILTOUT 24"	190

- *White plastic tray*

## Drawer / Accessories



### TIERED DEEP DRAWER

ITEM	N
DTD-DB30 BLUM	1090
DTD-DB36 BLUM	1155

- For DB30 & DB36 only
- Replaces the original drawer box of cabinet
- UV coated maple wood
- Drawer front not included
- 3 drawer compartments
- Blumotion full extension concealed drawer runners



### CUTTING BOARD & KNIFE DRAWER

ITEM	N
CBKD-B18 BLUM	825

- For 18" cabinet drawer only
- Replaces the original drawer box of cabinet
- UV coated maple wood
- Up to 4 compartments and built-in knife organizer
- 1 wooden cutting board
- Blumotion full extension concealed drawer runners

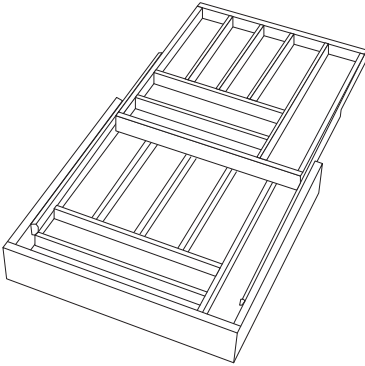


### CHARGING DRAWER

ITEM	N
CHD-B18 BLUM	1375

- For 18" cabinet drawer only
- Replaces the original drawer box of cabinet
- UV coated maple wood
- Blumotion full extension concealed drawer runners
- (2) 120V plugs and (2) 201 amp USB ports
- Tamper resistant outlets
- Max current: AC: 12 amps @ 120VAC; USB 2.1 amp & 5 VDC
- Power cord with NEMA 5 - 15 plug
- Integrated cord guide to ensure safe operation
- Shock absorbent mat, black
- Overall safety of this product is determined by its end use

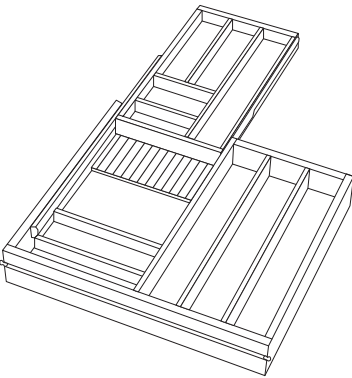
## Drawer / Accessories



### 2-TIER CUTLERY DRAWER

ITEM	N
DCD-15 BLUM	435
DCD-18 BLUM	525
DCD-21 BLUM	575
DCD-24 BLUM	610

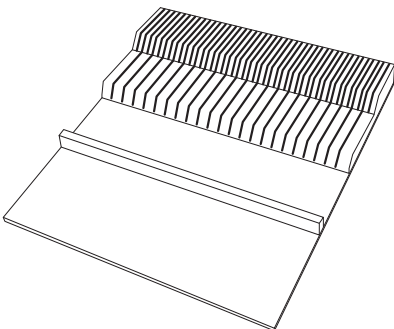
- UV coated maple wood
- Includes complete 3¾" high drawer box
- Blumotion full extension concealed drawer runners



### 2-TIER CUTLERY COMBO DRAWER

ITEM	N
DCD-30 BLUM	715
DCD-36 BLUM*	830

- UV coated maple wood
- Includes complete 3¾" high drawer box
- \* For DB36 only



### TRIMMABLE KNIFE DIVIDER

ITEM	N
DKI-18/24	255

- UV coated maple wood
- Total height: 2"
- ¾" plywood bottom

## Vanity / Accessories



### VANITY OUTLET GROOMING ORGANIZER

ITEM	N
VGO12FD BLUM	1930

- Cabinet not included, cabinet must be ordered separately
- FULL-DOORS modification required
- 2 removable stainless steel bins included
- 2 shelves with non-skid vinyl lining and acrylic accents
- In-drawer receptacle with (2) 120V plugs
- Tamper-resistant outlets
- Max Current: AC: 12 amps @ 120VAC
- Power cord with NEMA 5 - 15 plug
- Integrated cord guide ensures safe operation
- Drawer stop prevents items from being stored "ON" inside the cabinet
- Its end-use determines the overall safety of this product
- UV coated maple wood
- Not for ADA cabinet use
- Blumotion full extension concealed drawer runners



### TRIMMABLE VANITY DRAWER ORGANIZER INSERT

ITEM	N
VDO	520

- Designed for 21" or smaller vanity base drawers
- Anti-skid vinyl lining
- Up to 13 compartments
- 2 clear acrylic lids
- UV coated maple wood



### VANITY APPLIANCE STORAGE RACK

ITEM	N
VASR-30	290

- Designed for 30" vanity base cabinet
- Mounts to inside of right or left door
- Non-skid lining on lower level shelf
- (2) 1.25 qt. stainless steel bins
- UV coated maple wood

## Vanity / Accessories



### VANITY ORGANIZER PULL OUT

ITEM	N
VOPO-24 BLUM	815

- Tandem plus Blumotion full extension drawer runners
- Designed for 24"-30" Vanity Sink Base
- Reversible
- 6 Acrylic bins included



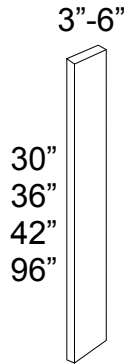
### U-SHAPED VANITY SINK BASE PULL OUT

ITEM	N
UVTCPO-30 BLUM	800

- Tandem plus Blumotion full extension drawer runners
- Designed for 30" Vanity Sink Base, but works great in standard depth base cabinets as well
- Non-skid vinyl lining
- 4 adjustable dividers
- 8 qt. waste container included

*Any accessories can be ordered and installed through Fabuwood*

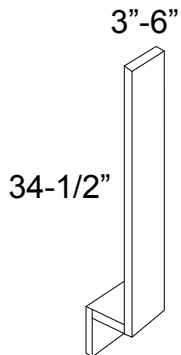
## Fillers / Accessories



### WALL & TALL

ITEM	N
WF330	26
WF336	35
WF342	42
WF630	58
WF636	79
WF642	92
TF396	98
TF696	185

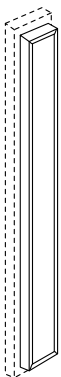
- 2 sides of filler are finished



### BASE

ITEM	N
BF3	39
BF6	73

- 2 sides of filler are finished

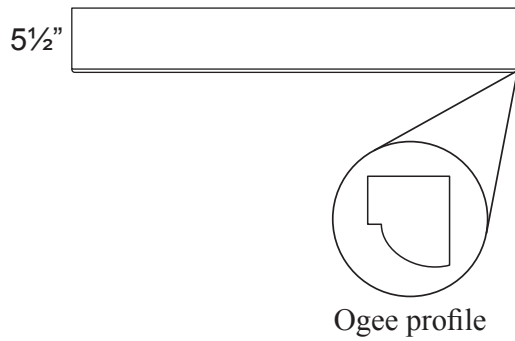


### OVERLAY

ITEM	N
OLFBF3	93
OLFBF6	150
OLF330♦	85
OLF336	97
OLF342	110
OLF630♦	135
OLF636	175
OLF642	205

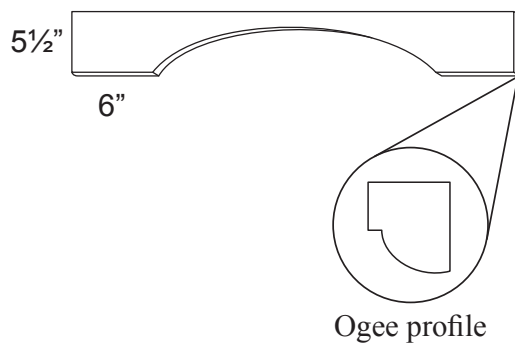
- Overlay Base Filler is 29½" high
- Sides of filler are finished
- ♦ Will not fit for a base cabinet

**Valances / Accessories**



**STRAIGHT**

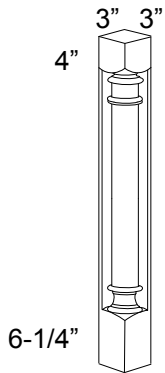
ITEM	N
VST96	225



**ARCHED**

ITEM	N
VAR54	120

## Posts & Pilasters / Accessories

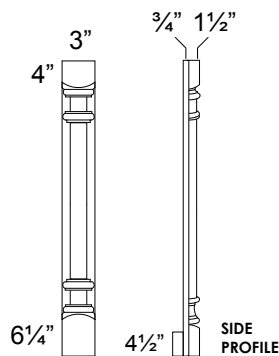


### CORNER POST

ITEM	N
CP36	380

- Must trim 2" from top or bottom

*Disclaimer: Pilasters are handmade and may therefore feature inconsistencies in shape or form. These are in no way considered defects.*

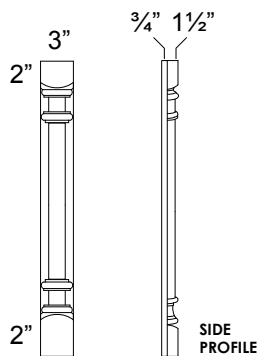


### PILASTER BASE

ITEM	N
PP-BASE	275

- Must trim 2" from top or bottom
- Features a toe kick block behind the pilaster

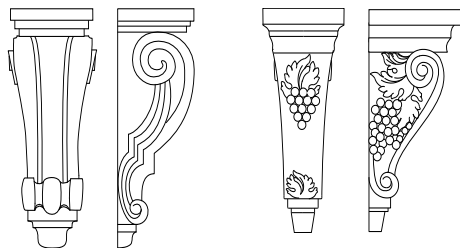
*Disclaimer: Posts are handmade and may therefore feature inconsistencies in shape or form. These are in no way considered defects.*



### PILASTER WALL

ITEM	N
PP-W30	240
PP-W36	265
PP-W42	295

*Disclaimer: Posts are handmade and may therefore feature inconsistencies in shape or form. These are in no way considered defects.*



**CT**  
(H6 1/2" x W3 3/4" x D3 1/2")

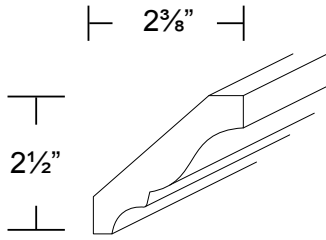
**CG**  
(H10" x W4 5/8" x D5 1/4")

### CORBELS

ITEM	N
CTS	195
CGS	225

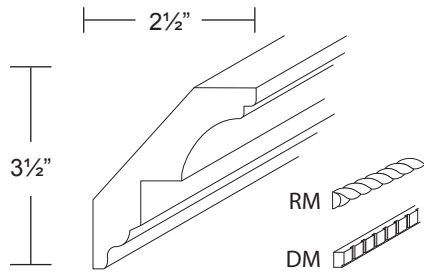
*Disclaimer: Corbels are handmade and may therefore feature inconsistencies in shape or form. These are in no way considered defects.*

## Moldings (8') / Accessories



### SMALL CROWN

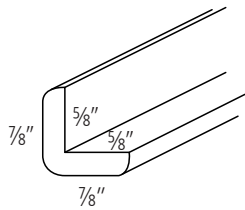
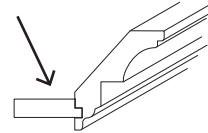
ITEM	N
CM-1	145



### ROYAL CROWN & INLAY

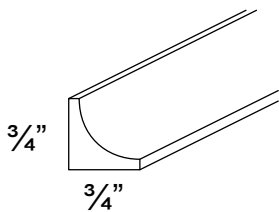
ITEM	N
TCM*	210
RM	87
DM	87

\* Back-mounting cleat included



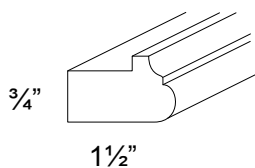
### OUTSIDE CORNER

ITEM	N
OCM8	76



### INSIDE CORNER

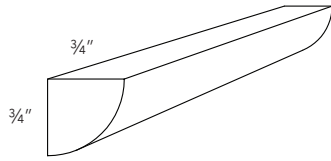
ITEM	N
ICM8	73



### LIGHT RAIL

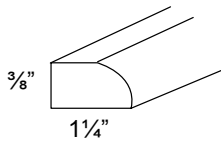
ITEM	N
LRM	180

## Moldings (8') / Accessories



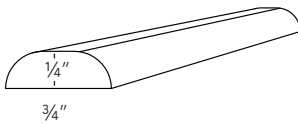
### QUARTER ROUND

ITEM	N
QRM	76



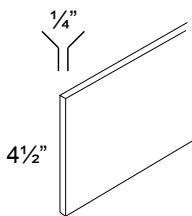
### SCRIBE

ITEM	N
SM8	47



### BATTEN

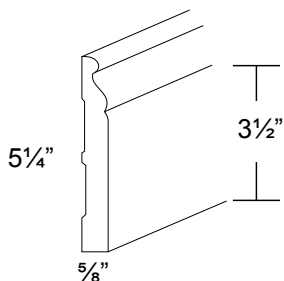
ITEM	N
BM3/4	53



### TOE KICK

ITEM	N
TK8	67

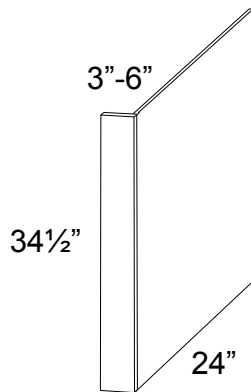
- Matching color medium-density fiberboard toe kick



### BASE

ITEM	N
BBM	225

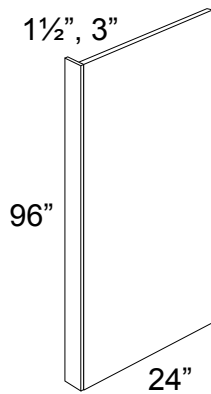
## Panels / Accessories



### DISHWASHER END PANEL

ITEM	N
DWR3	155
DWR6	240

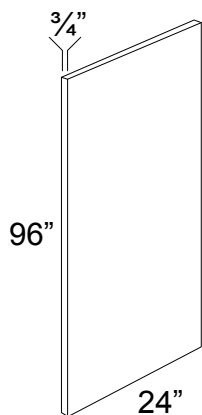
- Sides are near flushed finished (no 1/4" reveal)



### REFRIGERATOR END PANEL WITH RETURN

ITEM	N
REP1-1/2	305
REP3	395

- Sides are near flushed finished (no 1/4" reveal)

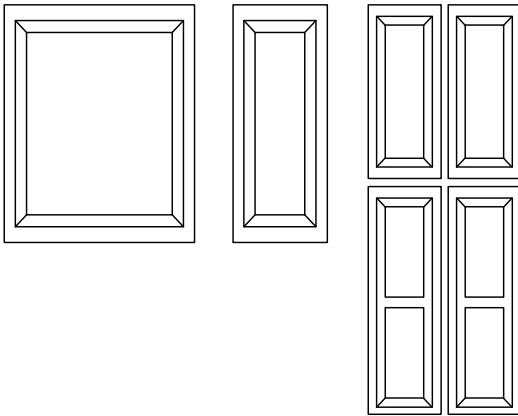


### REFRIGERATOR END PANEL

ITEM	N
REP2496	360

- Edge banded on both 96" sides.

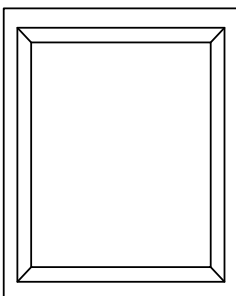
## Panels / Accessories



### WAINSCOT

ITEM	N
WP-BASE	235
WP-W30	125
WP-W36	155
WP-W42	185
WP-T84	560
WP-T90	615
WP-T96	685

- *BASE - 23-1/2" X 29-1/2"*
- *W30 - 11-1/2" X 28-5/8"*
- *W36 - 11-1/2" X 34-5/8"*
- *W42 - 11-1/2" X 40-5/8"*
- *TALL WIDTH - 11-3/4" EACH DOOR*

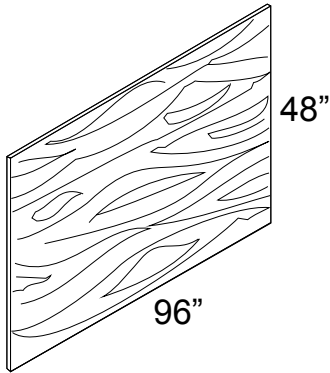


### DECO DOOR

ITEM	N
DD B09FD	110
DD B12FD	145
DD B15FD	175
DD B18FD	200
DD B21FD	225

- *Door height is 29-1/2"*
- *Door width is same as door on cabinet*
- *Door is not pre-drilled for hinges*

**Panels / Accessories**



**PLYWOOD**

ITEM	N
PAN-1/4	320
PLY-1/2	550
PLY-3/4	635



**TOUCH UP KIT**

ITEM	N
TOUCH UP KIT	76





Copyright © 2022 by Fabuwood Cabinetry Corp.

All rights reserved.

No part of this publication may be reproduced, distributed, or transmitted in any form or by any means, including photocopying, scanning, or other electronic or mechanical methods, including online sharing, without the prior written permission of Fabuwood Cabinetry Corp.



69 Blanchard Street | Newark, NJ 07105 | T: (201) 432-6555 | F: (201) 432-6055 | [www.fabuwood.com](http://www.fabuwood.com)

