

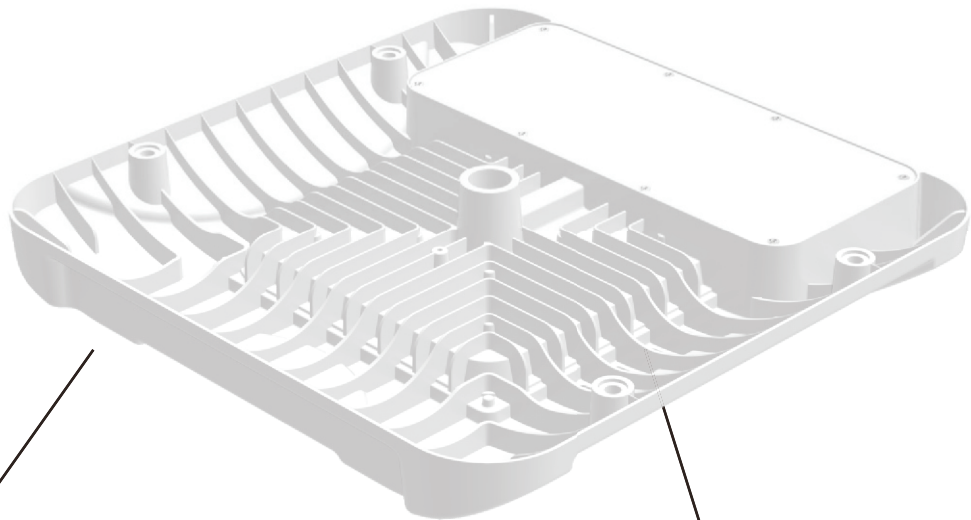


LED Canopy Light

Onward ™
TECH INC

Product Appearance

Original design
VAG 100-277
5 Years warranty



135 Lm/W
LM-80
CRI >80
PF ≥0.9

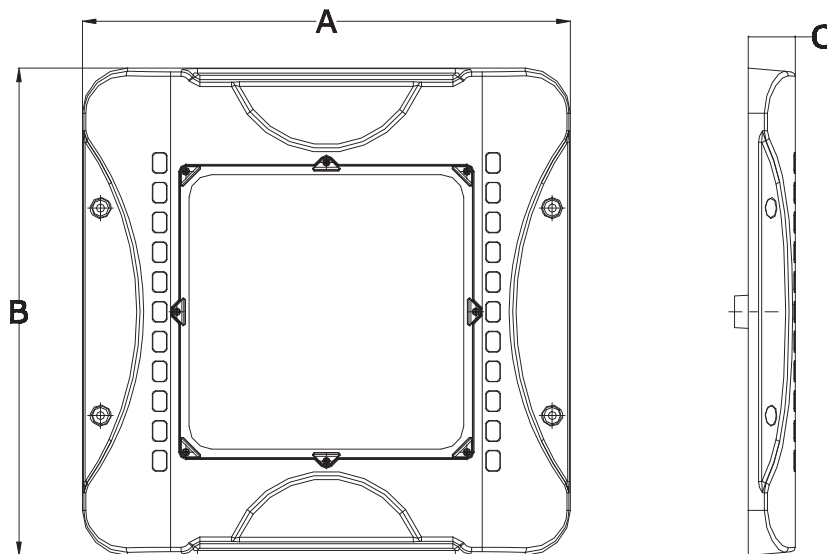
120°
0-10V Dimmers

Product Features

1. Features

- Universal voltage AC100-277V 50/60Hz.
- Using high quality 3030 chips, LM-80 report and IES data available.
- High Power Factor>0.9, Low THD Driver.
- The whole lamp with the powder coating is brighter, without fading and corrosion.
- Flat grind arenaceous glass lens.
- Built-in light module, easy maintenance, low maintenance costs.
- Dust-proof and waterproof, IP65.
- 5years Warranty.
- Available with Microwave Motion Sensor.
- DLC/Lighting facts certificate.

Product Dimension



Model Number	A (inch)(mm)	B (inch)(mm)	C (inch)(mm)
OW-US-C03-100W	16.53" (420mm)	16.53" (420mm)	2.05" (52.0mm)
OW-US-C03-150W	16.53" (420mm)	16.53" (420mm)	2.05" (52.0mm)
OW-US-C03-200W	21.26" (540mm)	21.26" (540mm)	2.05" (52.0mm)
OW-US-C03-240W	21.26" (540mm)	21.26" (540mm)	2.05" (52.0mm)

Specification

Model Number	Power	Input Voltage	IP Rating	Input Current	PF	Light Efficacy	Ra	CCT
OW-US-C03-100W	100W	AC100-277V	IP 65	1.0A	>0.9	135m/w	80	4000-5700K
OW-US-C03-150W	150W	AC100-277V	IP 65	1.5A	>0.9	135m/w	80	4000-5700K
OW-US-C03-200W	200W	AC100-277V	IP 65	2.0A	>0.9	135m/w	80	4000-5700K
OW-US-C03-240W	240W	AC100-277V	IP 65	2.4A	>0.9	135m/w	80	4000-5700K

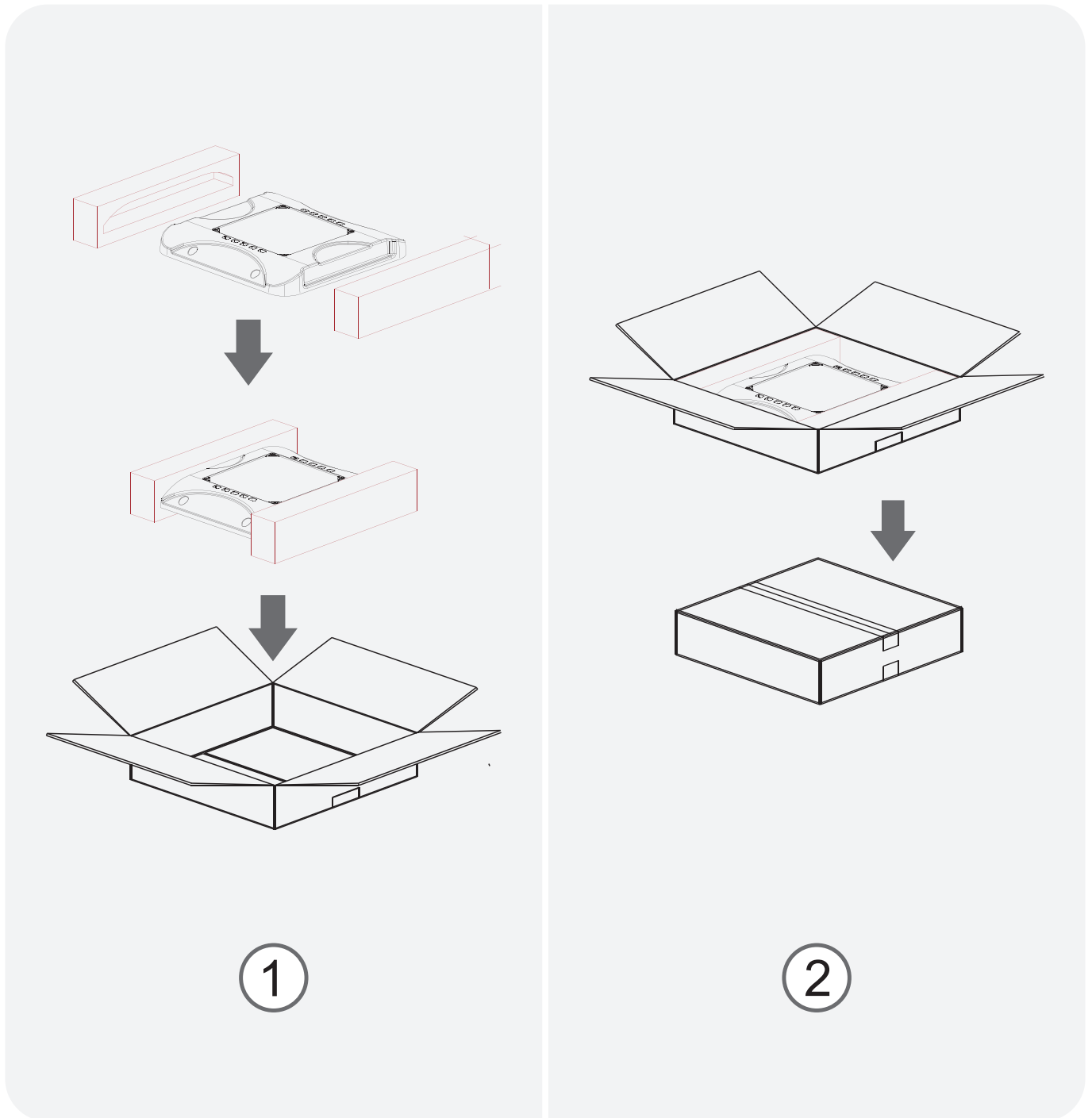
Packing / weight

Model Number	Outer Carton Size (LxWxH)	Qty/Carton (pcs)	Net weight (kg)(lbs)	Gross weight (kg)(lbs)	20GP (QTY)	40GP (QTY)
OW-US-C03-100W	465*460*120mm	1	4.5kg/9.9lbs	5.5kg/12.1lbs	1034	2448
OW-US-C03-150W	465*460*120mm	1	4.6kg/10.12lbs	5.6kg/12.3lbs	1034	2448
OW-US-C03-200W	585*580*120mm	1	5.5kg/12.1lbs	6.5kg/14.3lbs	652	1543
OW-US-C03-240W	585*580*120mm	1	5.6kg/12.3lbs	6.6kg/14.5lbs	652	1543

Cautions

1. Only persons qualified for electrical work should carry out electrical work.
2. All wiring should be performed after shutting off electricity or power to the lighting fixture.
3. Do Not disassemble or modify the LED CANOPY LIGHT.
4. Do Not drop the LED CANOPY LIGHT. Take precautions to ensure the LED CANOPY LIGHT does not experience any strong impact.
5. Keep this product Manual in a safe place for reference.
6. The manufacturer and/or the seller will not be held responsible for any damage caused to the LED CANOPY LIGHT by the user(s) during installation .
7. Be sure to ground the fixture.
8. Do Not Handle lamps soon after the light has been turned off.
9. Do Not use the fixture near heating appliances/elements or in humid conditions.
10. LED CANOPY LIGHT must be operated within an ambient temperature range of -30°C (-22°F) and 40°C (104°F)
11. LED CANOPY LIGHT is Not suitable for use in damp locations.
12. LED CANOPY LIGHT is Not intended for use with emergency exits.

Packing




1

2

Onward™

T E C H I N C

ONWARD TECH INC.

 Address: 14243 Don Julian Road.
City of Industry CA 91746 USA

 Tel : +1 626-820-9300

 Fax : +1 626-820-9299

 Email : info@onward-tech.com

 Web : www.onward-tech.com

Sunny Opto-electronics Co., Ltd

 Web : www.sunnyled.net.cn

