

LED Panel light

Onward ™
TECH INC

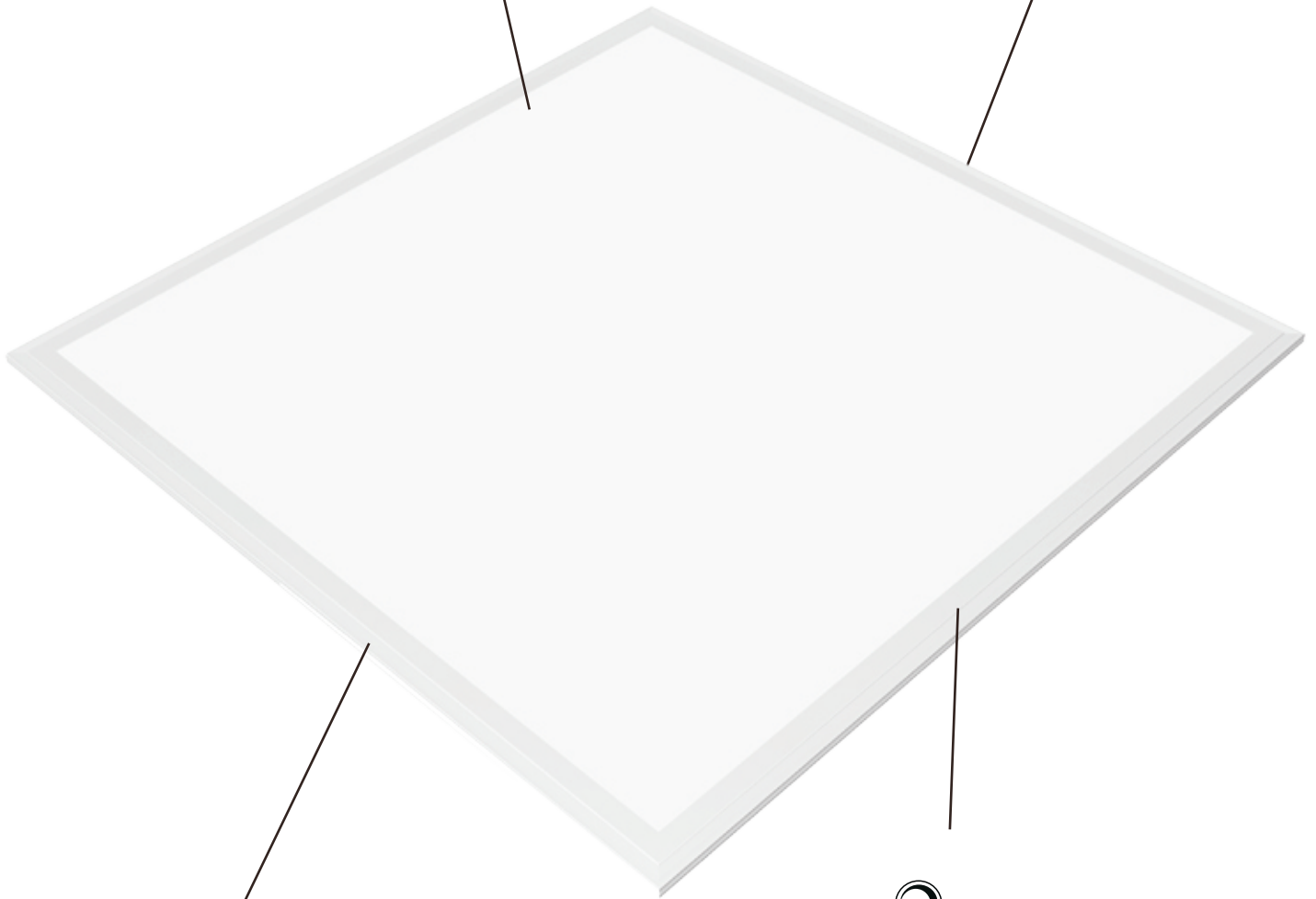
WeledPower[®]

Original
design

VAC VAC
100-277 277-480



5 Years
warranty



130
Lm/W

LM-80

CRI
>80

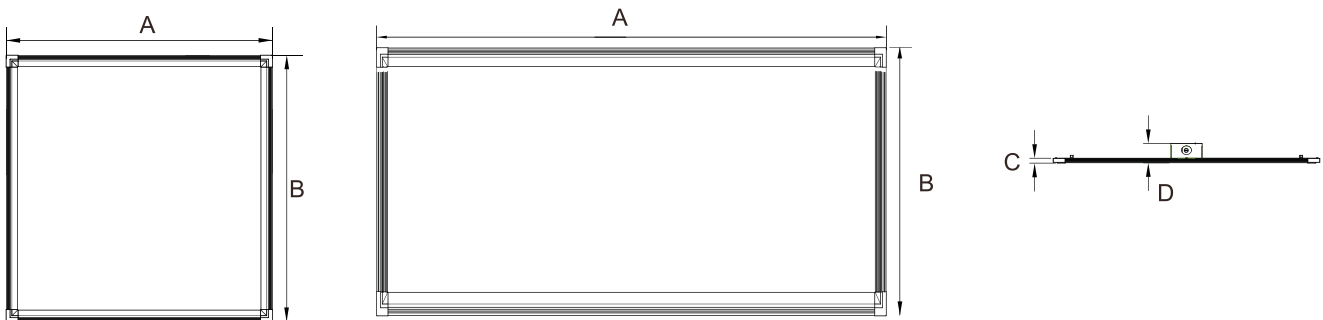
PF
≥0.95



Product Features

1. Designed to create uniform light distribution without hot spots, flicker, glare.
2. AL 6063 aluminum frame and PMMA LGP with sophisticated craftsmanship provides magnificent long-lasting light output and elegant appearance;
3. 160lm/w LM-80-rated 2835 SMD provides high efficacy to the panel light,
4. Power supply efficiency >92%, PF>0.95, Isolated Lifud power supply.
5. Approved by cETL No. 5001965, DLC listed, eligible for rebates;
6. 5-Year Warranty.

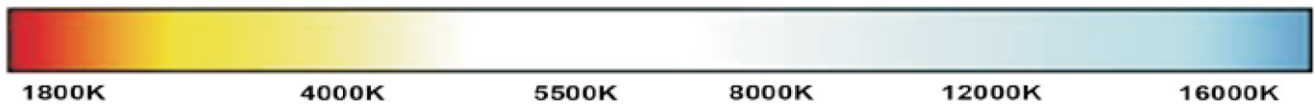
Product Dimension



Size	A (inch)(mm)	B (inch)(mm)	C (inch)(mm)	D (inch)(mm)
2x2 FT	23.74" 603mm	23.74" 603mm	0.35" 9mm	1.69" 43mm
1x4 FT	47.76" 1213mm	11.81" 300mm	0.35" 9mm	1.69" 43mm
2x4 FT	47.76" 1213mm	23.74" 603mm	0.35" 9mm	1.69" 43mm

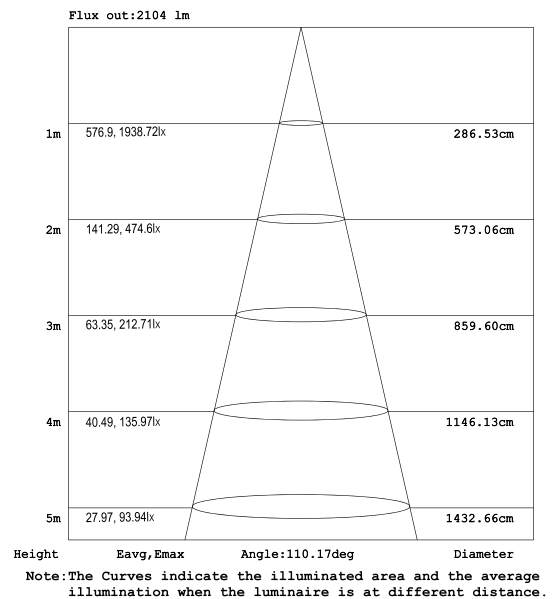
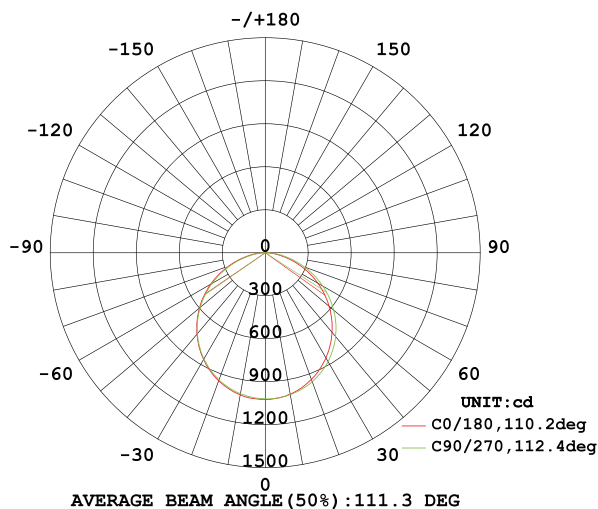
Specification

Model Number	Size	Power	Input Voltage	Dimmable	Input Current	PF	Light Efficacy	Ra	CCT
OW-US-30W-66-28-TG-01	2X2'	30W	AC100-277V	1-10V	0.3A	>0.95	140lm/w	80	3000-6000K
OW-US-40W-66-28-TG-01	2X2'	40W	AC100-277V	1-10V	0.4A	>0.95	140lm/w	80	3000-6000K
OW-US-40W-123-28-TG-09	1X4'	40W	AC100-277V	1-10V	0.4A	>0.95	140lm/w	80	3000-6000K
OW-US-50W-126-28-TG-01	2X4'	50W	AC100-277V	1-10V	0.5A	>0.95	140lm/w	80	3000-6000K
OW-US-72W-126-28-TG-01	2X4'	72W	AC100-277V	1-10V	0.72A	>0.95	140lm/w	80	3000-6000K

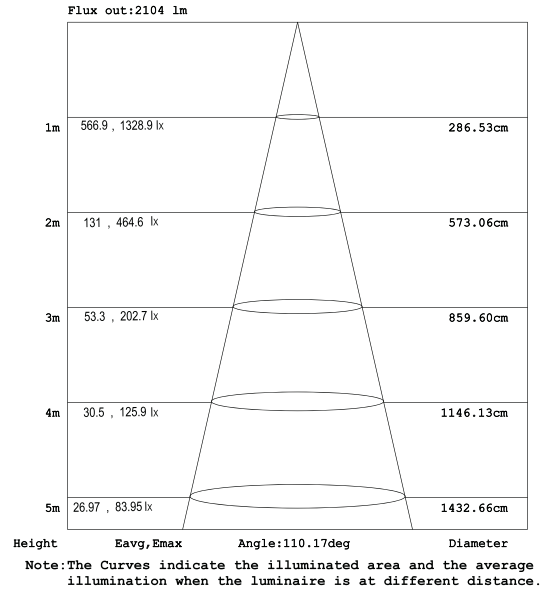
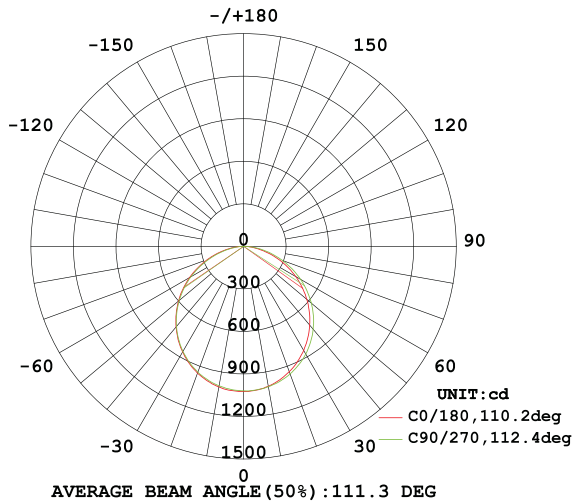


Test Report

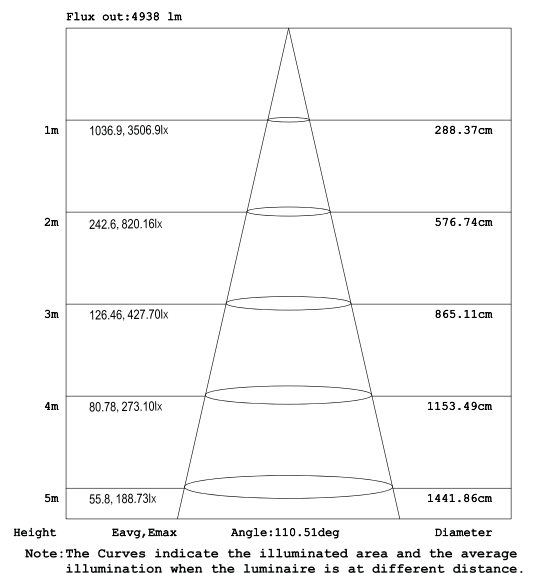
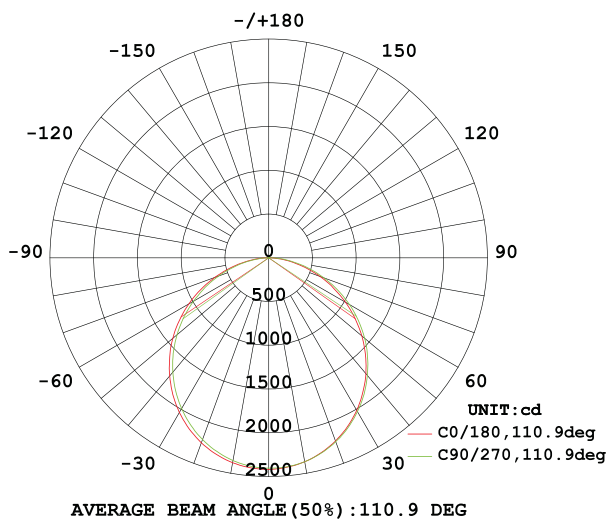
2X2 LUMINOUS INTENSITY DISTRIBUTION DIAGRAM



1X4 LUMINOUS INTENSITY DISTRIBUTION DIAGRAM

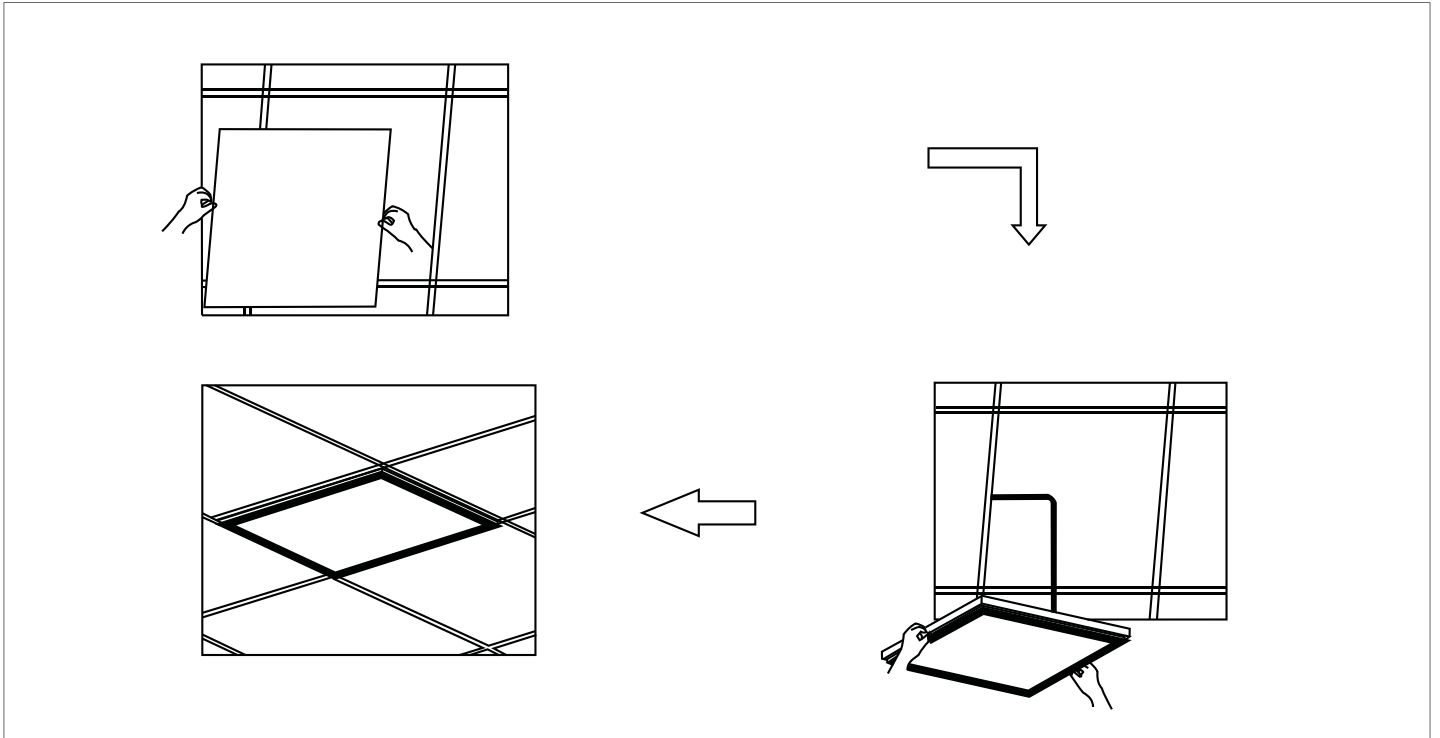


2X4 LUMINOUS INTENSITY DISTRIBUTION DIAGRAM

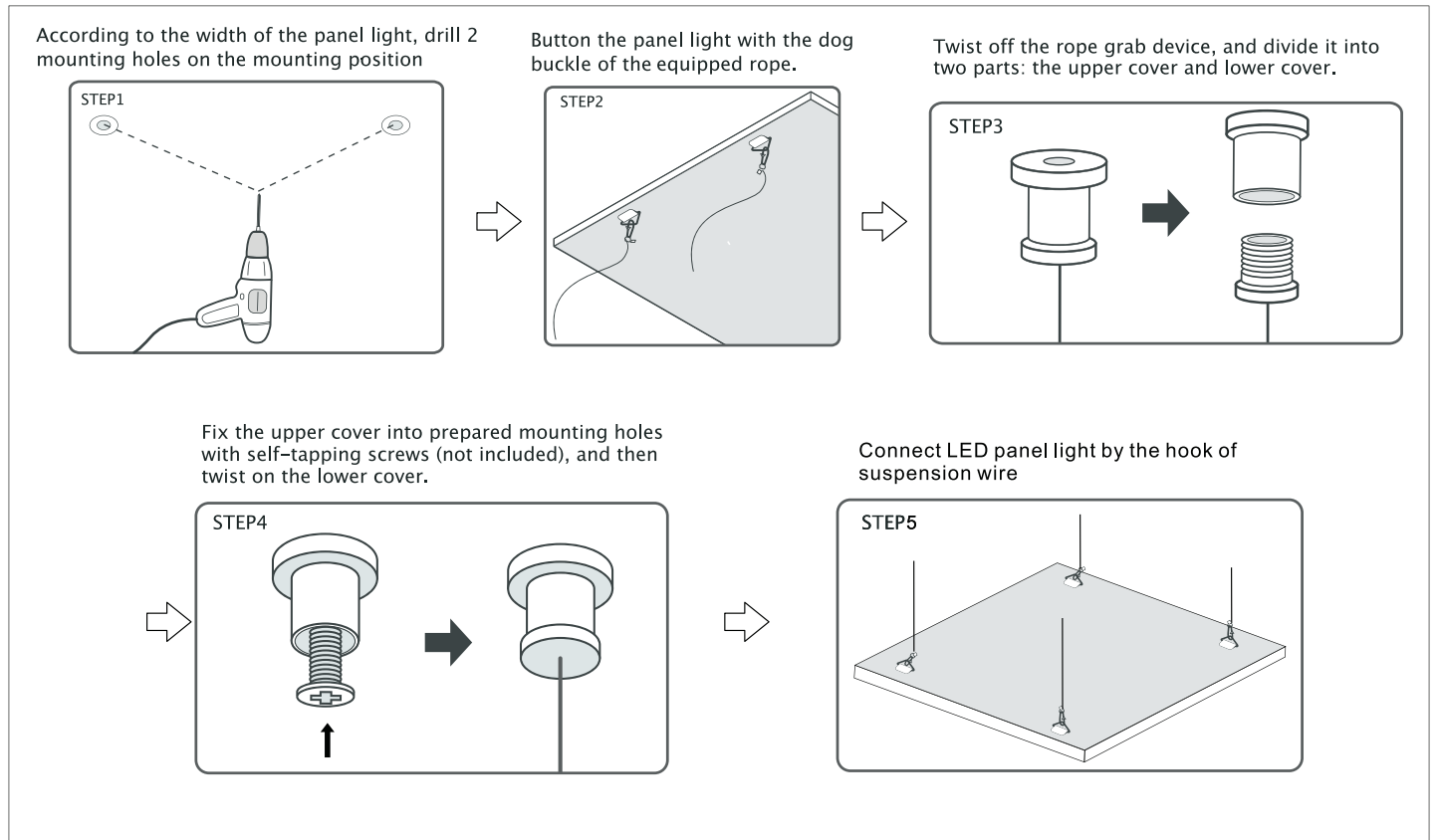


Installation

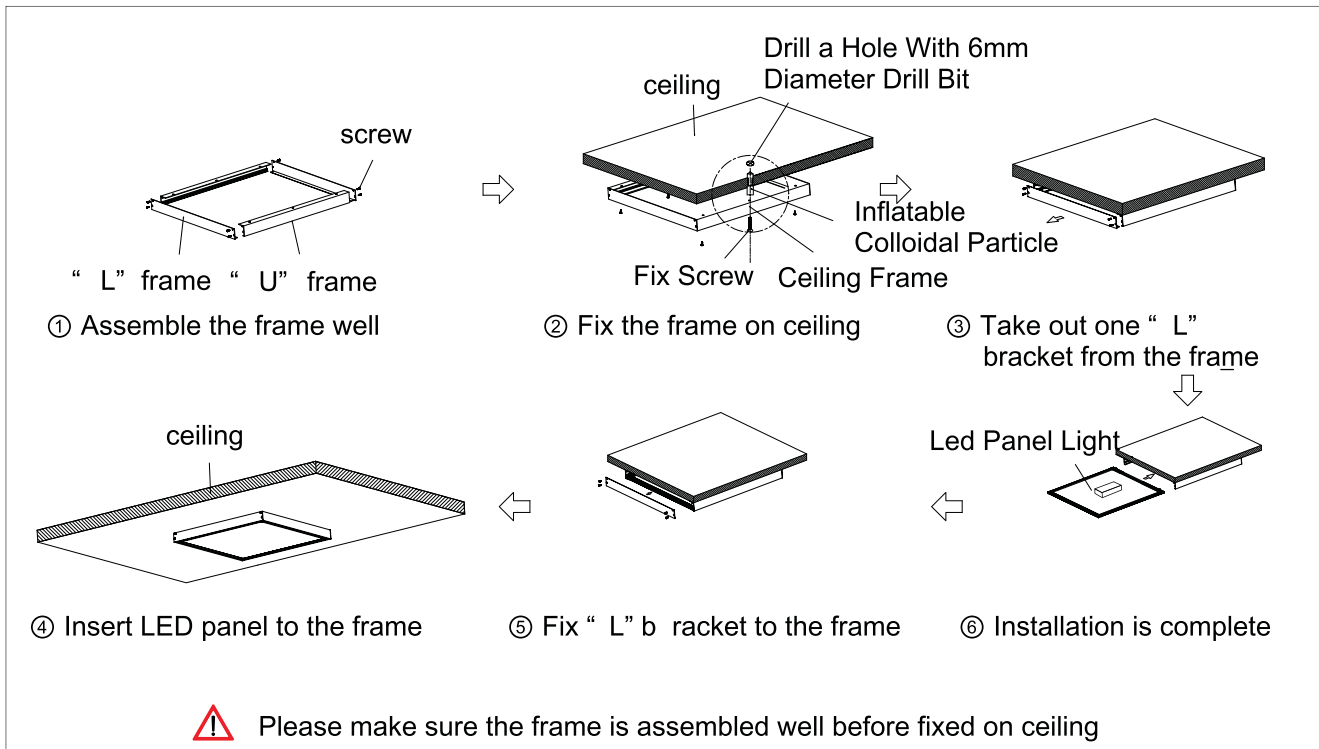
Recessed



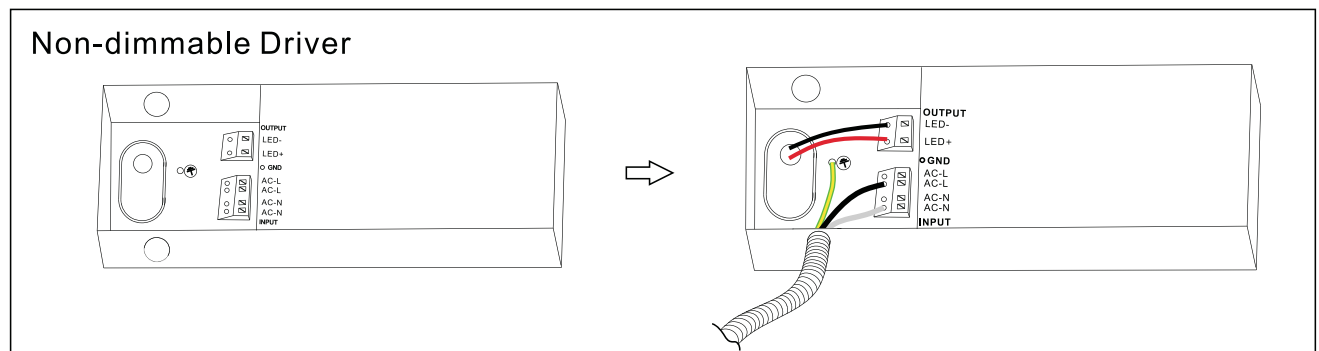
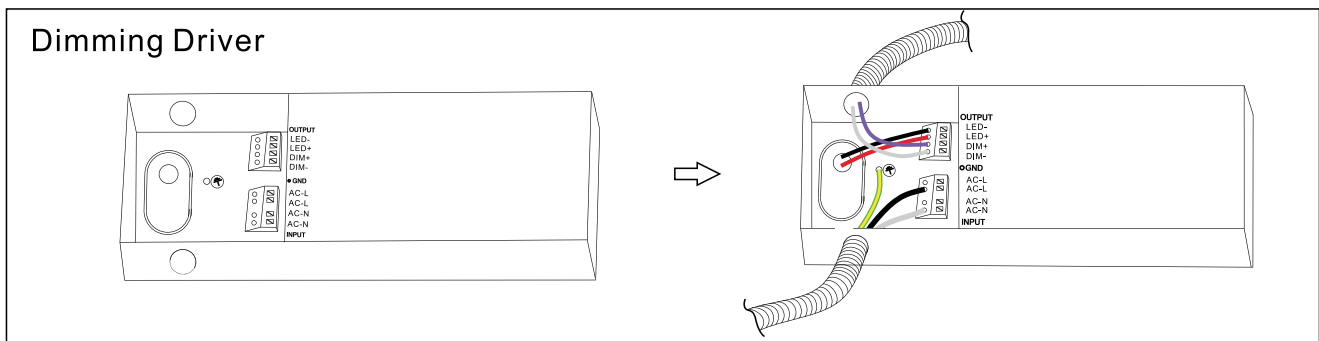
Suspended



Surface Mount



Connection Mode



Emergency LED Driver



RoHS

Specifications:

UL Recognized Factory Installation Only (Indoor and Damp)	Universal Input Voltage 100-277Vac,50/60Hz
Output Voltage 30-42Vdc	Operating Ambient Temp Range 0°C to+ 40°C (32°F to 104°F)
Full Warranty 5 Years	Dimensions 11.77"x3.81"x1.41" (299mmx97mmx36mm)
Weigh 2.75lbs(1.25kg)	

AC Operation:

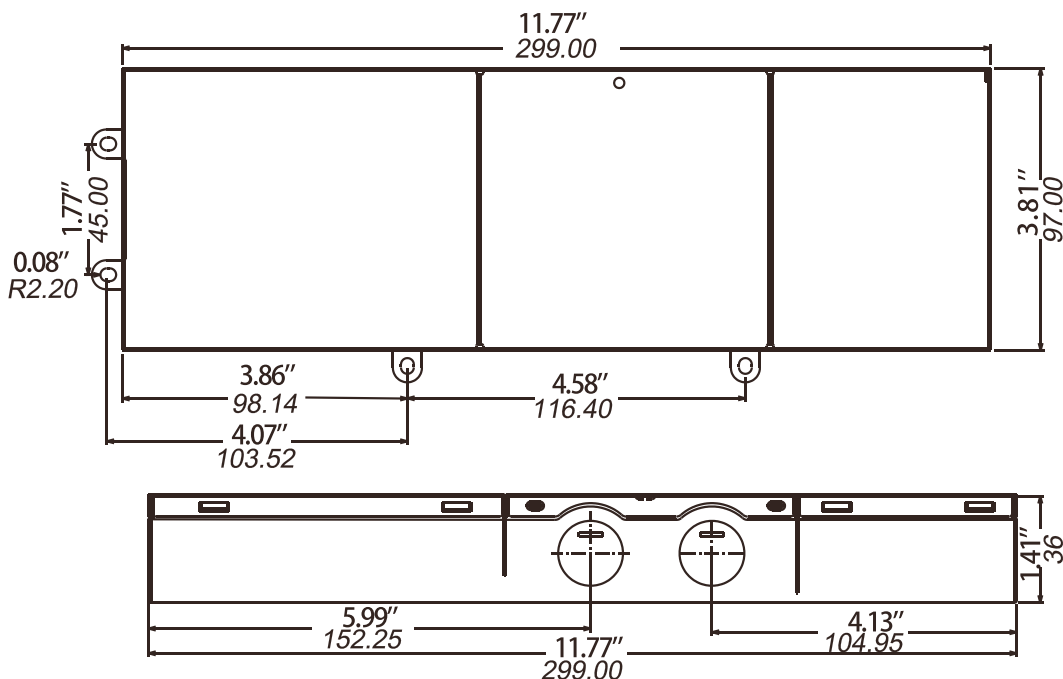
Output Current (Optional) 800-1750mA	AC Input Current 0.9A max.
Maximum Input Power 75W max.	Power Factor@Max Load >0.90
Surge Protection (Combi-Wave,KV)1.0KV	Dimming 0-10Vdc,PWM

Emergency Operation:

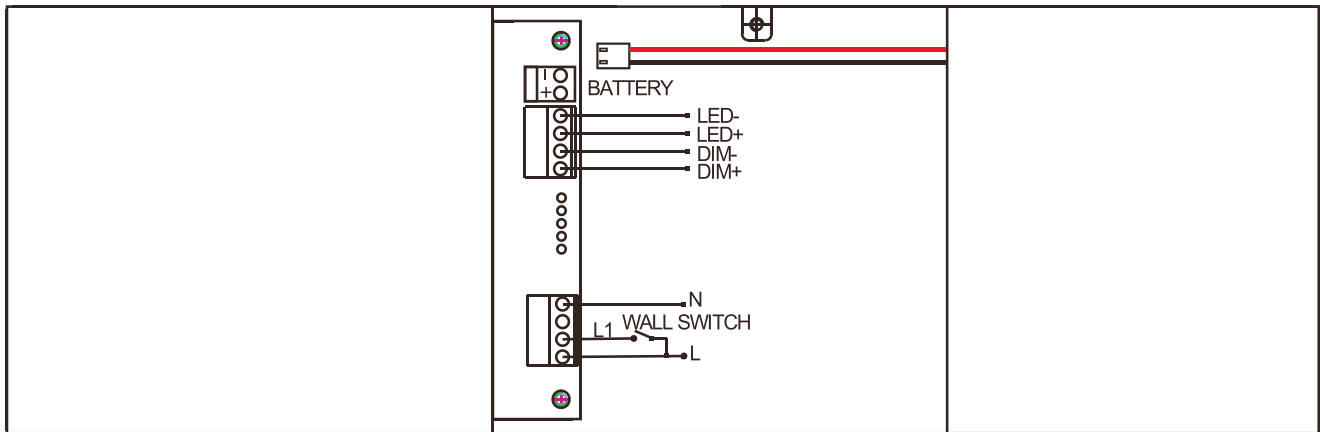
AC Input Current	AC Input Power Rating				
90mA Maximum(Charging Only)	6.0W Maximum(Charging Only)				
Recharge Time	Battery				
≥ 24 Hours	lithium battery				
Battery Charging Current	Output Current t(Optional)				
250mA max.	270-550mA				
IlluminationTime	Test Switch Charging Indicator Light				
90 minutes Emergency	Illuminated Test Switch				
Output Power (Emergency) Driver and Emergency Correspond Form					
AC Input Power	30W	40W	50W	60W	75W
Emergency Power	10Wmax.	12Wmax.	15Wmax.	18Wmax.	20Wmax.

Dimensions:

Case-11.77"x3.81"x1.41" (299mmx97mmx36mm)



Wiring Diagram:

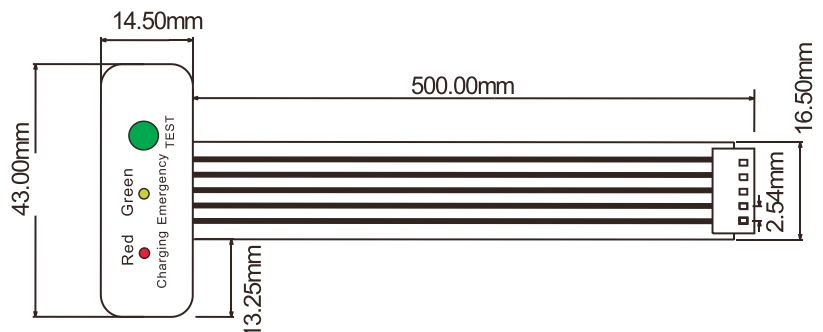


NOTE : WALL SWITCH : Control switch light

- 1 . The power supply cannot insert the battery packet into the mainboard connector before installation. It has been installed to allow the battery package to be inserted into the mainboard connector before the AC voltage is completed.
- 2 . Test accessory leads-observe proper polarity wiring.

Display Status:

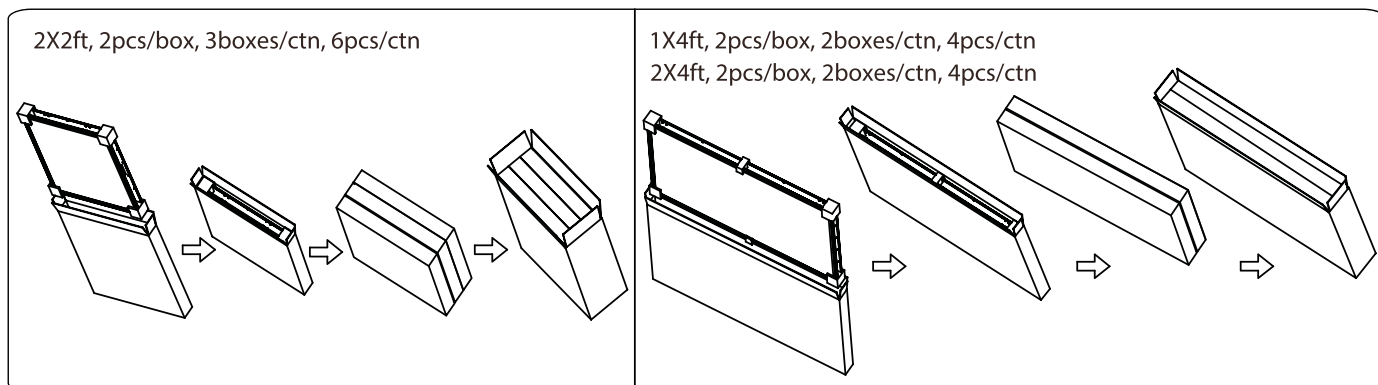
Operating Condition	Red	Green
Charging	ON	OFF
Emergency	OFF	ON



Packing /weight

Size	Outer Carton Size (LxWxH)	Qty/Carton (pcs)	Net weight (kg)(lbs)	Gross weight (kg)(lbs)	20GP (QTY)	40GP (QTY)
2x2FT	(650*260*653mm) (25.59"x10.24"x25.71")	6pcs	3.5kg 7.72lbs	23.5kg 52.47lbs	1440	3360
1X4FT	(1260*176*350mm) (49.61"x6.93"x13.78")	4pcs	3.4kg 7.50lbs	15.0kg 33.07lbs	1300	3160
2X4FT	(1260*176*653mm) (49.61"x6.93"x25.71")	4pcs	6.7kg 14.77lbs	29.0kg 63.93lbs	640	1728

Packing




Note

- 1.The installation and maintenance must be completed by electricians or professionals.
- 2.Please cut off the power before installation and maintenance.
- 3.The fixture is not allowed to be covered by thermally insulating material.
4. Please keep away from the corrosive substance, and keep the fixture dry and clean.
5. Working temperature:-4°F~104°F, storage temperature:-22°F~140°F.

Onward™

T E C H I N C

ONWARD TECH INC.

 Address: 14243 Don Julian Road.
City of Industry CA 91746 USA

 Tel : +1 626-820-9300

 Fax : +1 626-820-9299

 Email : info@onward-tech.com

 Web : www.onward-tech.com

Sunny Opto-electronics Co., Ltd

 Web : www.sunnyled.net.cn

