



UFO Highbay Series

Onward ™
TECH INC

Product Appearance



Motion Sensor Type



Surface Milky PC Cover Type





UFO Series Highbay

100W / 160W / 200W / 240W

IP 65

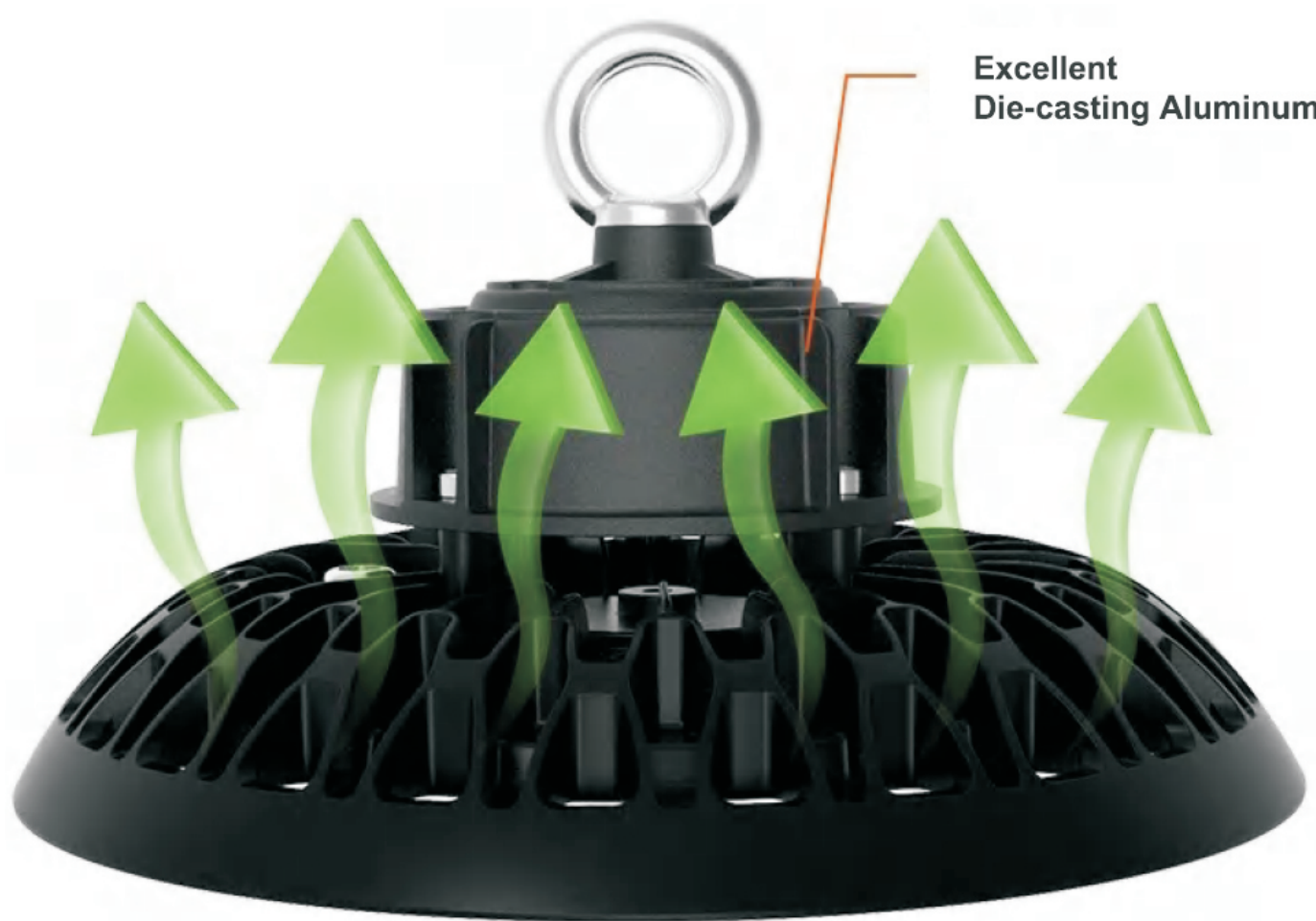
1-10V dimmable driver

Lumen efficiency : 150 Lm / w



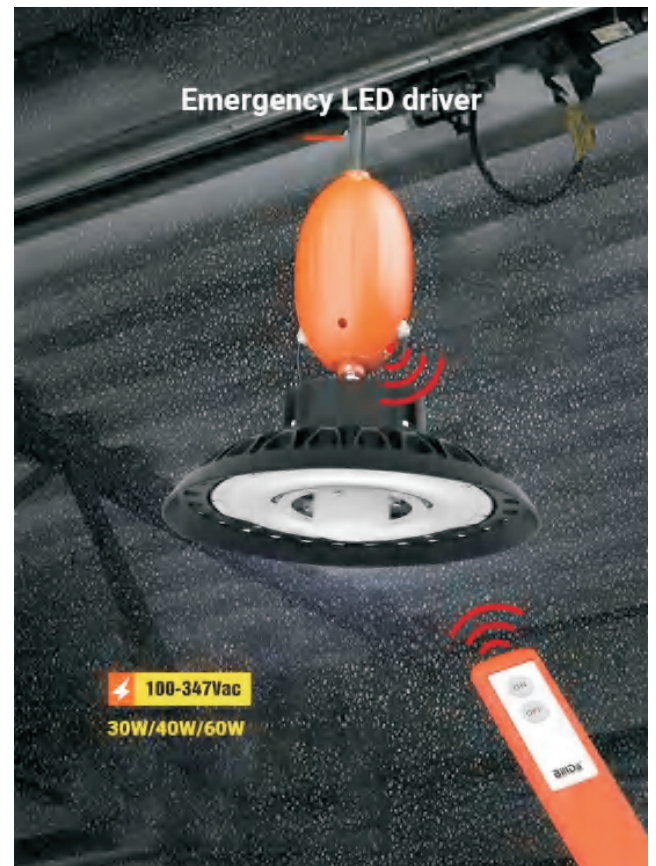
Production Image





Good Heat Dissipation

Emergency Driver



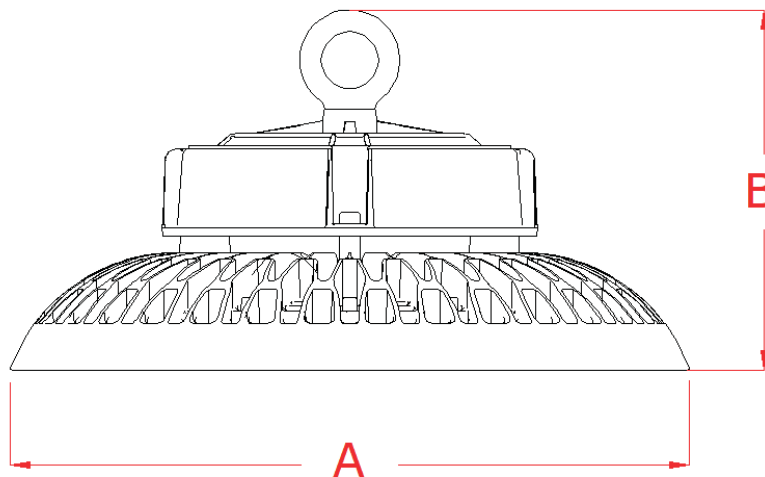
Dimming by Remote controller



Product Features

- 1 . Innovative unique structure and design.
- 2 . Die-casting radiator with excellent heat dissipation , overall powder-coated and through 2000hrs salt spray testing.
- 3 . With high transmittance of PC lens , PC cover and glass to take the option light distribution optional.
- 4 . Adopting 4mm toughened glass, no need external protective cover ,high strength and high transmittance over 93%.
- 5 . Using the appropriate water-proof connector and silicone ring to seal protecting level reaching IP65, suitable for different kinds of outdoor harsh working environment.

Product Dimension



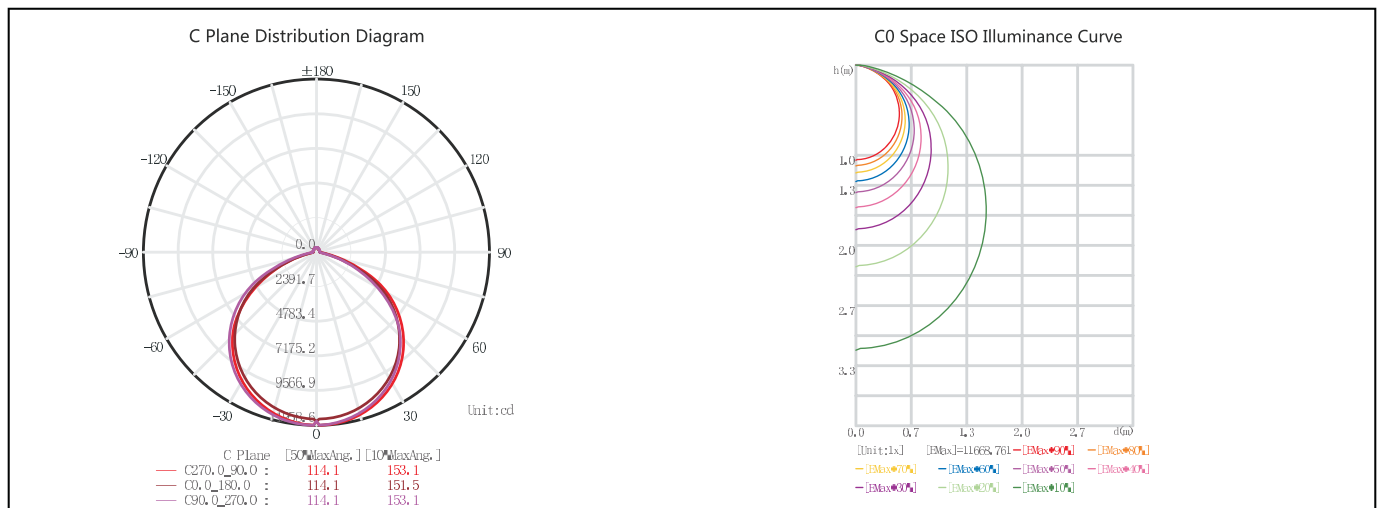
Model Number	OW-US-UFO-Y1-100	OW-US-UFO-Y2-160	OW-US-UFO-Y2-200	OW-US-UFO-Y2-240
A (inch)(mm)	(9.84")Φ250	(11.77")Φ299	(13.58")Φ345	(13.58")Φ345
B (inch)(mm)	(7.01")178	(7.13")181	(7.20")183	(7.72")196

Specification

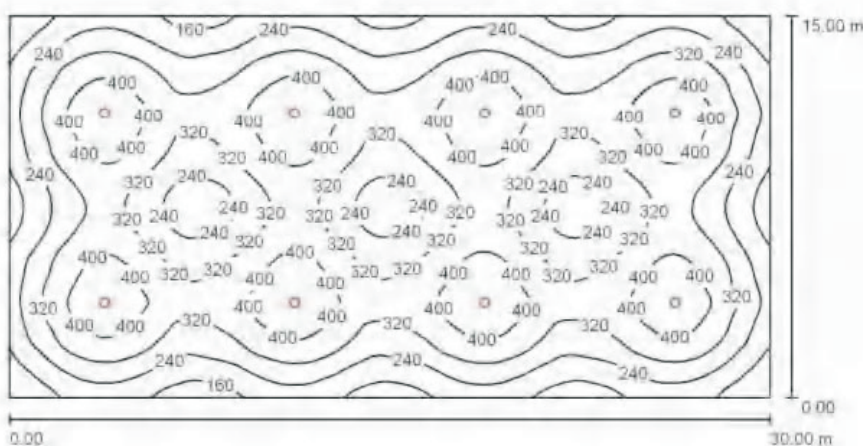
Model Number	Power	Input Voltage	IP Rating	Input Current	PF	Light Efficacy	CCT
OW-UFO-Y1-100	100W	AC100-277V	IP 65	1.0A	>0.9	150lm/w	4000-6500K
OW-UFO-Y2-160	160W	AC100-277V	IP 65	1.6A	>0.9	150lm/w	4000-6500K
OW-UFO-Y2-200	200W	AC100-277V	IP 65	2.0A	>0.9	150lm/w	4000-6500K
OW-UFO-Y2-240	240W	AC100-277V	IP 65	2.4A	>0.9	150lm/w	4000-6500K

Test Report

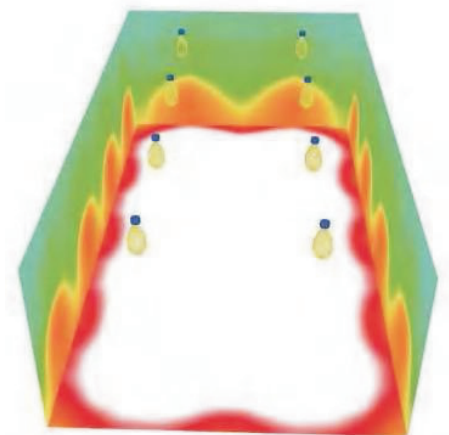
Luminous Intensity Distribution Diagram



Simulation chart



Line graph



Thermal Imaging

Light up your world with Onward

www.onward-tech.com

Function of each cap

- Photocell sensor+ microwave sensor cap
- Customer can set it according to actual needs with a remote.

ON/OFF Press the "On/off" button, the light keeps permanently on or off. Press "Auto Mode" , or " M " buttons to quit from this mode.

Auto Mode Press "Auto Mode" button, the sensor starts to work and all settings remain the same before the light gets switched on/off.

Detection area Press to define detection area 100%/75%/50%/20%.

Invalid function (AUTO, ON, OFF, M)

Daylight threshold Press to define daylight level 5Lux/25Lux /50Lux/100Lux/300Lux/ 600Lux .
Note: Disable means light will be turned on once sensor detects movement, regardless of the ambient lux.

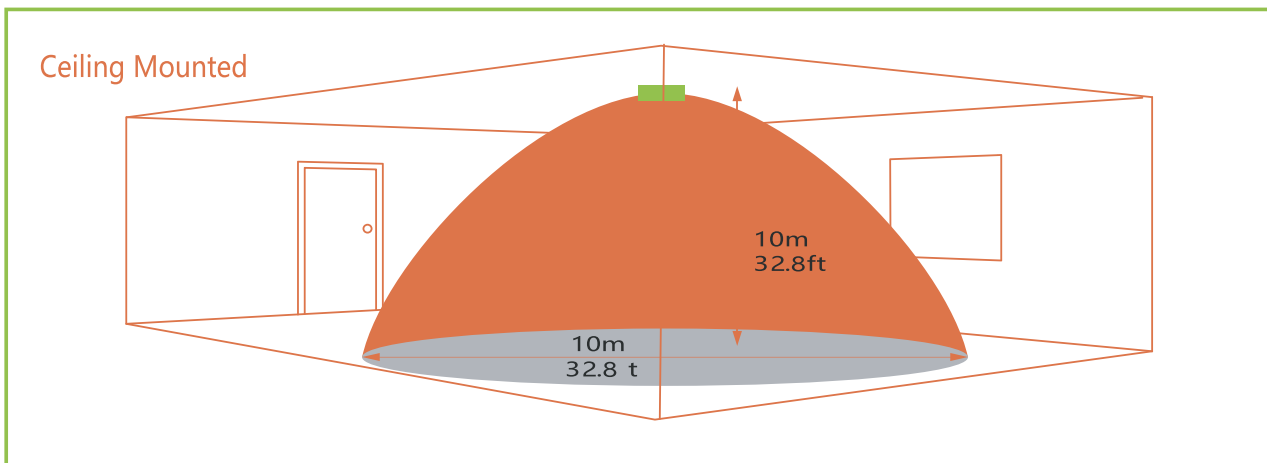
Hold time Press to define holdtime 2s/30s/2min/5min / 15min/30min
Light control range manual adjustment:

Press to define stand-by dimming level 10%/20%/50%/ 0% .

Stand-by period (Press to define stand-by period 0s/10s/15min/30min/+∞.)

Scene mode:
Corridor mode: Light control value=50Lux,Delay time=30seconds,Standby light=15%, Induction range=75%,Standby time=∞
Office mode: Light control value =300Lux,Delay time=5 minutes,Standby light=30%, Induction range=100%,Standby time=15 minutes
Warehouse mode: Light control value=300Lux,Delay time=2 minutes,Standby light=15%, Induction range=100%,Standby time=30 minutes
Reset: By pressing this key, the lamp is on for 2 seconds when the sensor is triggered and uncontrolled by Lux.

● Detection Patterns



● **Technical data**

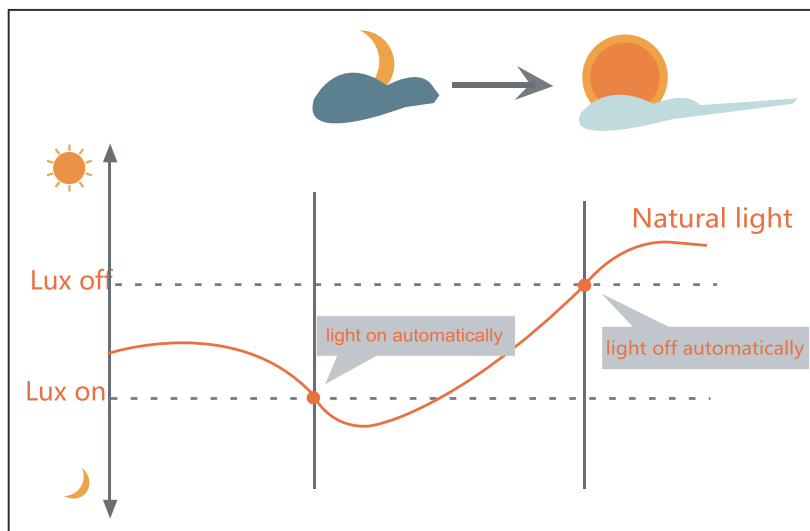
Operating voltage	12VDC
Operating current	20mA±5%
Output	DIM0-10V
Stand-by power	<0.5W
Detection area	20%/50%/75%/100%
Hold time	2s/30s/2min//5min/15min/30min
Daylight threshold	5Lux/25Lux/50Lux/100Lux/300Lux//600Lux Disable
Stand-by period	10s/15min/30min/+∞
Stand-by dimming level	10%/20%/50%/0%
Microwave frequency	5.8GHz±75MHz
Microwave power	<0.3mW
Mounting height	2 - 10m/ 6.6 -32.8ft
Detection range	Max.10m/ 32.8ft
Operating temperature	-20°C~ +85°C

● **Lux on/off**

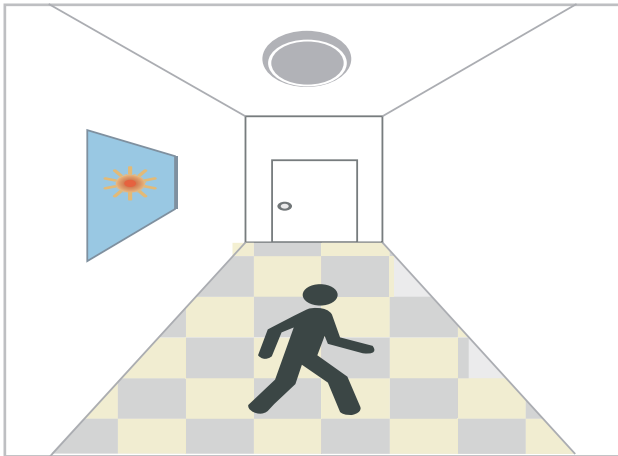
Adopted dual PD technology, it is able to differentiate artificial light brightness from natural light after installed inside the fixture, and automatically turn off light when ambient brightness exceeds preset lux level.

Preconditions to use the Lux-off function:

1. Standby period is +∞;
2. Standby dimming level is on 10%, or 50%;
3. Daylight threshold is on 30Lux, 50Lux, 80Lux or 100Lux.



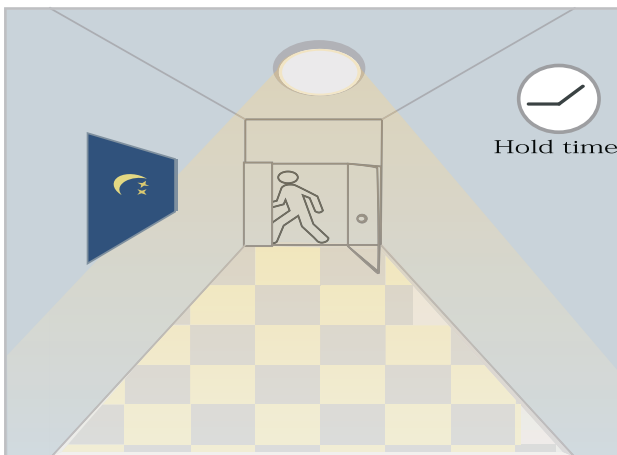
● **Application—Dimmable control/Corridor function**



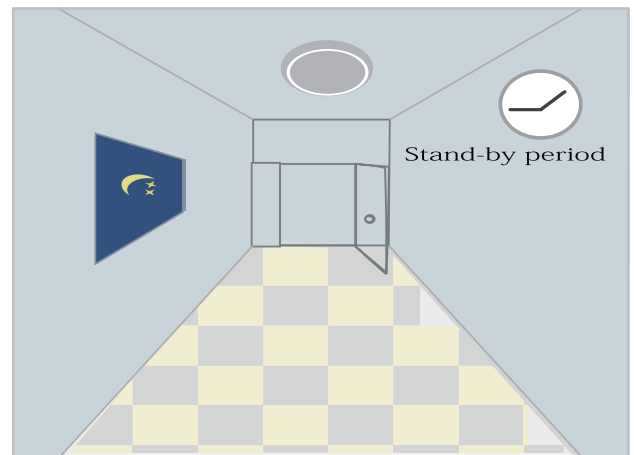
With sufficient daylight, even when motion detected, light remains OFF. After the stand-by period, light OFF. After last detection, the light will be



With insufficient daylight, when motion detected, light ON.

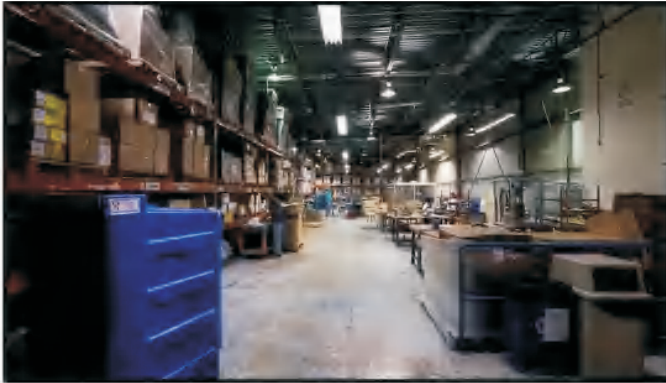


dimmed down to the stand-by dimming level(10%,20%,30% or 50%) after holdtime.



Light dims to standby level if no motion detected after holdtime.

Customer's Application



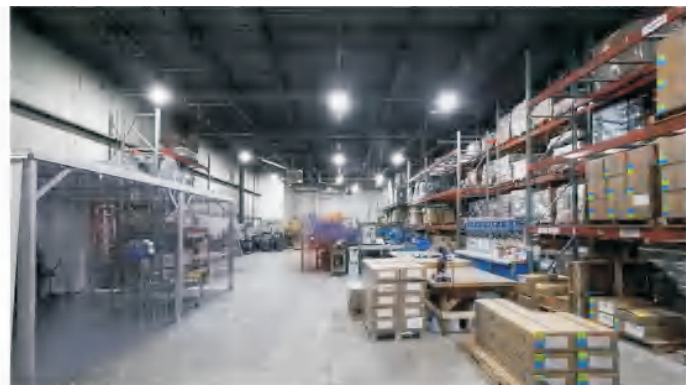
Production Area BEFORE: 14 Metal Halide High Bays @ 460W each & 14 8' T12 Shop Lights @ 114.2W each = 8,038.8 total watts - and the Metal Halides take 20 minutes + to come to full brightness!
Note the green tinged, heavily depreciated Metal Halides!



Production Area AFTER: 13 LED High Bays @ 160W each = 2,080 total watts = 74% Energy Savings, a much cleaner appearance, a better, more accurate color temperature, very even lighting - 55 to 65 footcandles everywhere, instant ON, and no heat or humming or flickering!

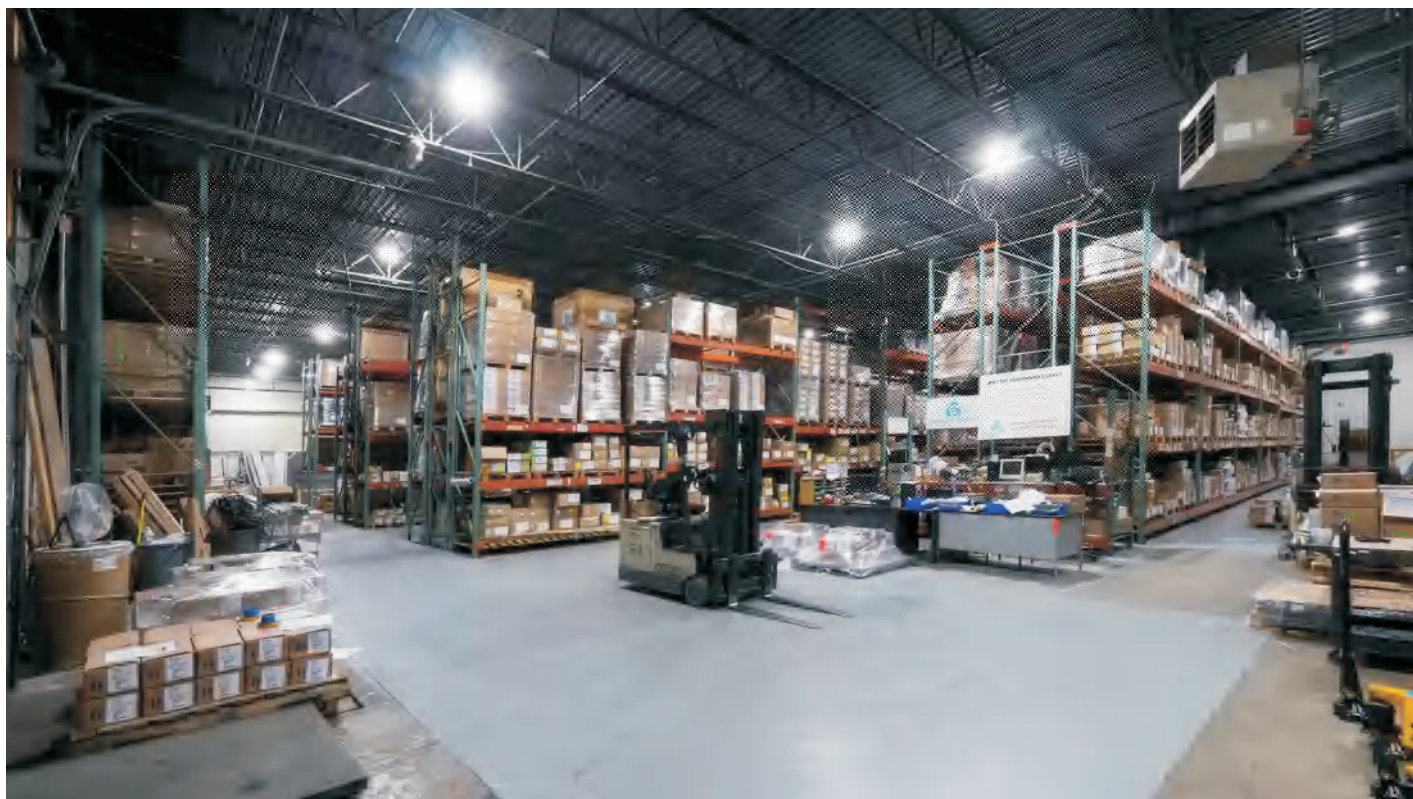


BEFORE: Production Area - 14 460W Metal Halide High Bays and 14 120W T12 8' Shop Lights cluttering up the space. = 8,120 Total Watts and very poor, uneven lighting.



AFTER: 13 160W LED High Bays = 2,080 Total Watts = 74.4% Energy Savings and Vastly Superior Illumination. These provide a very even 55 to 65 footcandles everywhere. Instant ON - and a much cleaner 'look'!

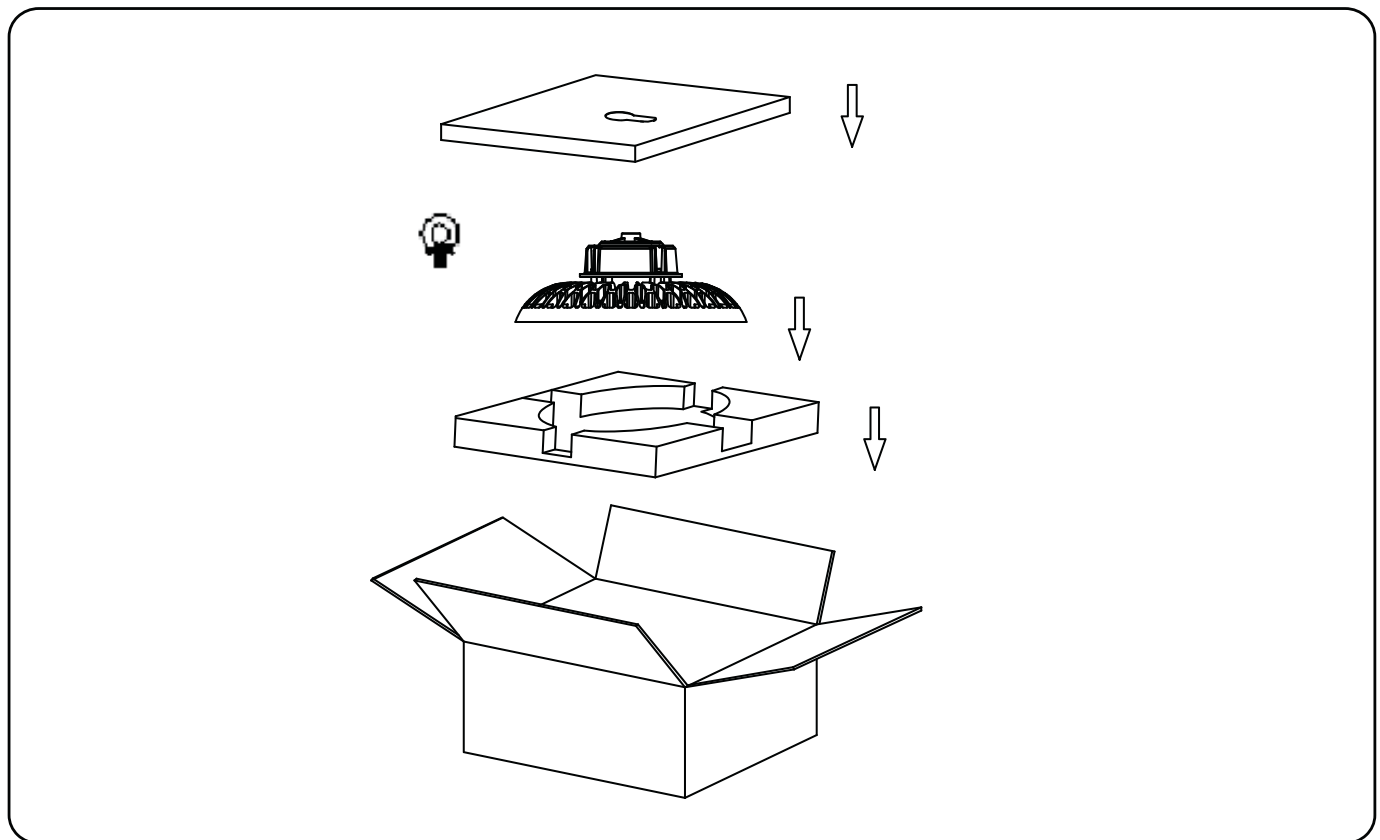
Customer's Application



Packing /weight

Size	Outer Carton Size (LxWxH)	Qty/Carton (pcs)	Net weight (kg)(lbs)	Gross weight (kg)(lbs)	20GP (QTY)	40GP (QTY)
2x2FT	(650*260*653mm) (25.59"x10.24"x25.71")	6pcs	3.5kg 7.72lbs	23.5kg 52.47lbs	1440	3360
1X4FT	(1260*176*350mm) (49.61"x6.93"x13.78")	4pcs	3.4kg 7.50lbs	15.0kg 33.07lbs	1300	3160
2X4FT	(1260*176*653mm) (49.61"x6.93"x25.71")	4pcs	6.7kg 14.77lbs	29.0kg 63.93lbs	640	1728


Packing



OnwardTM

T E C H I N C

ONWARD TECH INC.

 Address: 14243 Don Julian Road.
City of Industry CA 91746 USA

 Tel : +1 626-820-9300

 Fax : +1 626-820-9299

 Email : info@onward-tech.com

 Web : www.onward-tech.com

Sunny Opto-electronics Co., Ltd

 Web : www.sunnyled.net.cn

