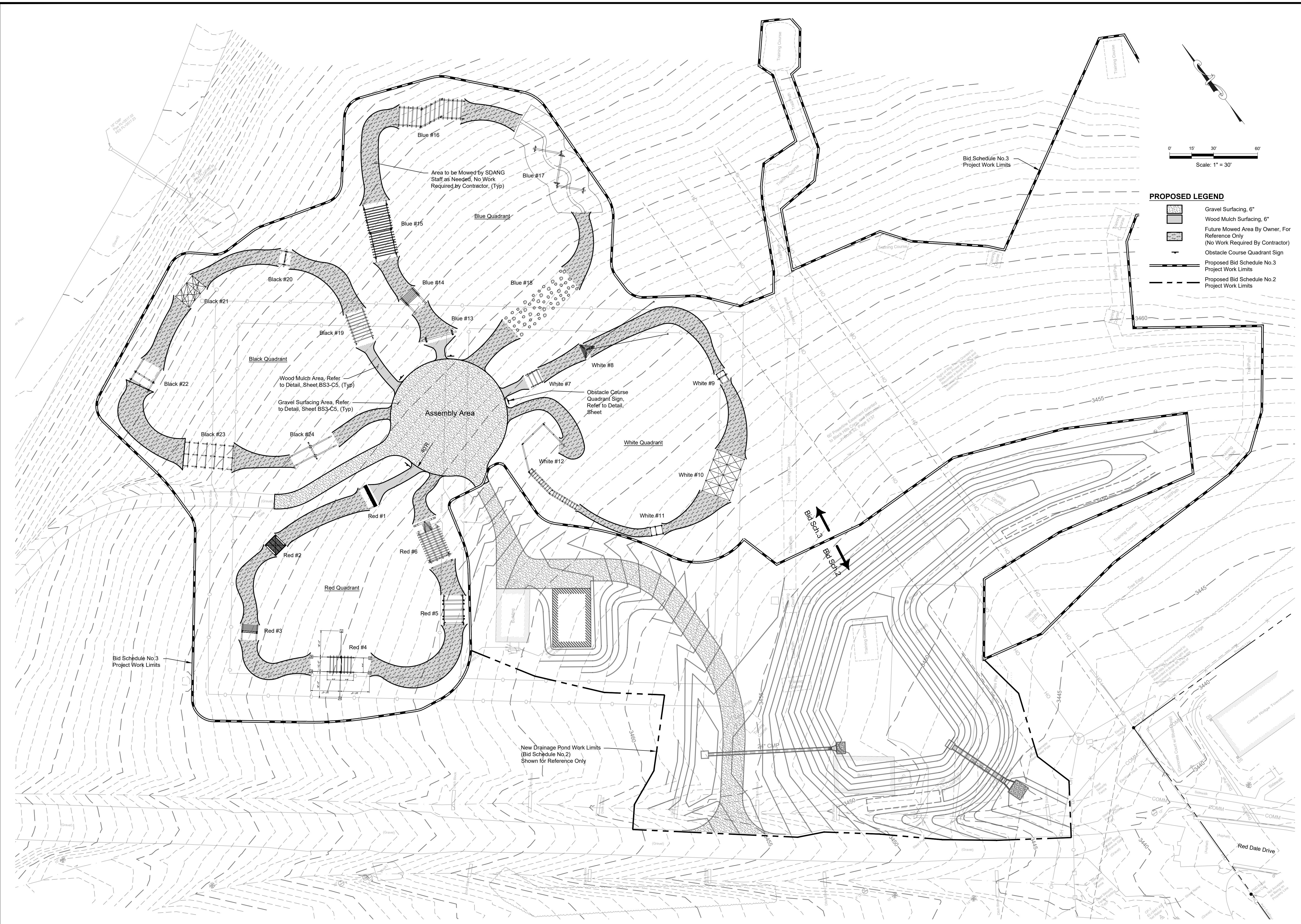


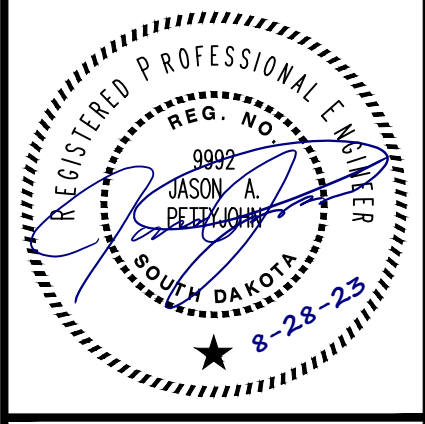
Z:\221217\00 Dept of Military-Correl Drainage - Red Dale Drive\CAD\Plan Sheets\Training Course\221217 Plan.dwg - BS3-C4 Site Plan - Wednesday, August 30, 2023 3:26:19 PM



PROPOSED LEGEND

- Gravel Surfacing, 6"
- Wood Mulch Surfacing, 6"
- Future Mowed Area By Owner, For Reference Only (No Work Required By Contractor)
- Obstacle Course Quadrant Sign
- Proposed Bid Schedule No. 3 Project Work Limits
- Proposed Bid Schedule No. 2 Project Work Limits

FMG ENGINEERING
 3700 Sturgis Road
 Rapid City, SD 57702
 605.342.4105 • fmgengineering.com

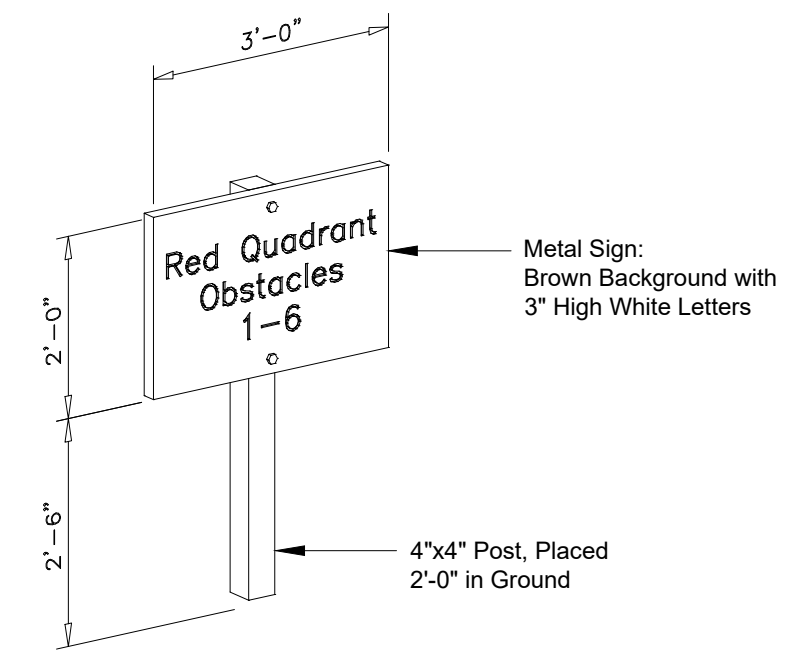


File Number:	221217
Location:	SW Section 4 and SE Section 5, T1N, R7E, B1M
Surveyed By:	EK/DL
Date:	October 2022
Designed By:	JDF/CTD
Drawn By:	JRK/MDS
Checked By:	JDF/JAP

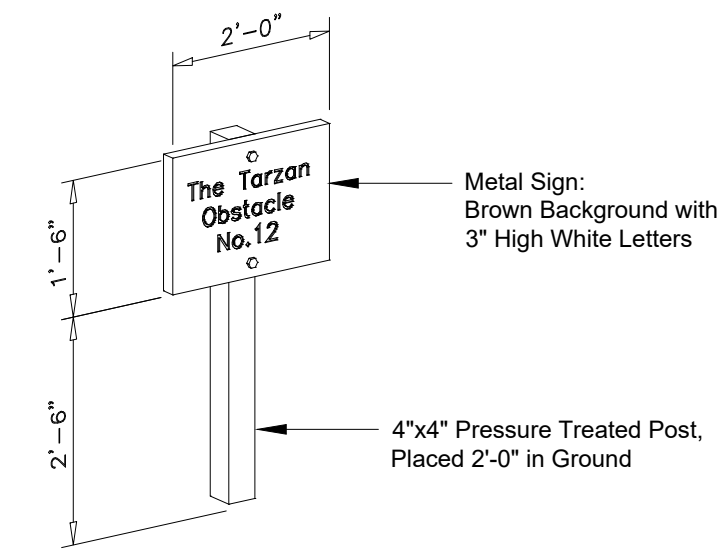
South Dakota Department of the Military
Confidence Course - West Camp Rapid
Bid Schedule No. 3
Rapid City, South Dakota
CFMO#467033

Revision / Date	
Sheet Name:	Site Plan
Sheet Number:	BS3-C4

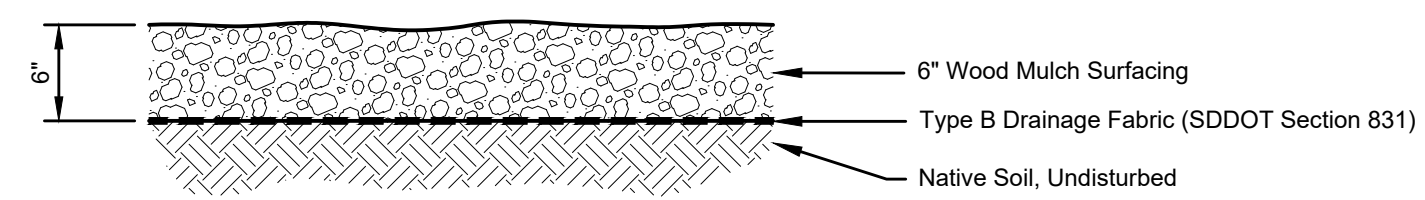
August 2023



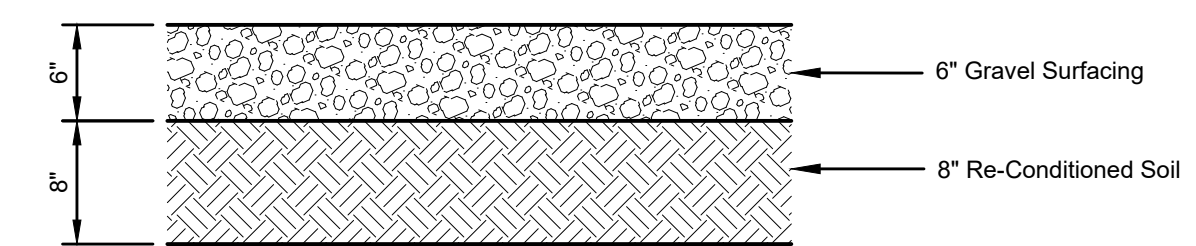
TYPE 'A' SIGN
PLACED AT ENTRANCE OF EACH QUADRANT
 Not To Scale



TYPE 'B' SIGN
PLACED AT EACH OBSTACLE
 Not To Scale

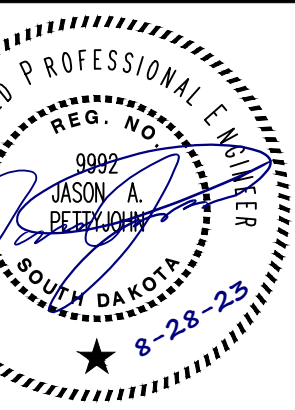


6" WOOD MULCH SURFACING
 Not To Scale



6" GRAVEL SURFACING
 Not To Scale

Z:\221217.00 Dept of Military-Commod Drainage - Red Data Drive\CAD\Plan Sheets\Training Course\221217 Project Details.dwg - BS3-C5 Project Details - Wednesday, August 30, 2023 3:30:13 PM

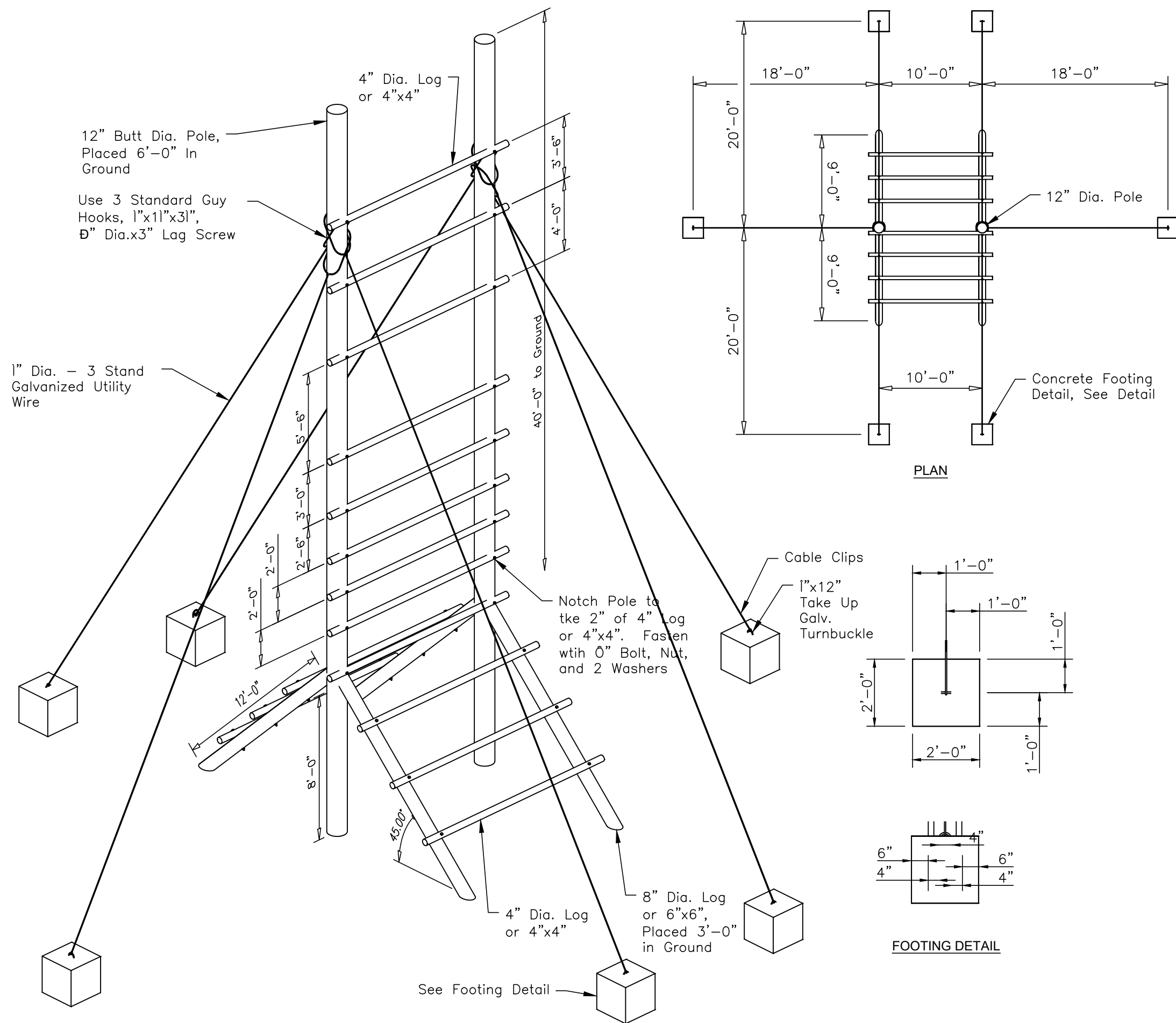


File Number:	221217
Location:	SW Section 4 and SE Section 5, T1N, R7E, BHM
Surveyed By:	EK/DL
Date:	October 2022
Designed By:	JDF/CTD
Drawn By:	JRK/MDS
Checked By:	JDF/JAP

South Dakota Department of the Military
Confidence Course - West Camp Rapid
Bid Schedule No.3
Rapid City, South Dakota
CFMO#467033

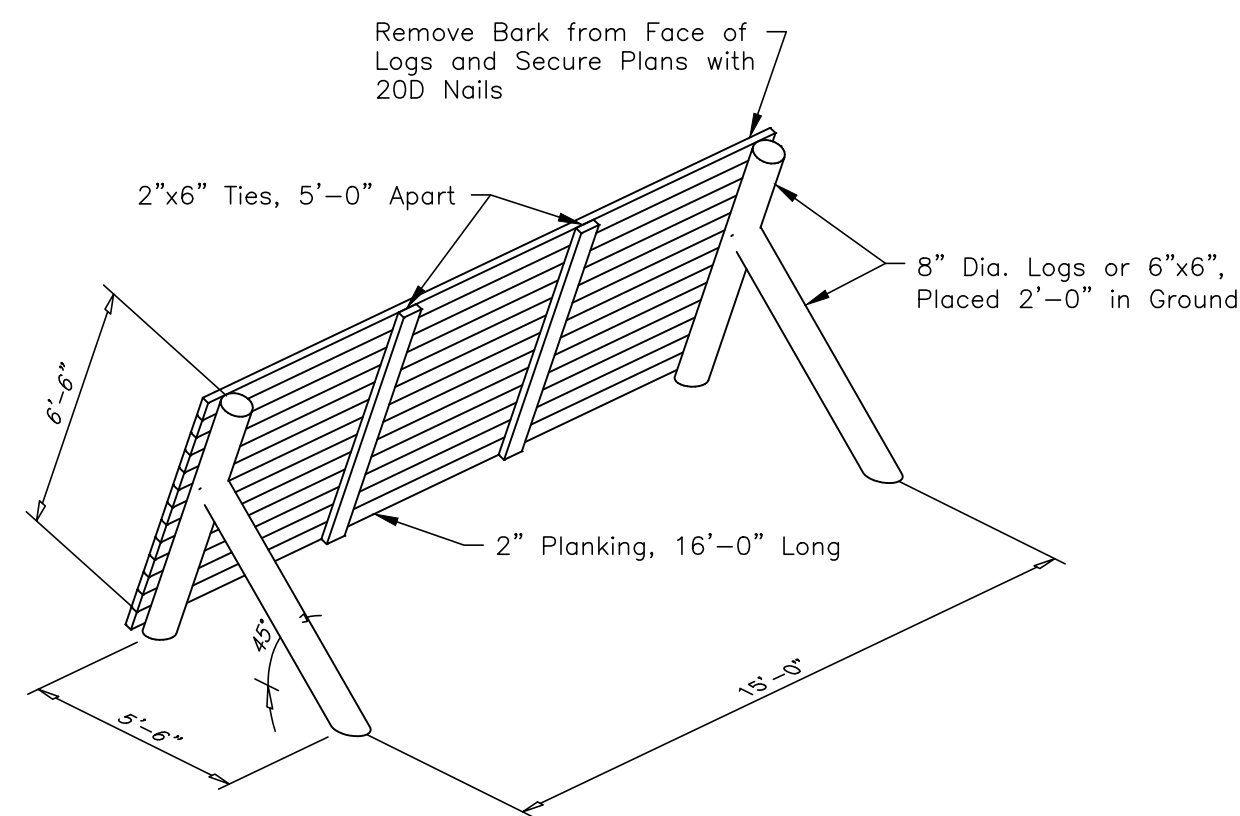
August 2023

Revision / Date
Sheet Name:
Project Details
Sheet Number:
BS3-C5

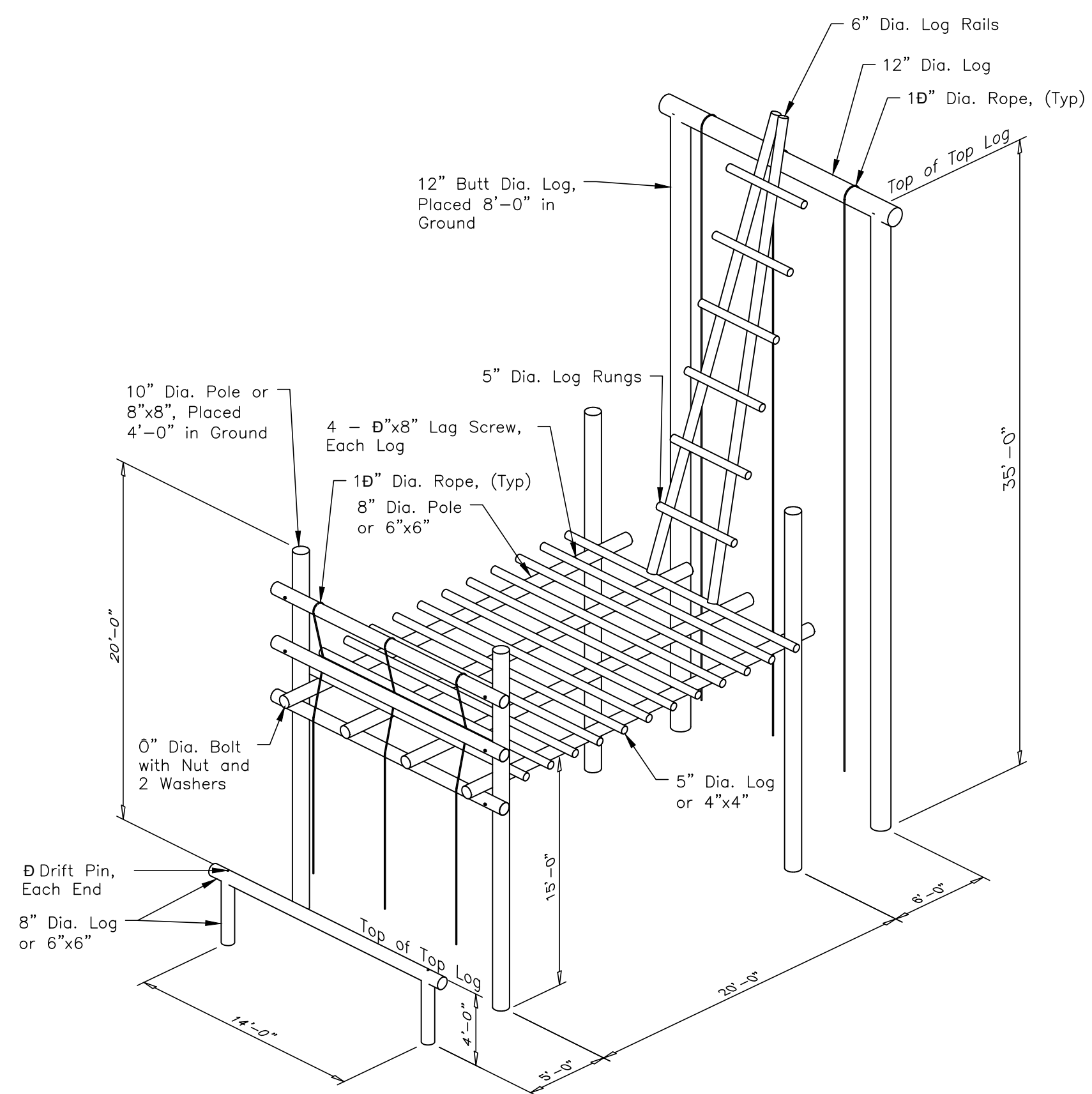


CONFIDENCE CLIMB
Red #4
Not To Scale

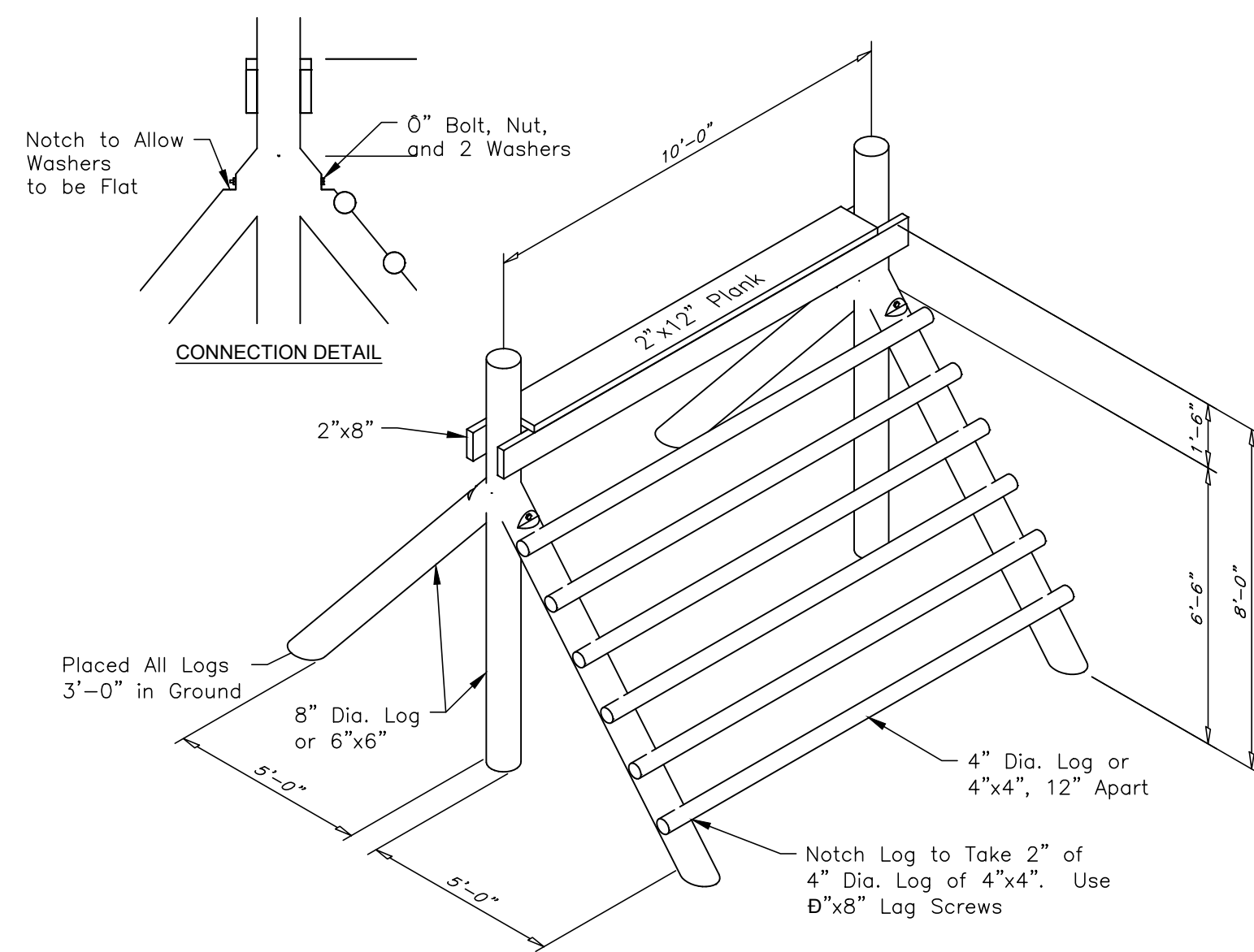
Note:
Maintain consistency throughout training course with the use of either logs/poles or timbers. No creosote allowed.



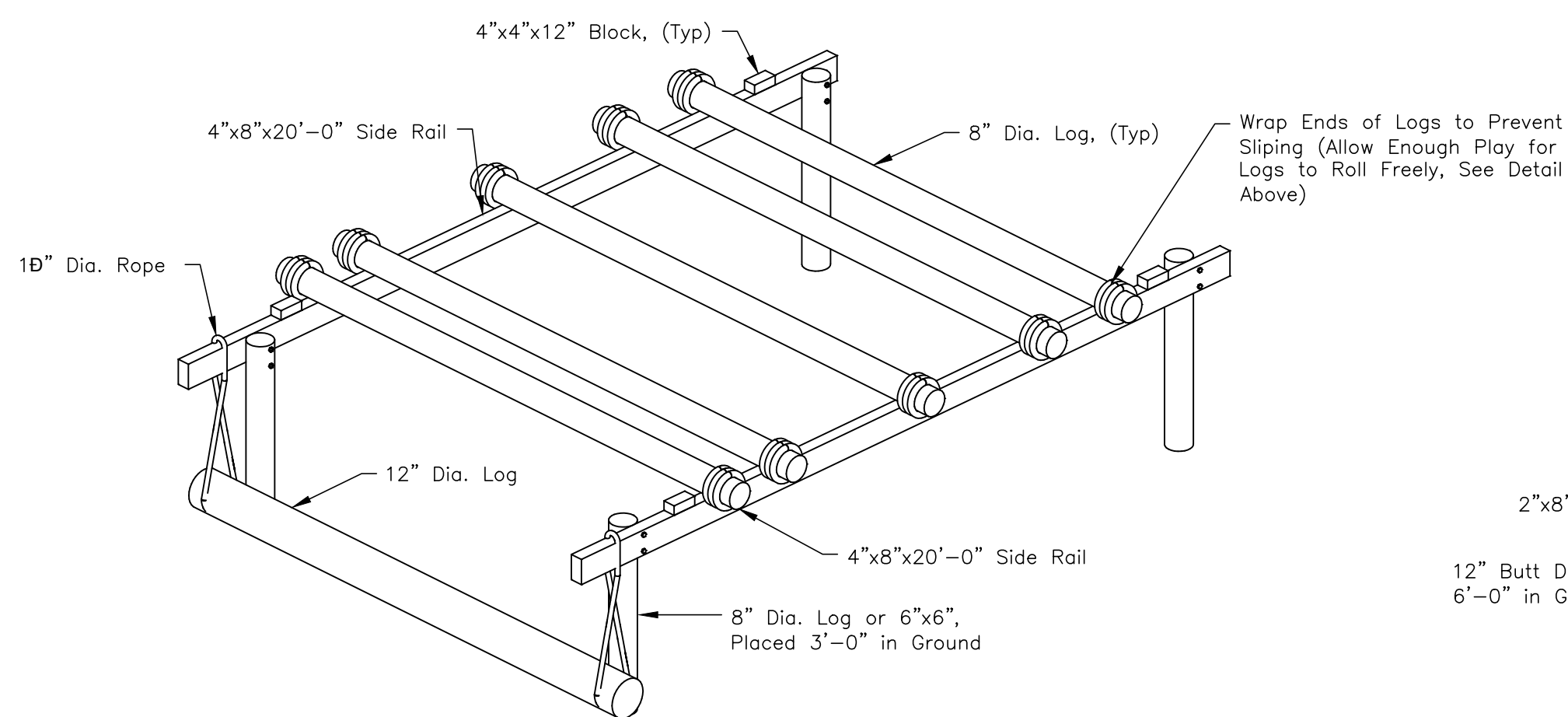
INCLINING WALL
Red #1
Not To Scale



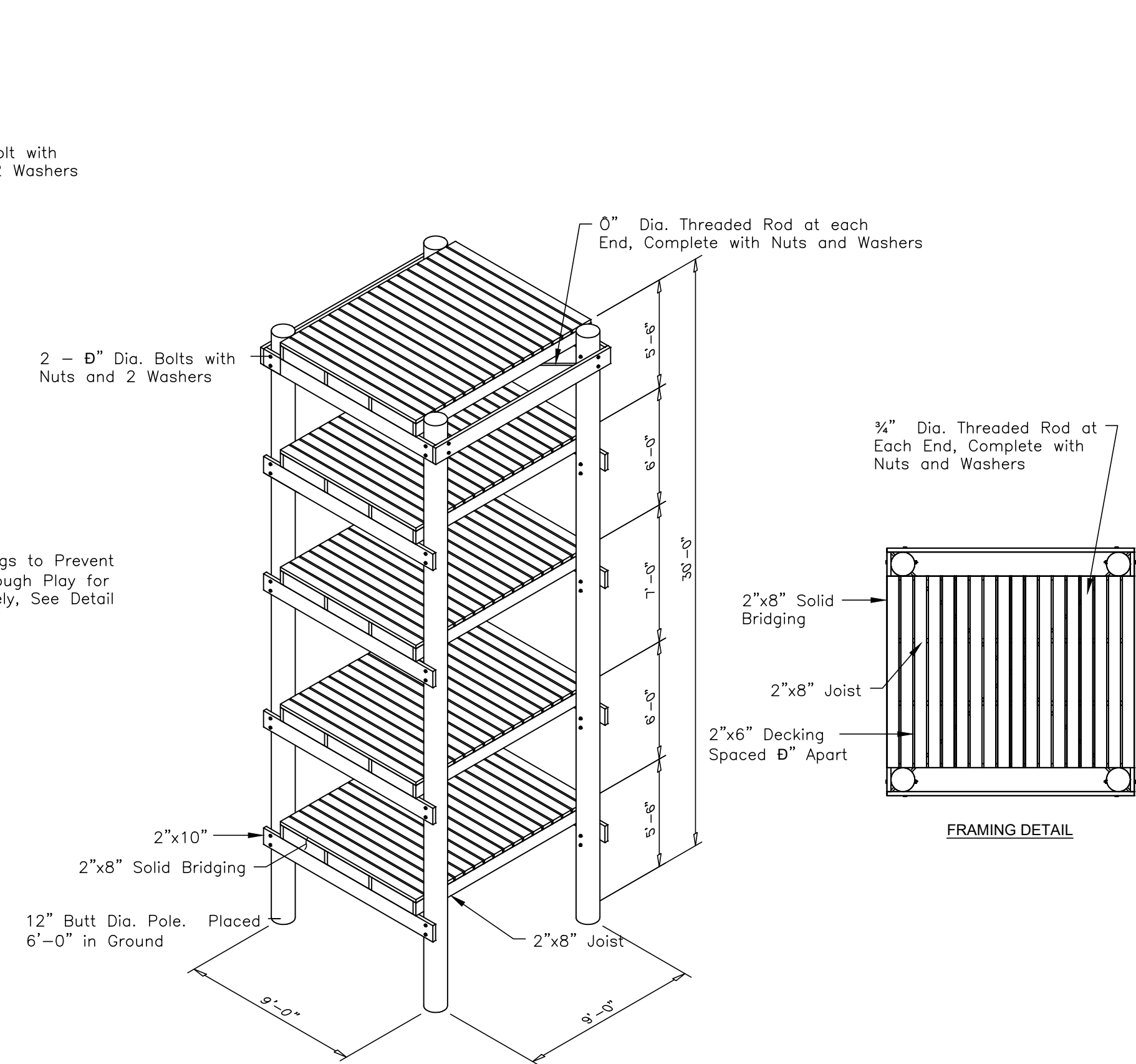
THE TOUGH ONE
Red #6
Not To Scale



JUMP AND LAND
Red #3
Not To Scale



BELLY ROBBER
Red #5
Not To Scale



SKYSCRAPER
Red #2
Not To Scale

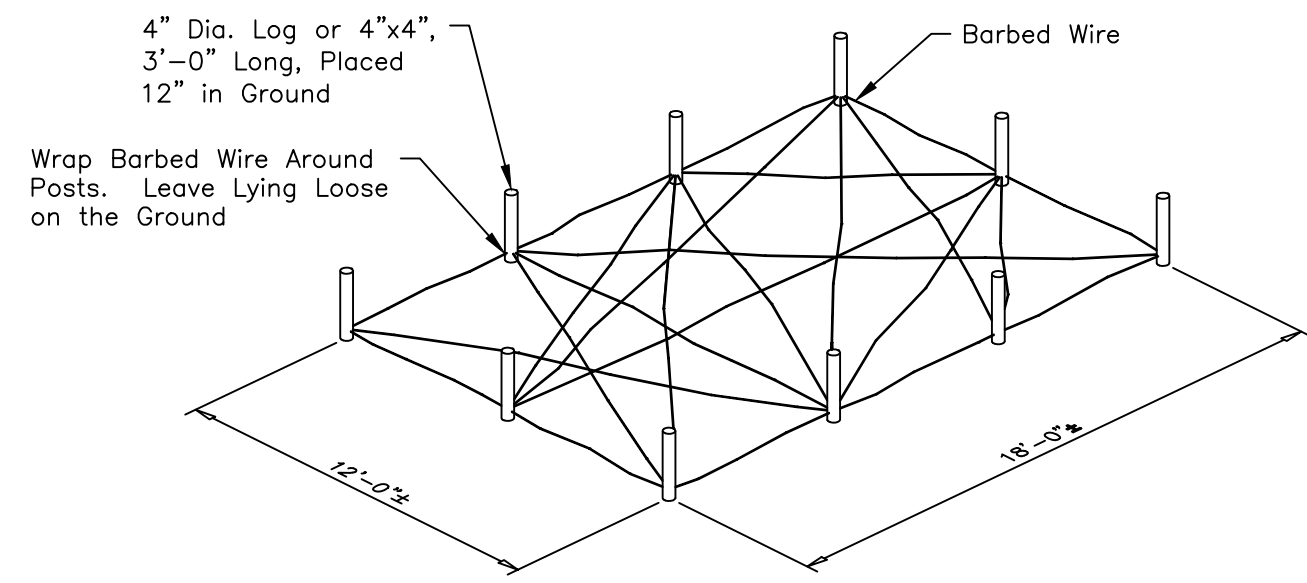


File Number:	221217
Location:	SW Section 4 and SE Section 5, T1N, R7E, BHM
Surveyed By:	EK/DL
Date:	October 2022
Designed By:	JDF/CTD
Drawn By:	JRK/MDS
Checked By:	JDF/JAP

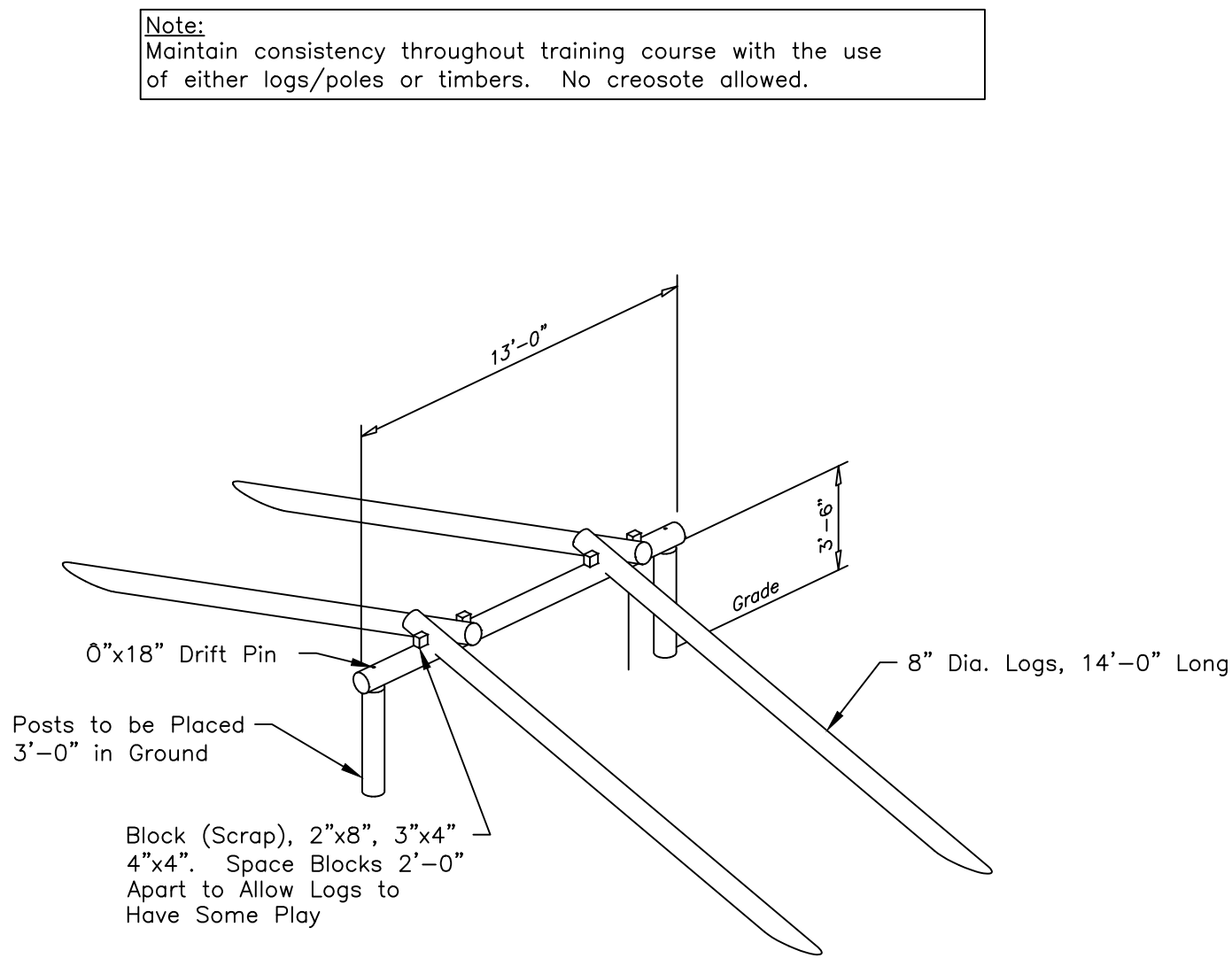
South Dakota Department of the Military
Confidence Course - West Camp Rapid
Bid Schedule No.3
Rapid City, South Dakota
CFMO#467033

Revision / Date	
Sheet Name:	Confidence Course Red Quadrant Details
Sheet Number:	BS3-C6

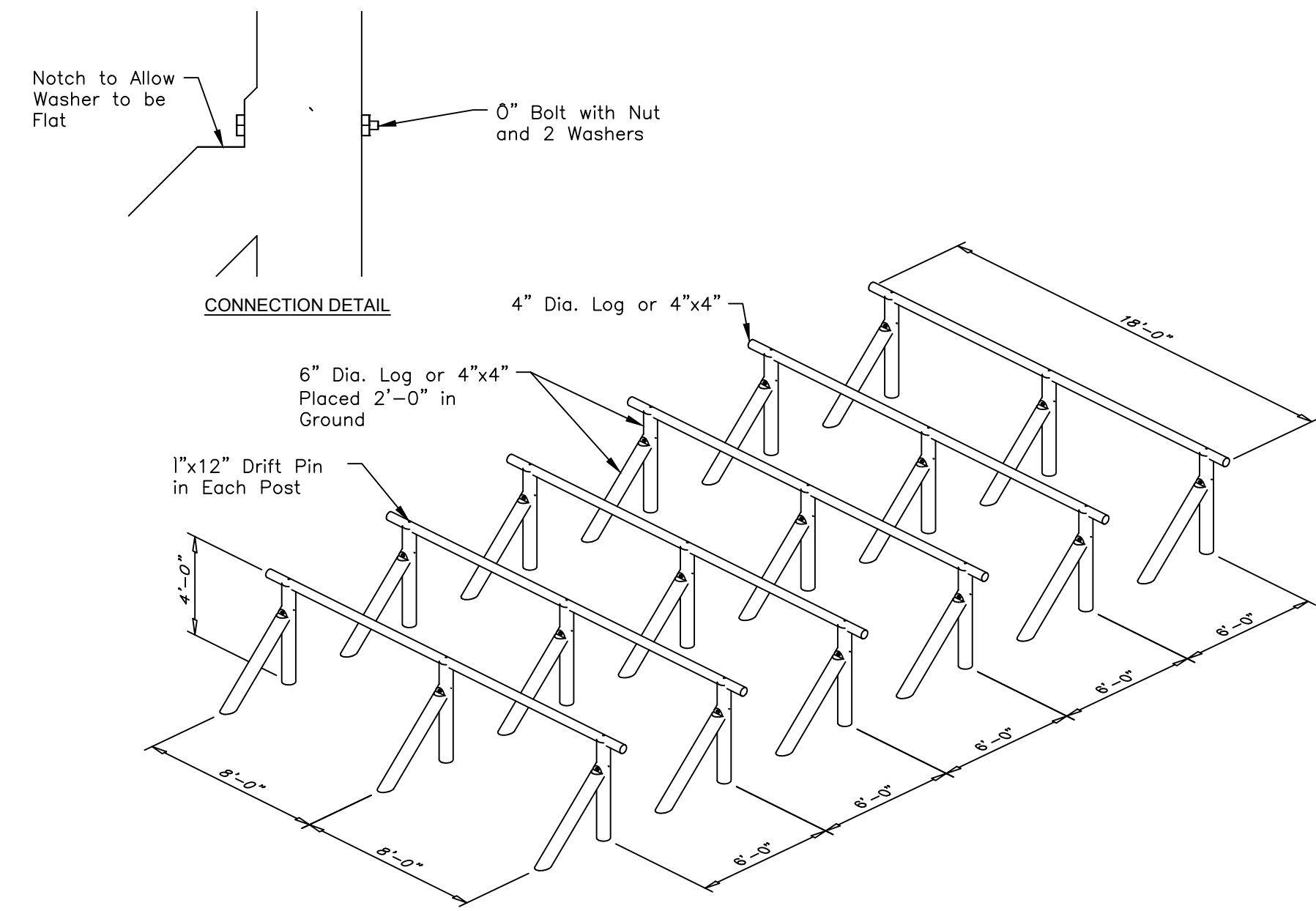
2:22:17:00 Dept of Military-Correl Drainage - Red Data Drive/CAD/Plan Sheets/Training Course/221217 Course Details.dwg - BS3-C6 Confidence Course Red Quadrant Details - Wednesday, August 30, 2023 3:30:38 PM



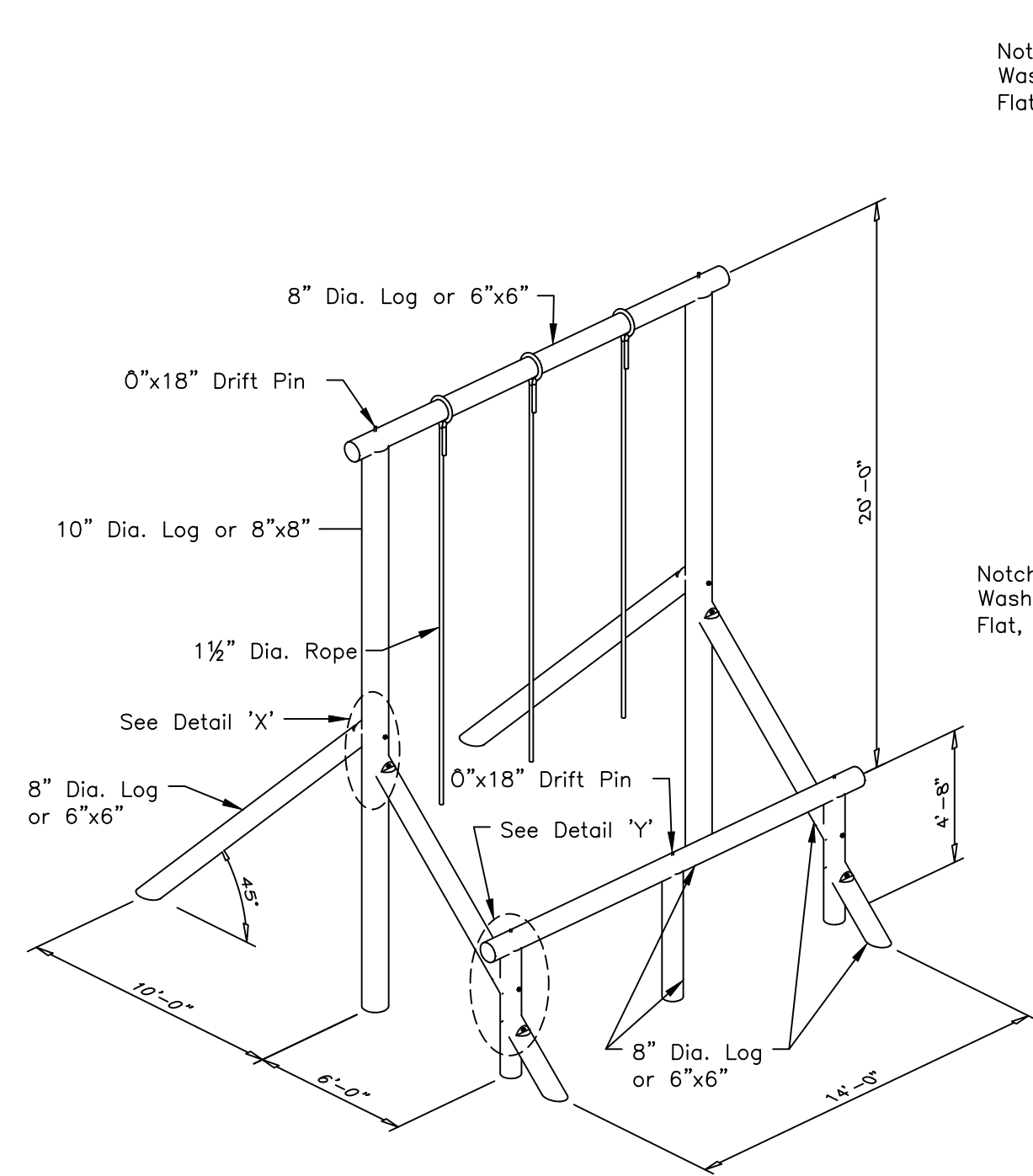
LOW WIRE
Black #21
Not To Scale



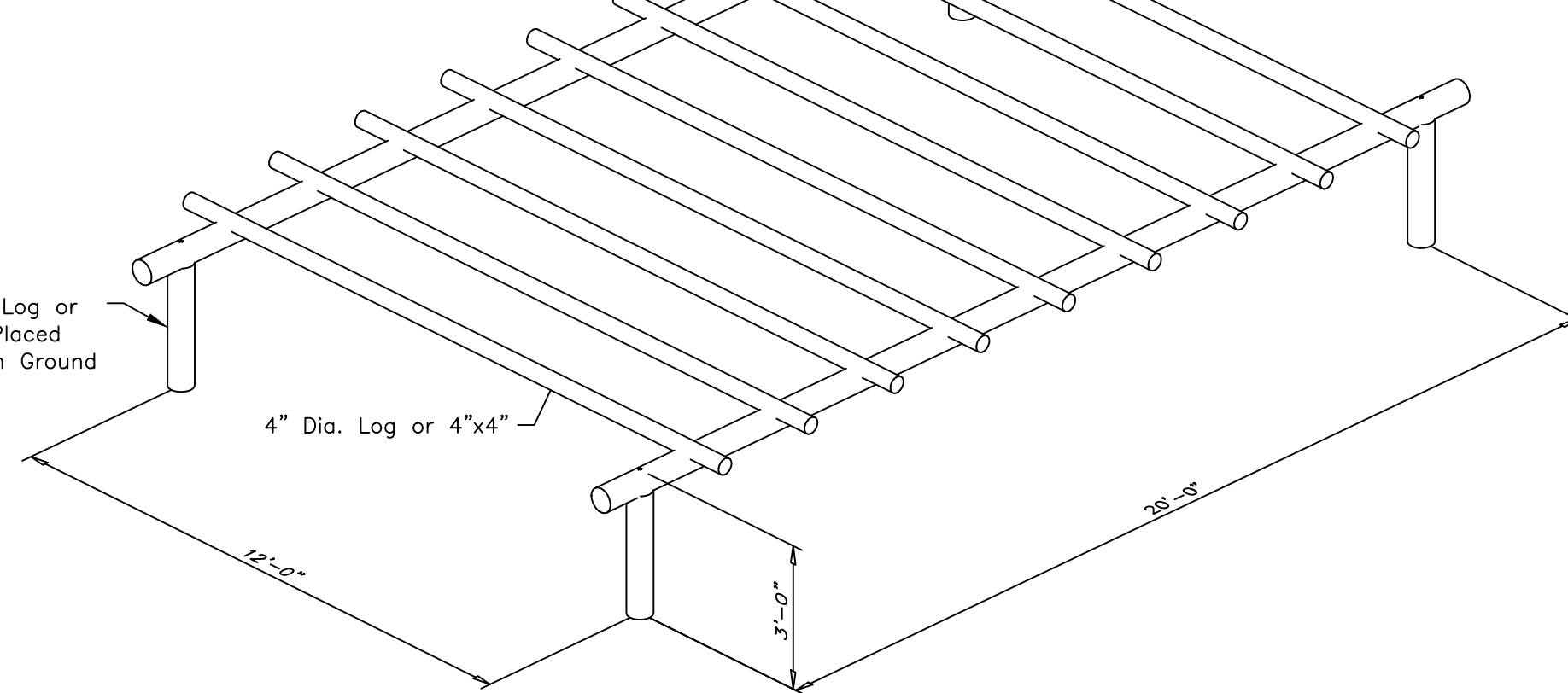
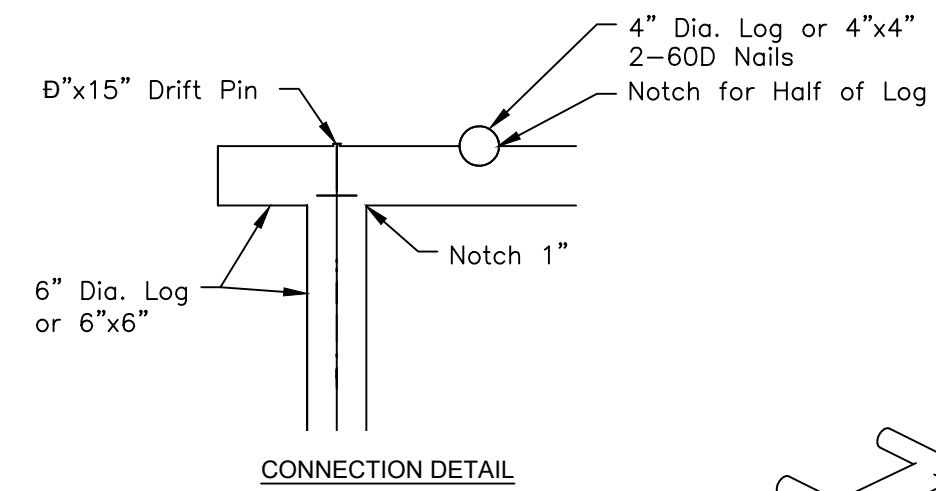
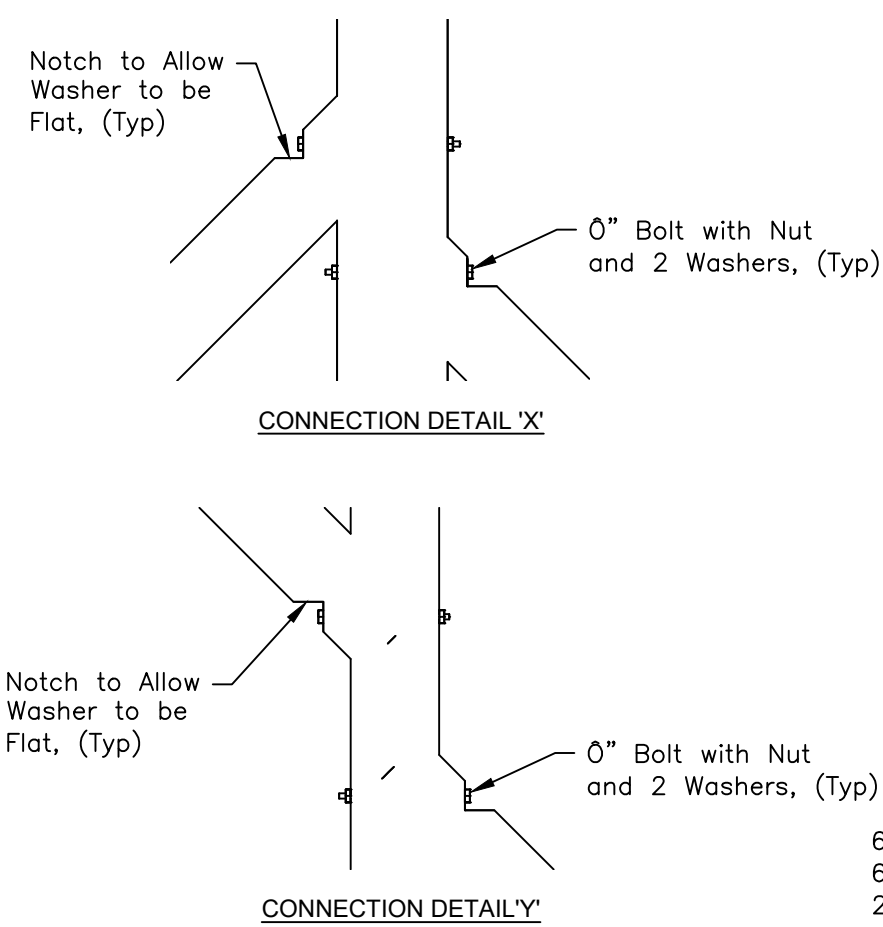
EASY BALANCER
Black #24
Not To Scale



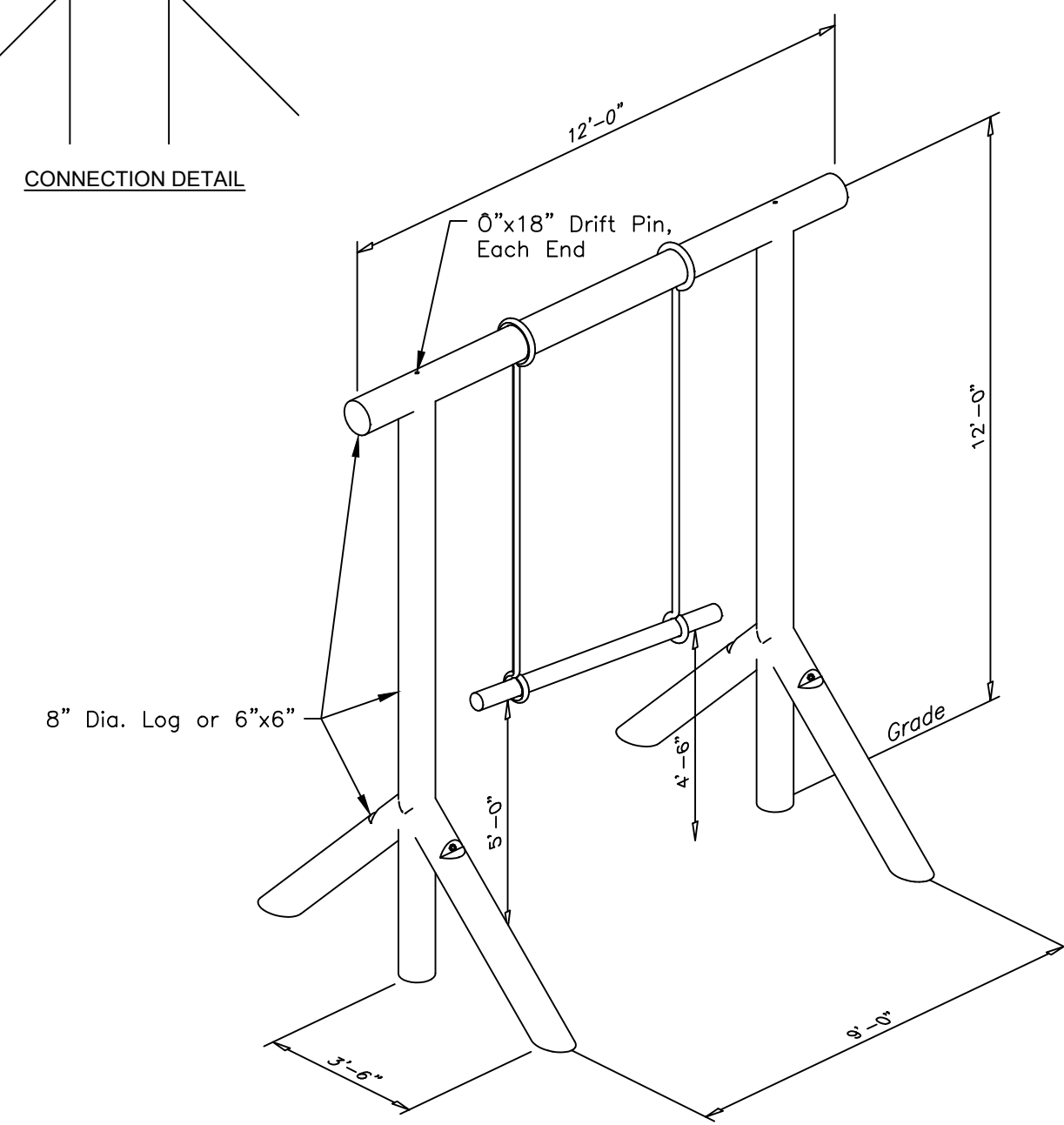
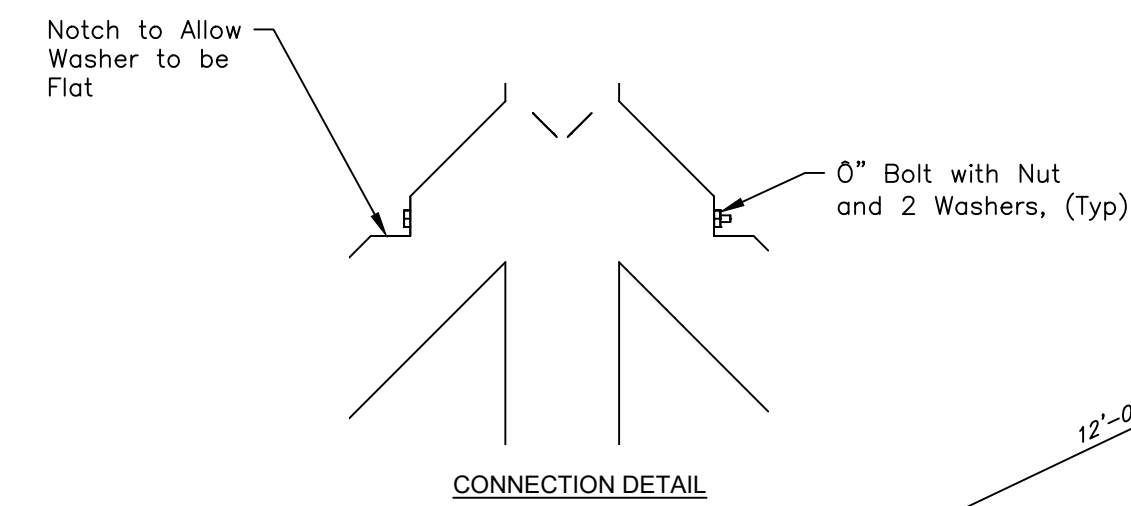
SIX VAULTS
Black #23
Not To Scale



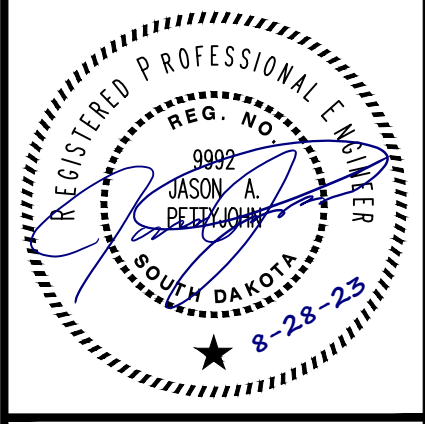
SWING STOP and JUMP
Black #22
Not To Scale



HIGH STEP OVER
Black #19
Not To Scale



SWINGER
Black #20
Not To Scale



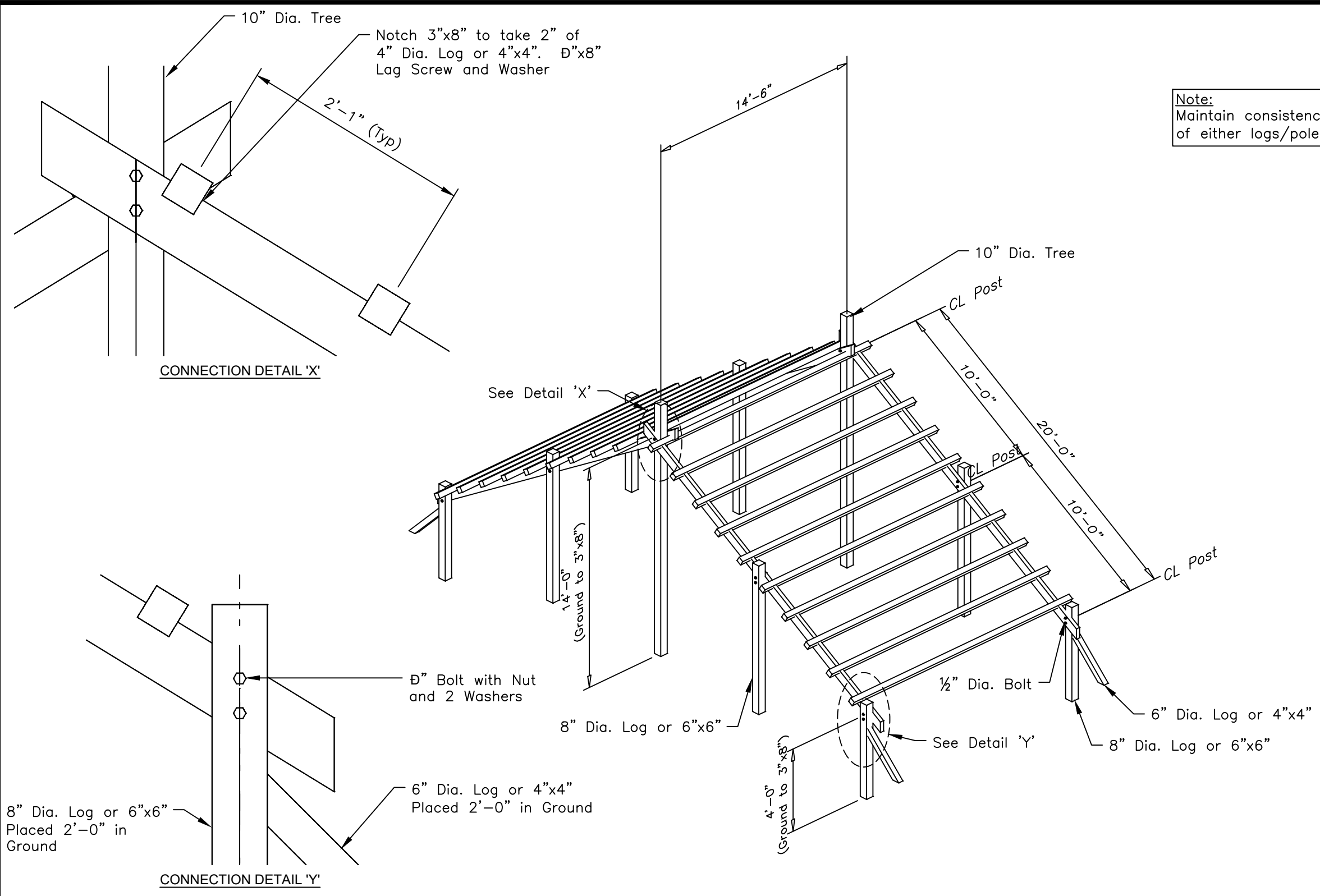
File Number: 221217
Location: SW Section 4 and SE Section 5, T1N, R7E, BHM
Surveyed By: EK/DL
Date: October 2022
Designed By: JDF/CTD
Drawn By: JRK/MDS
Checked By: JDF/JAP

South Dakota Department of the Military
Confidence Course - West Camp Rapid
Bid Schedule No.3
Rapid City, South Dakota
CFMO#467033

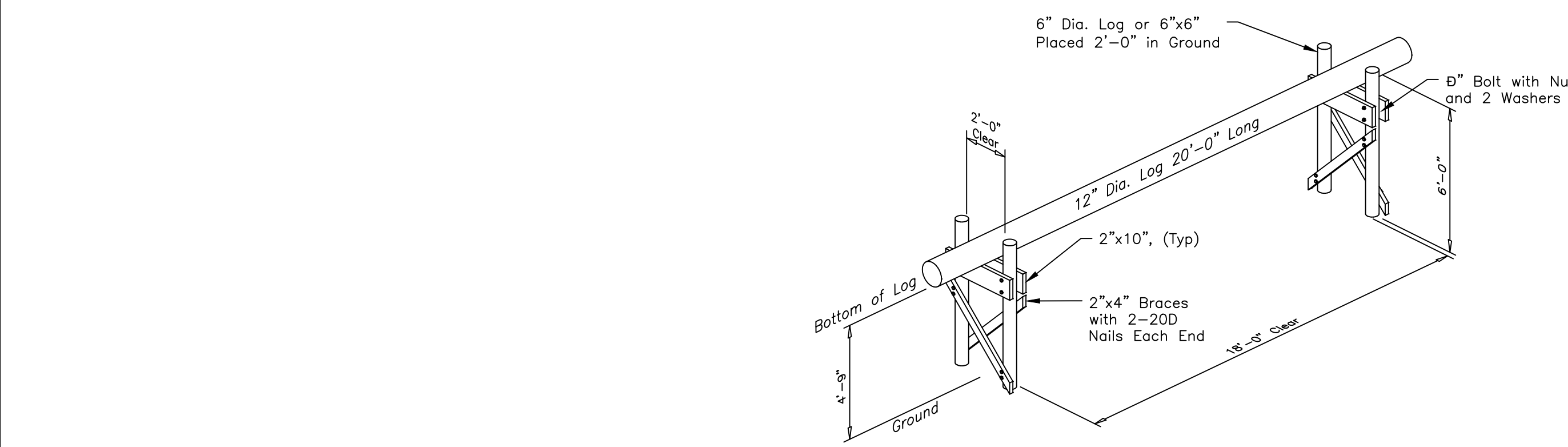
Revision / Date
Sheet Name:
Confidence Course
Black Quadrant
Details

Sheet Number:
BS3-C7

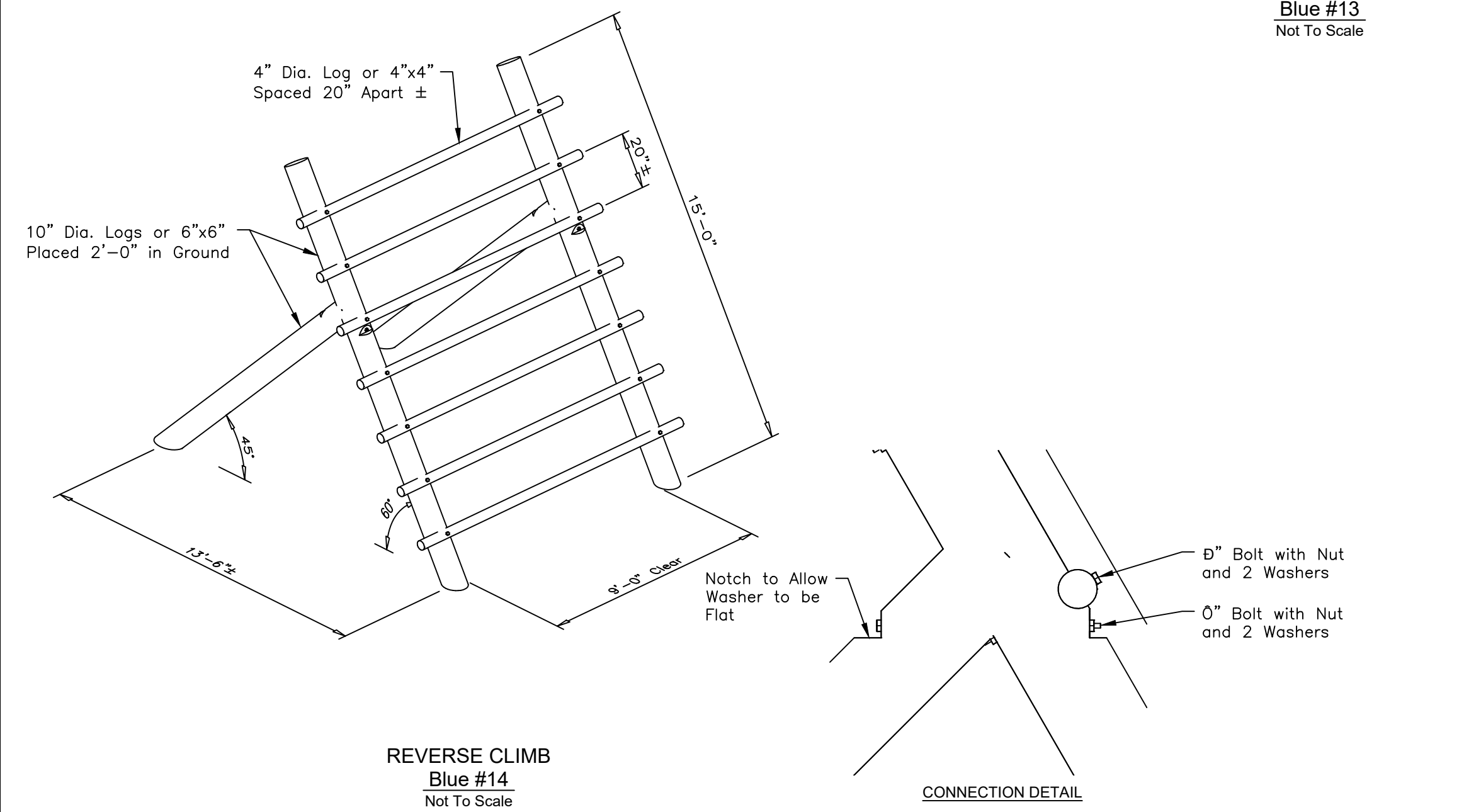
Z:\221217\00 Dept of Military-Correl Drainage - Red Data Drive\CAD\Plan Sheets\Training Course\221217 Course Details.dwg - BS3-C7 Confidence Course Black Quadrant Details - Wednesday, August 30, 2023 3:30:48 PM



THE WEAVER
Blue #15
Not To Scale

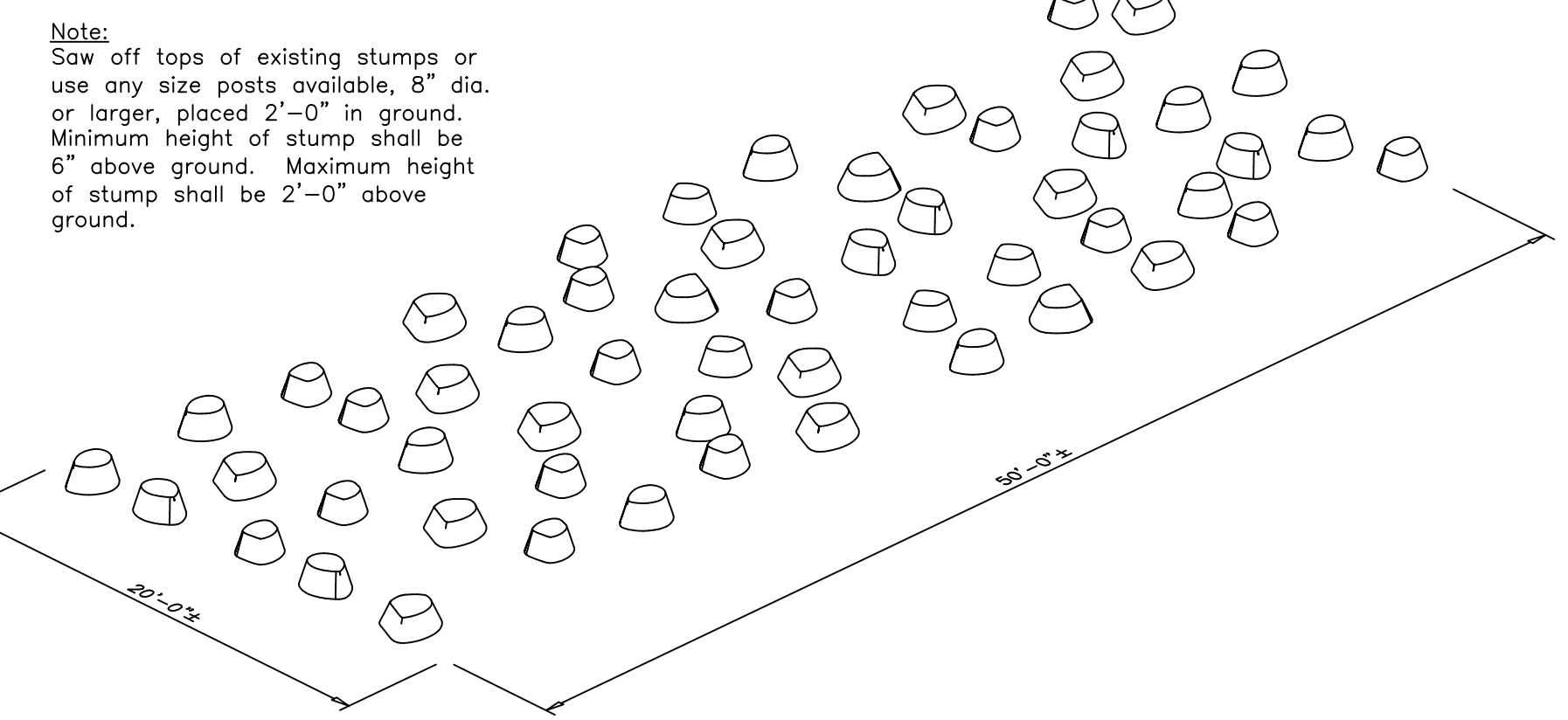


THE BELLY BUSTER
Blue #13
Not To Scale

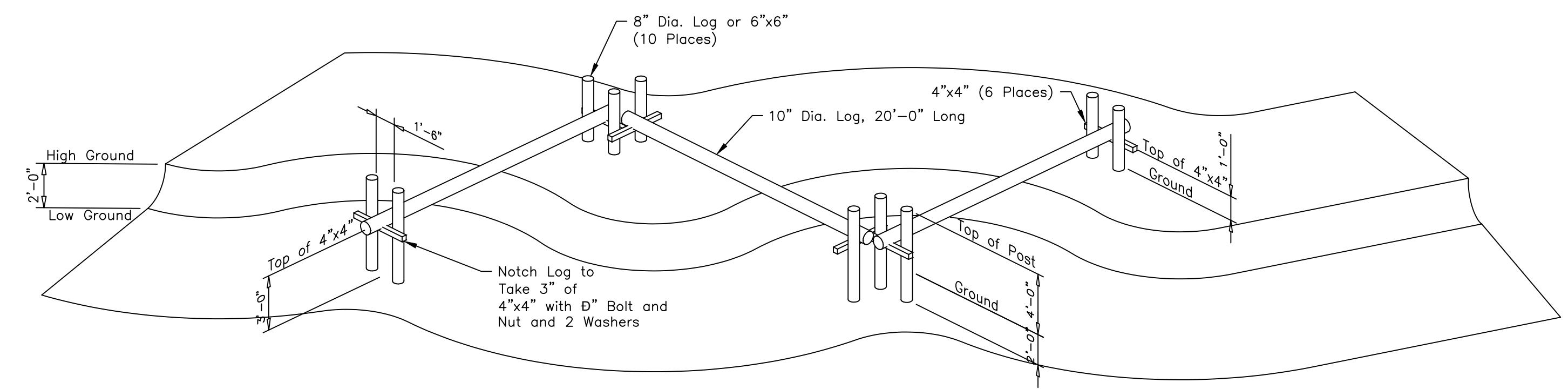


REVERSE CLIMB
Blue #14
Not To Scale

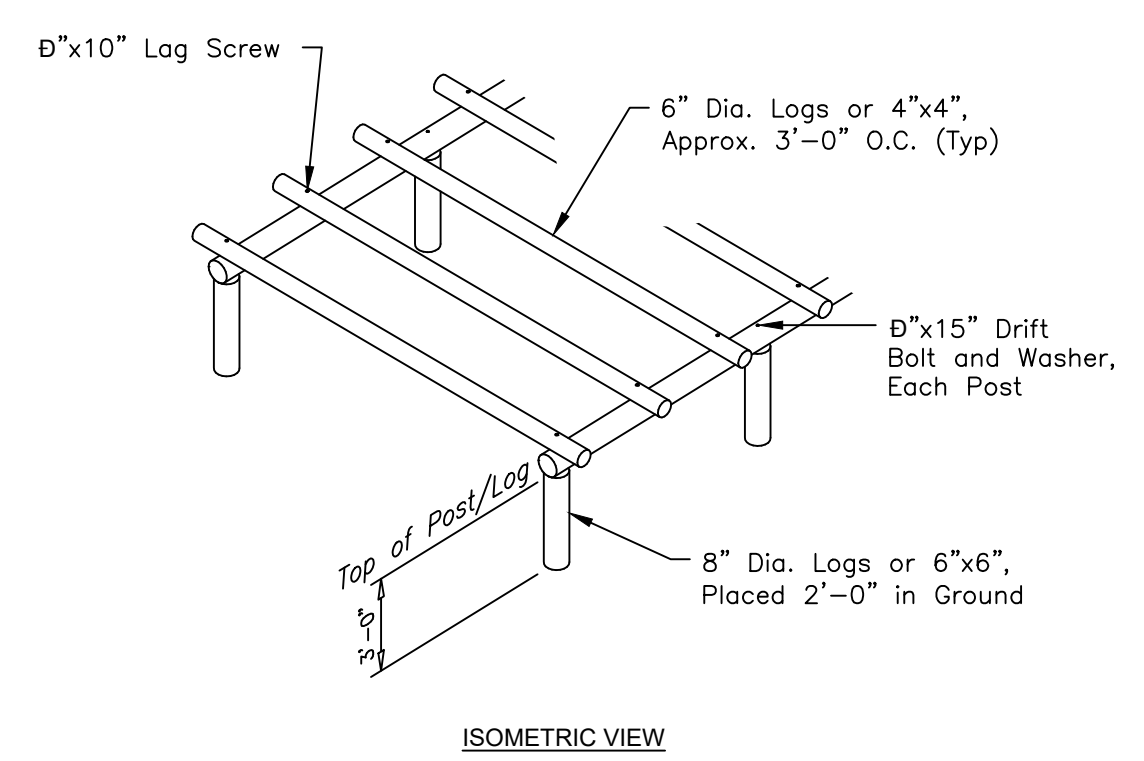
Note:
Maintain consistency throughout training course with the use of either logs/poles or timbers. No creosote allowed.



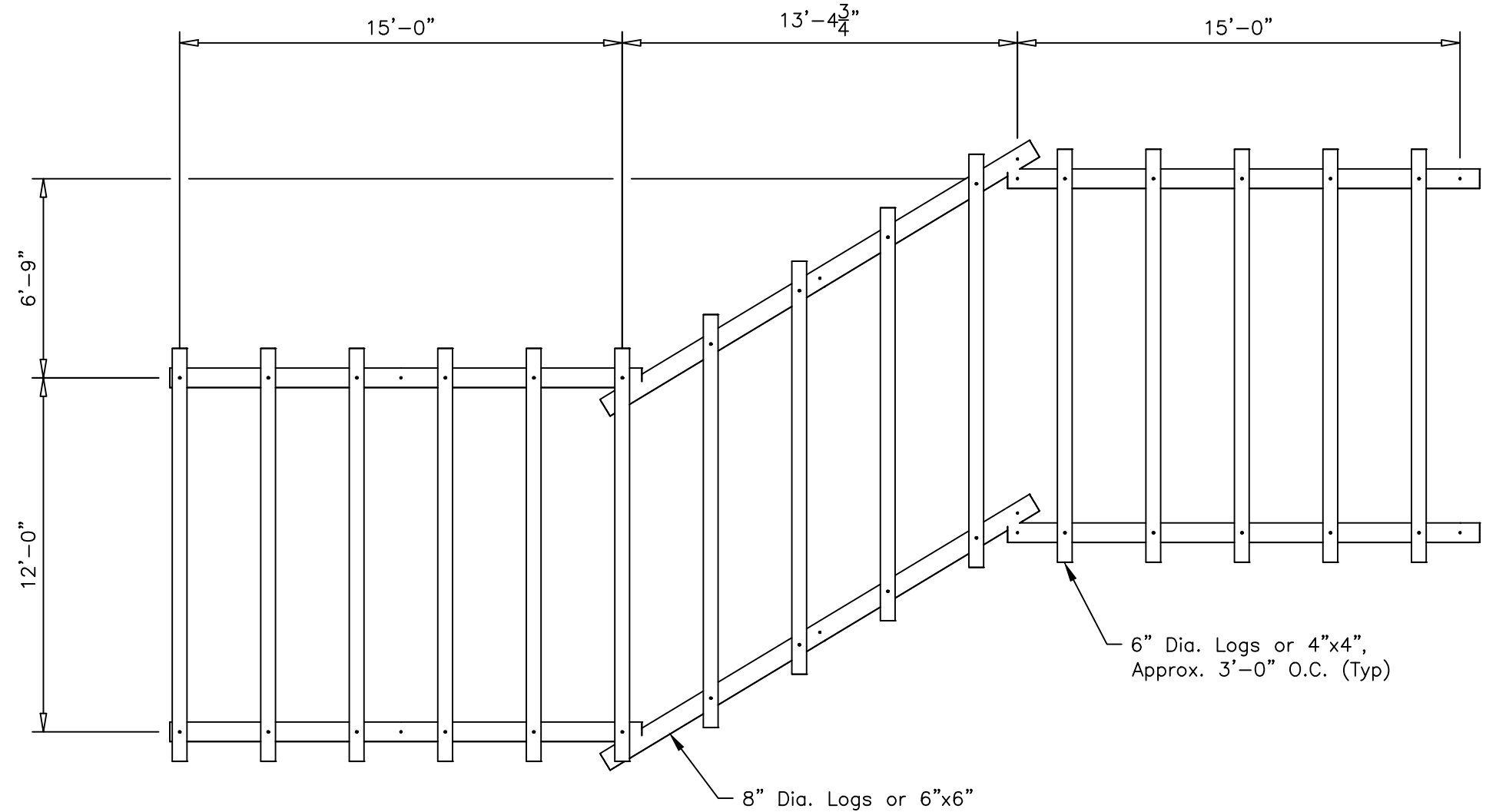
ISLAND HOPPERS
Blue #18
Not To Scale



BALANCING LOGS
Blue #17
Not To Scale

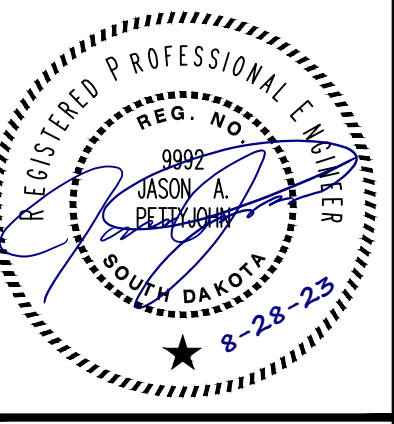


ISOMETRIC VIEW



HIP HIP
Blue #16
Not To Scale

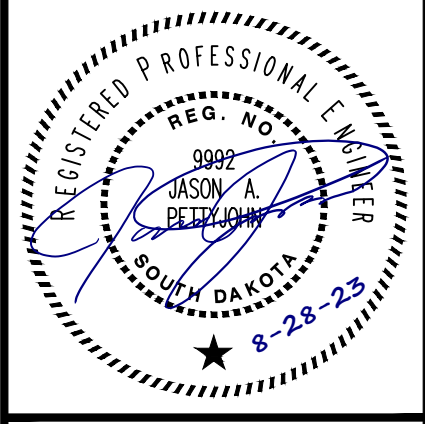
Note:
Saw off tops of existing stumps or use any size posts available, 8 inch dia. or larger, placed 2'-0" in ground. Minimum height of stump shall be 6" above ground. Maximum height of stump shall be 2'-0" above ground.



File Number:
221217
Location:
SW Section 4 and SE Section 5,
T1N, R7E, B1M
Surveyed By: EK/DL
Date: October 2022
Designed By: JDF/CTD
Drawn By: JRK/MDS
Checked By: JDF/JAP

South Dakota Department of the Military
Confidence Course - West Camp Rapid
Bid Schedule No. 3
Rapid City, South Dakota
CFMO #467033

Revision / Date
Sheet Name:
Confidence Course
Blue Quadrant
Details
Sheet Number:
BS3-C8



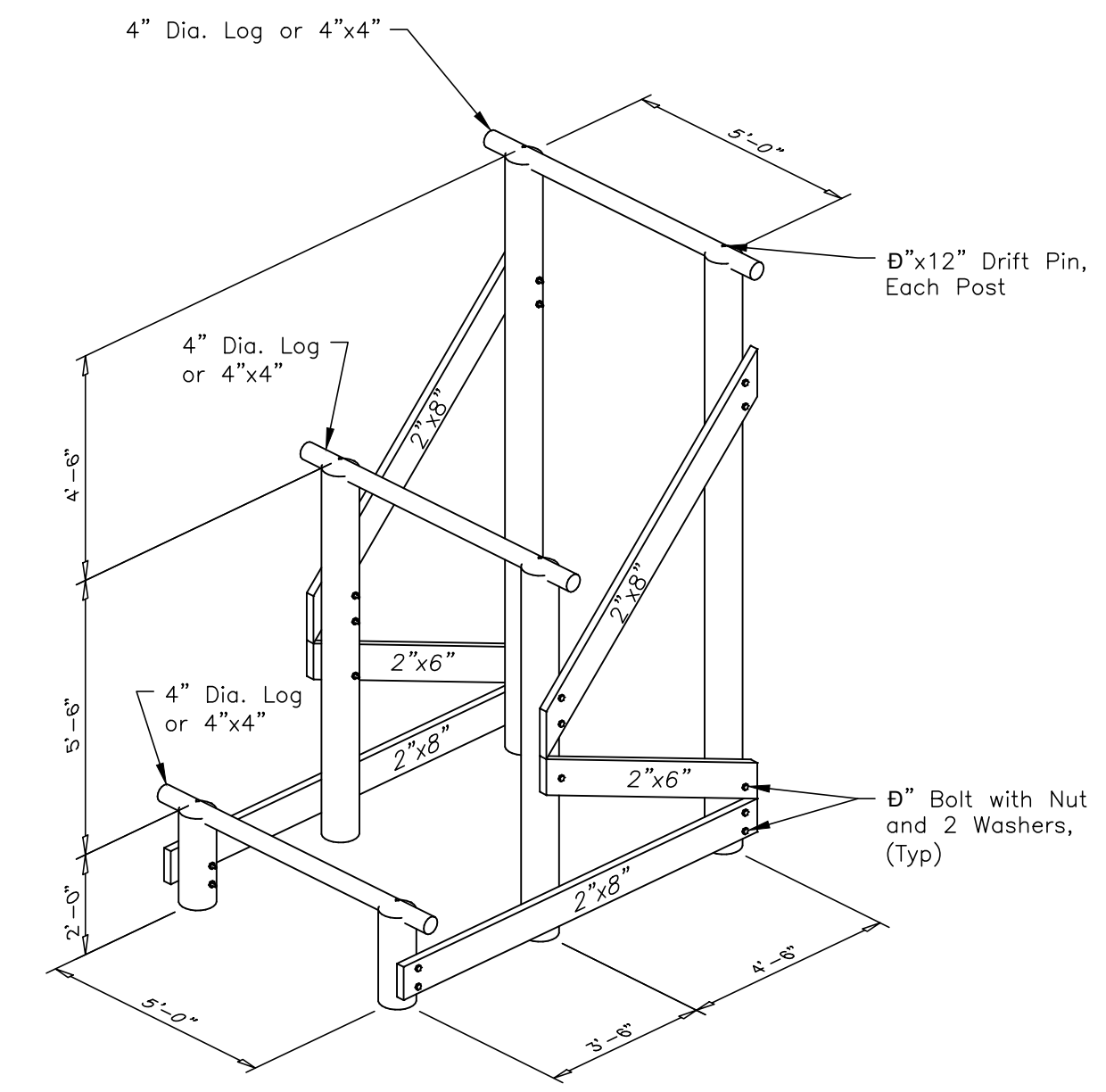
File Number: 221217
 Location: SW Section 4 and SE Section 5, T1N, R7E, BHM
 Surveyed By: EK/DL
 Date: October 2022
 Designed By: JDF/CTD
 Drawn By: JRM/MDS
 Checked By: JDF/JAP

South Dakota Department of the Military
Confidence Course - West Camp Rapid
Bid Schedule No.3
Rapid City, South Dakota
CFMO#467033

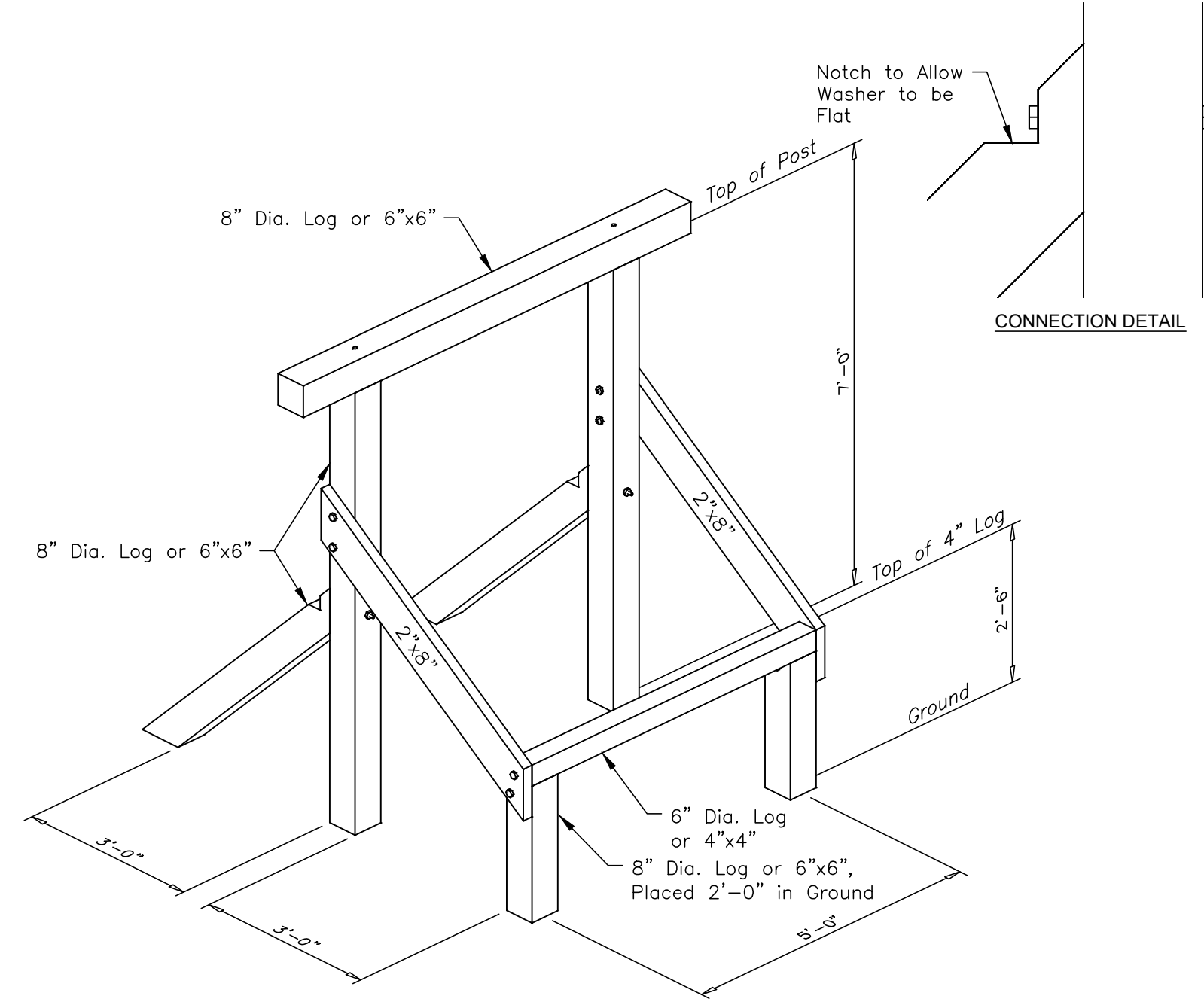
Revision / Date
 Sheet Name:
Confidence Course White Quadrant Details
 Sheet Number:
BS3-C9

August 2023

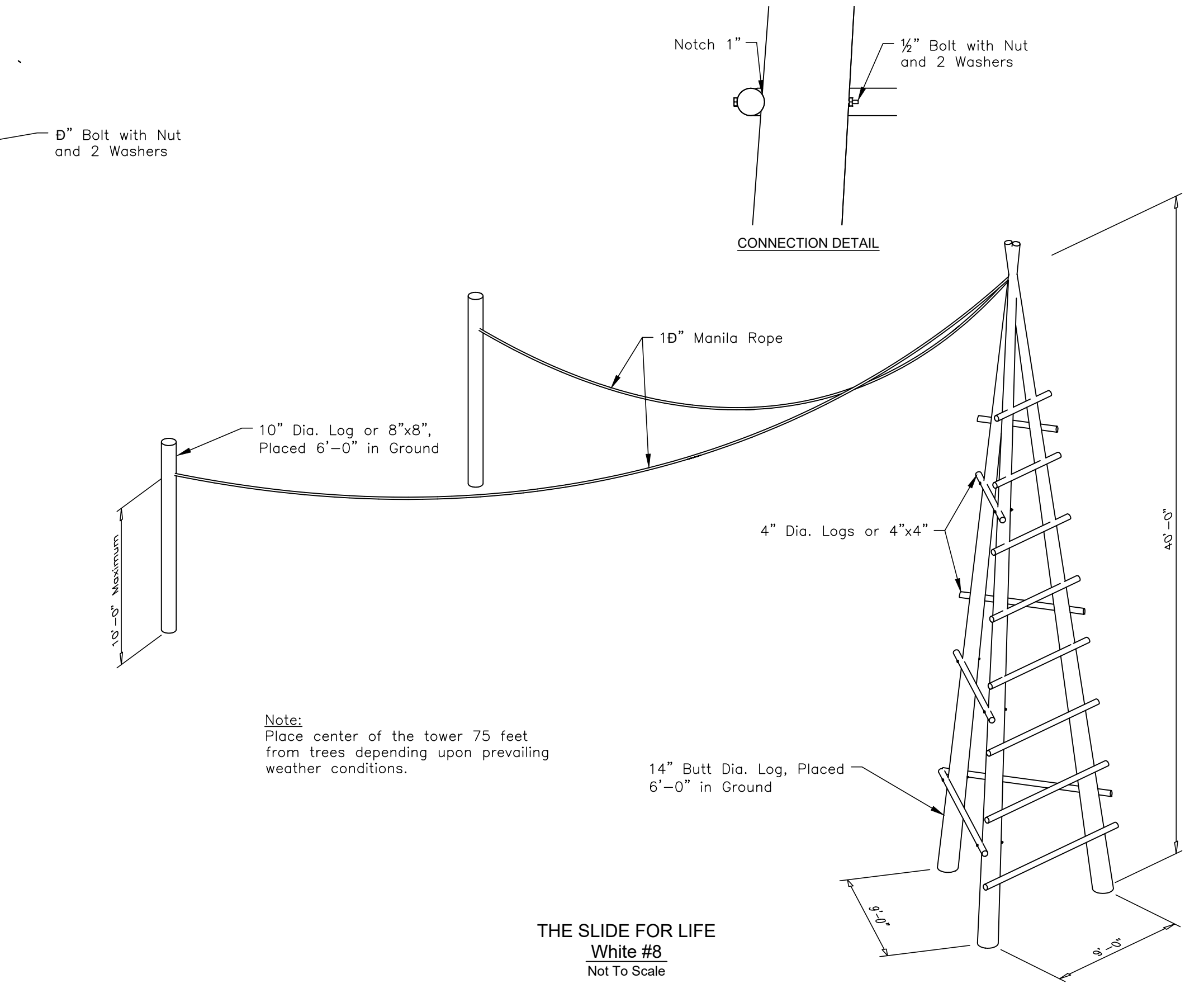
Z:\221217\00 Dept of Military-Confidence Course - Red Data Drive\CAD\Plan Sheets\Training Course\221217 Course Details.dwg - BS3-C9 Confidence Course White Quadrant Details - Wednesday, August 30, 2023 3:31:08 PM



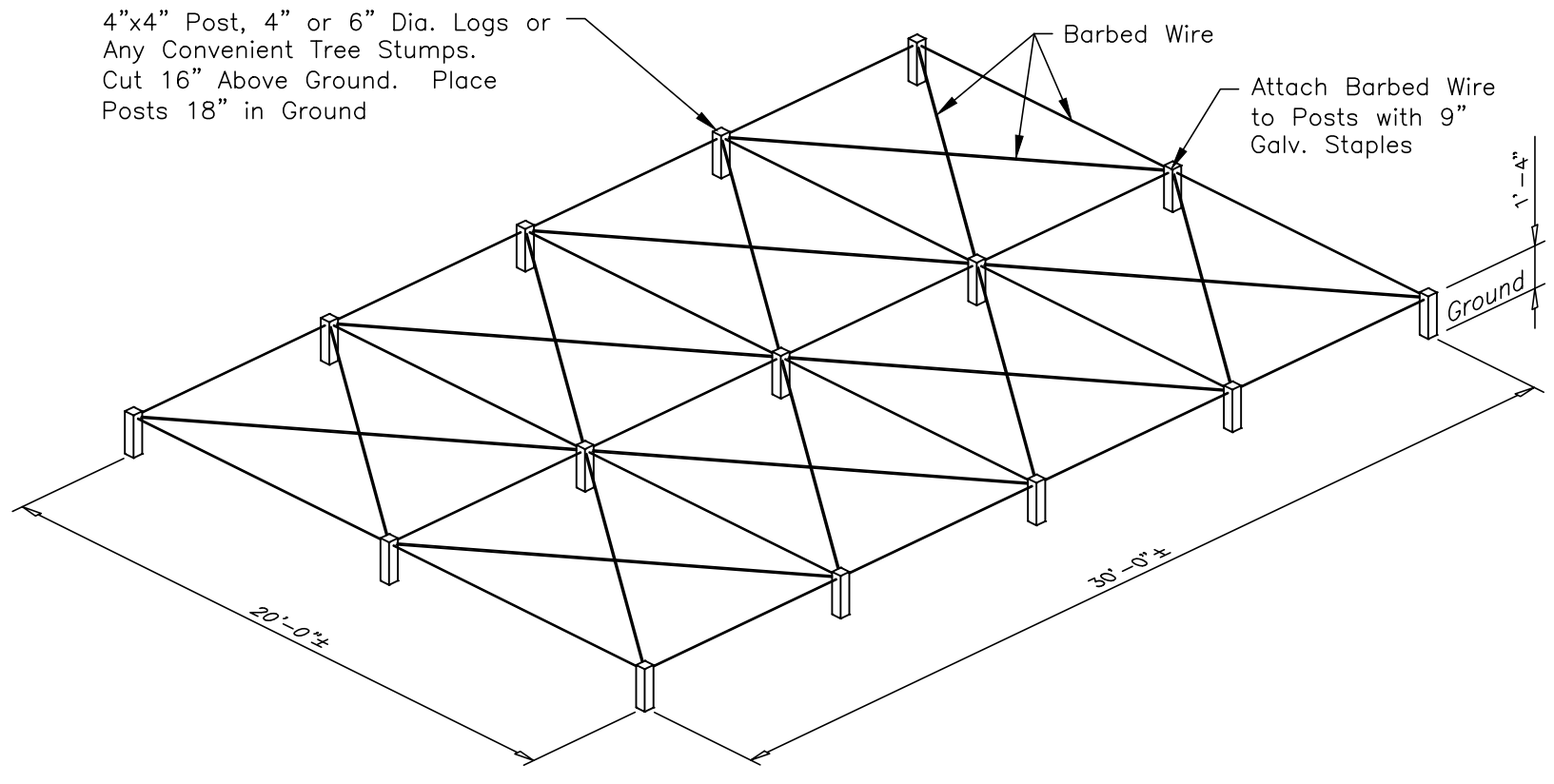
THE DIRTY NAME
 White #11
 Not To Scale



BELLY CRAWL
 White #9
 Not To Scale

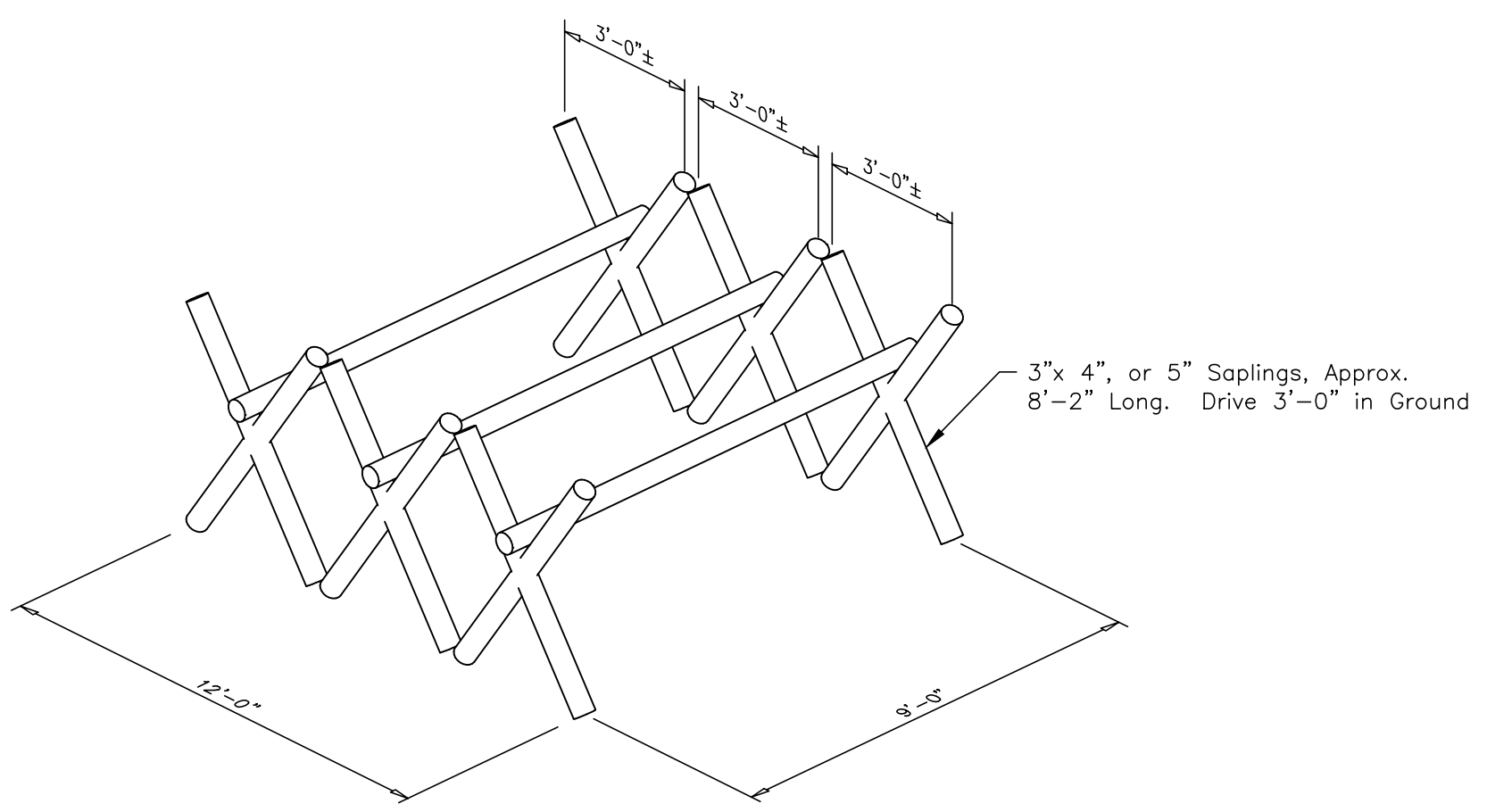
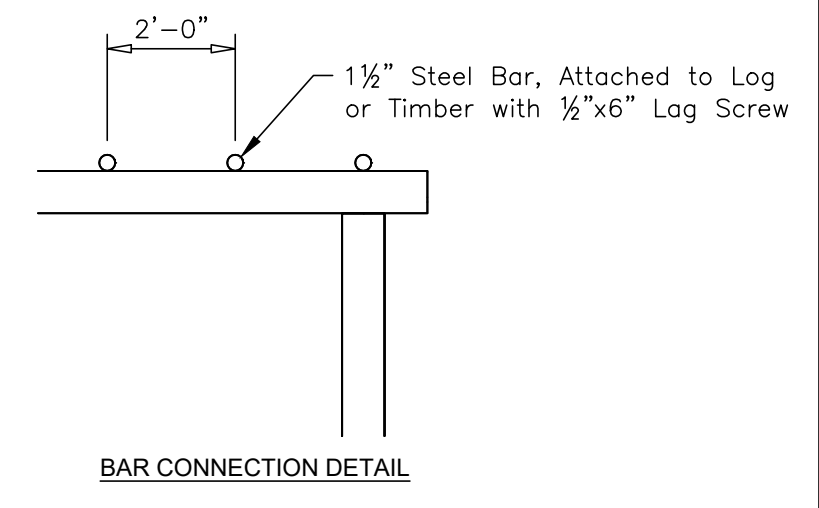


THE SLIDE FOR LIFE
 White #8
 Not To Scale

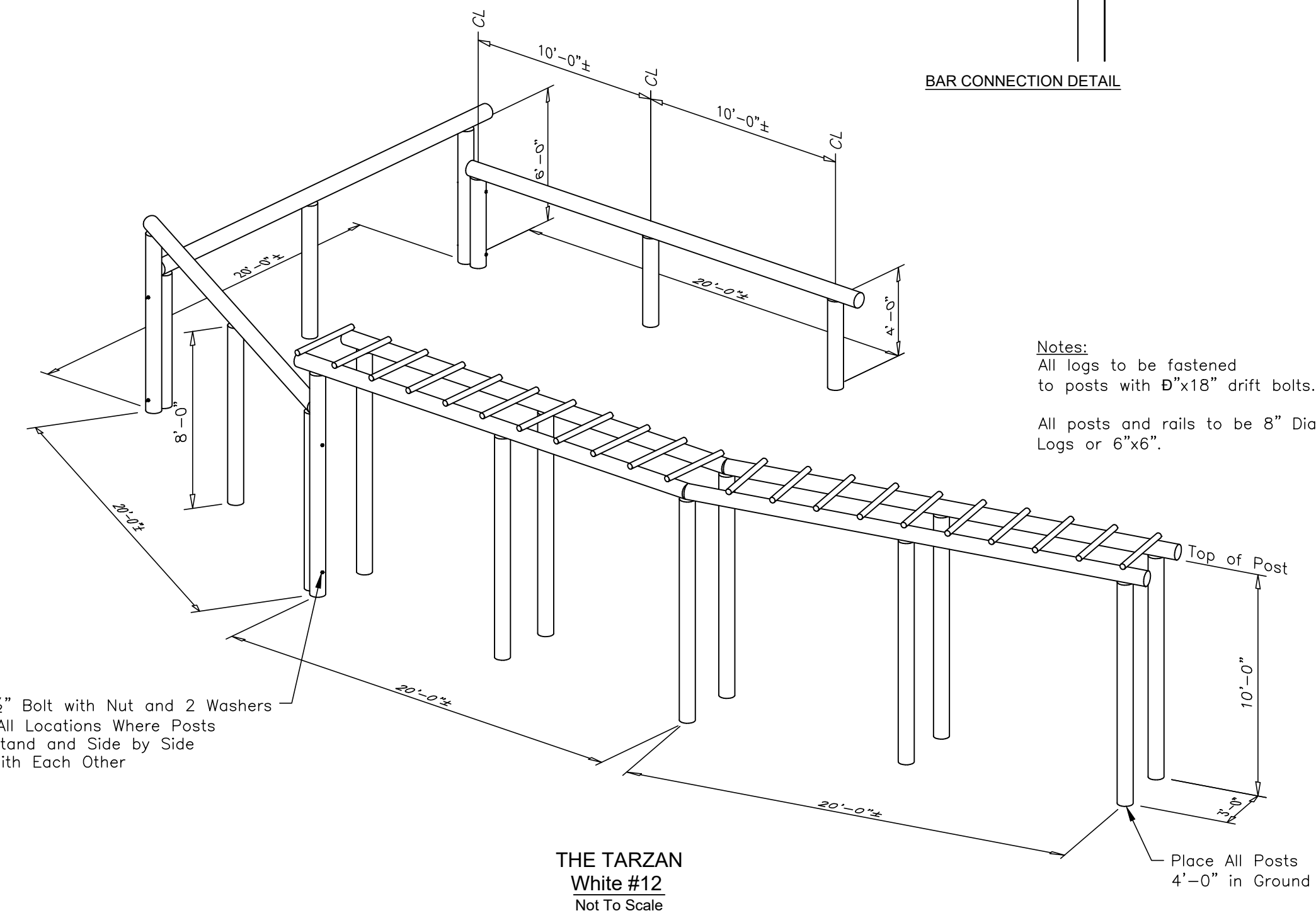


LOW BELLY OVER
 White #10
 Not To Scale

Note:
 Maintain consistency throughout training course with the use of either logs/poles or timbers. No creosote allowed.



THE TOUGH NUT
 White #7
 Not To Scale



THE TARZAN
 White #12
 Not To Scale