

We carry responsibility



Medical Trolleys

benz-cart

www.benz-cart.com

BNZ-1



The Benz-Cart Trolleys provides a variety of solutions and different options to the health professionals with its innovative and modular design.

BNZ-2



Thanks to its steel body, electrostatic powder coating and twin wheels, the Benz-Cart trolleys remain durable for many years.

BNZ-3



- *Strong steel body with 2 mm thickness*
- *Easily adaptable modular system for a variety of health needs and conditions.*
- *A wide selection of accessories*
- *Possibility of shelf and drawer configuration*
- *A spacious support column for cables*
- *Unmatched load supporting capacity up to 250 kg.*

Excellent balance and stability



BNZ-3

*We create solutions for endoscopy,
gastroscopy, CPET and stress ECG*



BNZ-2

We create solutions for ECG, ESWT, EEG and EMG



BNZ -1



Compact, practical and ergonomic keyboard tray



Locked and unlocked drawer options that can be adapted to all levels



5 mm stability barriers surrounding all four sides of the shelf



Attachable mouse tray to drawers



Safe hold boxes for the flexible scope and rigid telescope



Unique box design for holding the camera head and fiber optic light cable safely in separate compartments



Isolation transformer



A PC bracket mounted directly underneath a shelf, that allows for attaching an SFF



A bracket for the desktop PC that can be mounted on the back of the central column



Bottle holder (10 L)



Bottle holder (2 L)



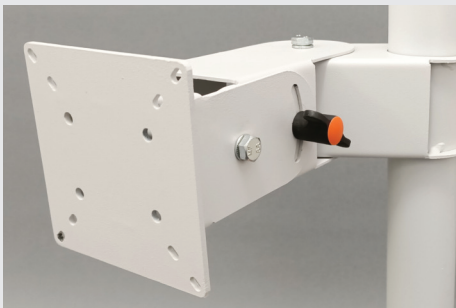
Twin monitor holder



Single monitor holder



Three directional moving monitor holder



Four directional moving monitor holder



Side holder arms available in various colors



Wide cable storage column up to 46 dm³ space



Various wheel type options

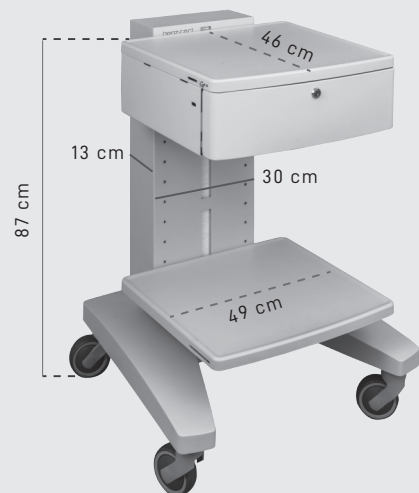
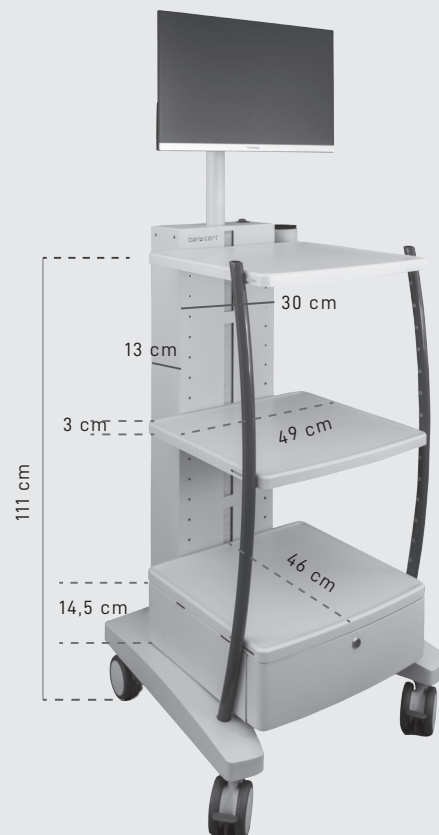
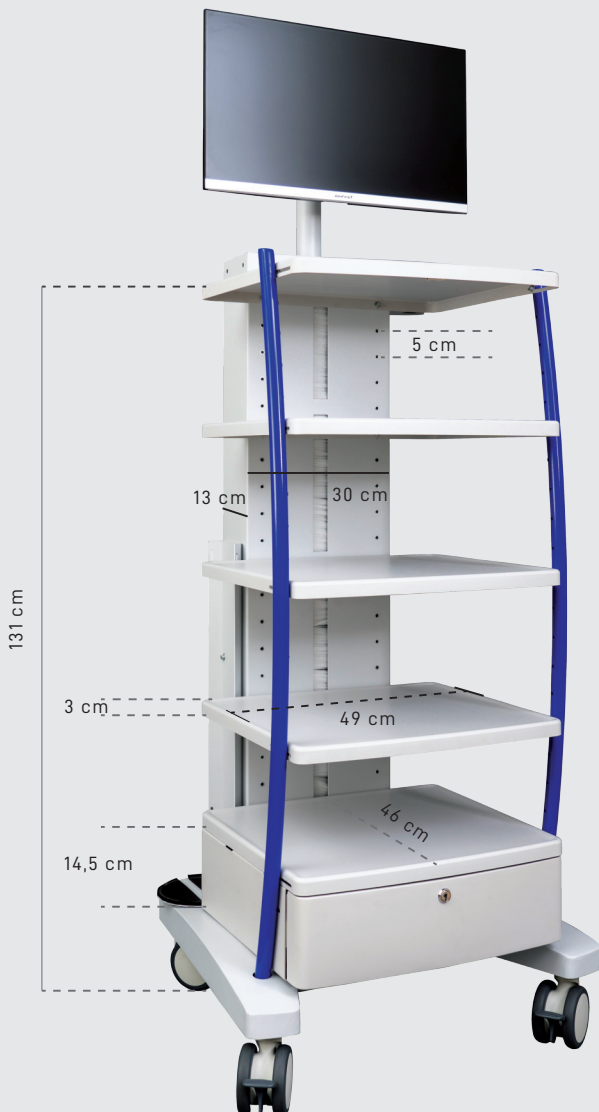
BNZ-3

BNZ-2

BNZ-1

Dimensios

Length (cm)	65	65	65
Width (cm)	64	64	64
Height (cm)	137	116	89
Weight (cm)	65	50	35
Shelve Capacity (kg)	50	50	25
Total Load Capacity (kg)	250	250	75



Medical Trolleys

benz-cart

www.benz-cart.com