



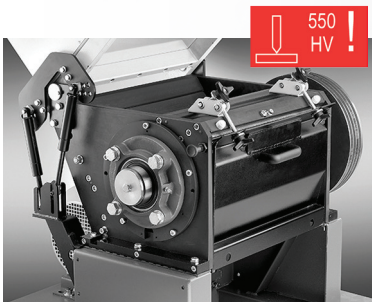
Your recycling needs. Our grinding solutions.

BM Series 30

Granulators dedicated to scraps recovery from blow molding: runners, blown parts, in-line parison at high temperatures.

Off-line grinding of preforms and blown parts.

Suitable for molds or bulky and light thermoformed scraps.



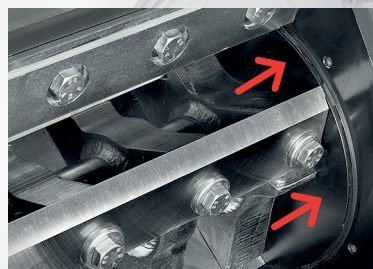
Grinding chamber in 550HV antiwear execution; hopper opening assist by gas cylinder.



Integrated electric control panel. Safety devices and circuit in compliance with EEC Directives.



Access without tools to the parts subject to routine maintenance. mounted on industrial casters.



Rotary discs integral with the rotor and containment rings. Bench adjustment of blades and counter-blades.



Chamber water cooling. Screen equal to approximately 50% of blades rotation length.

BM Series 30

FEATURES BM 3530

Feeding opening (in): 13.8 x 11.8
 Nr. blades / counter-blades: 3 / 2 Rotor
 speed (RPM): 535
 Rotor diameter (in): 10.2
 Motor (hp): 10
 Weight (lb): 1430
 Standard screen (in): 1/4 - 3/8
 Indicative throughput (lb/hr): 330 - 480

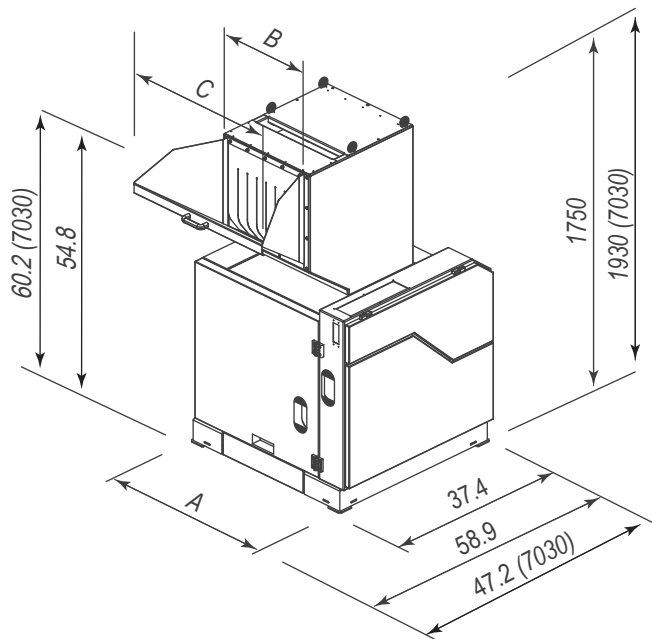
FEATURES BM 5030

Feeding opening (in): 19.7 x 11.8
 Nr. blades / counter-blades: 3 / 2 Rotor
 speed (RPM): 535
 Rotor diameter (in): 10.2
 Motor (hp): 15
 Weight (lb): 1650
 Standard screen (in): 1/4 - 3/8
 Indicative throughput (lb/hr): 440 - 700

FEATURES BM 7030

Feeding opening (in): 27.6 x 300
 Nr. blades / counter-blades: 3 / 2 Rotor
 speed (RPM): 535
 Rotor diameter (in): 10.2
 Motor (hp): 20
 Weight (lb): 2315
 Standard screen (in): 1/4 - 3/8
 Indicative throughput (lb/hr): 440 - 880

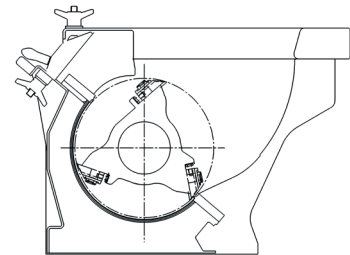
DIMENSIONS



OPTIONAL

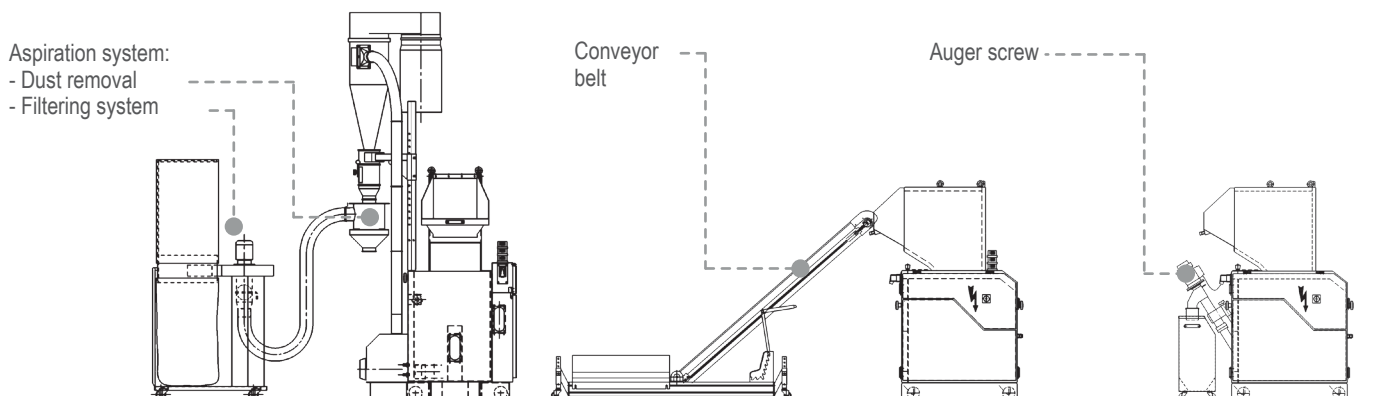
- A) Blades and screen in antiwear execution
 - B) Soundproof rigid flap
 - C) Hopper for pipes and sheets
 - D) Not soundproof version
 - E) Aphonic tunnel for conveyor belt
 - F) Level control
 - G) Discharge for power supply
 - H) Discharge with auger screw*
 - I) Discharge with suction group on board
 - L) Discharge with suction group not on board
- (* available only for: 3530 and 5030)

CHAMBER SECTION: BM SERIES



	A	B	C
BM 3530	33.5	13.4	20.5
BM 5030	39.4	19.3	26.4
BM 7030	47.2	27.2	34.3

ACCESSORIES



Your recycling needs. Our grinding solutions.

TRIA Italy
www.trioplastics.com

TRIA America
 TRIA Brazil

TRIA China
 TRIA Germany