



Your recycling needs. Our grinding solutions.

BM Series 60

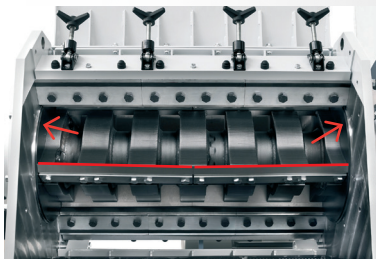
Granulators dedicated to scraps recovery from blow moulding: runners, blown pieces, in-line parison at high temperatures.

Off-line grinding of preforms and blown pieces.

Suitable for moulds or bulky and light thermoformed scraps.



Access without tools to the main parts subject to ordinary maintenance. Grinding chamber equipped with lock for first double bevel, containment discs and rings, discharge screen in antiwear execution.



Rotary discs integral with the rotor and rings. Arrow cutting configuration for grinders with 3 or 5 blades; bench adjustment of blades and counter-blades.



Rotor lock for maintenance. Safety devices and circuit in compliance with EEC Directives.



Chamber water cooling. Screen equal to approximately 50% of blades rotation length.



Hopper opening with motorized jack and screen-holder opening by gas cylinder.

BM Series 60

FEATURES BM 7060

Feeding opening (in): **29.1 x 22.4**
 Nr. blades / counter-blades: **3 / 2**
 Rotor speed (RPM): **400**
 Rotor diameter (in): **19.7**
 Motor (hp): **75**
 Weight (hp): **8600**
 Standard screen (in): **3/8**
 Indicative throughput (lb/hr): **1540 - 2200**

FEATURES BM 11060

Feeding opening (in): **43.3 x 22.4**
 Nr. blades / counter-blades: **3 / 2** Rotor
 speed (RPM): **400**
 Rotor diameter (in): **19.7**
 Motor (hp): **100**
 Weight (lb): **12565**
 Standard screen (in): **3/8**
 Indicative throughput (lb/hr): **1980 - 2645**

FEATURES BM 16060

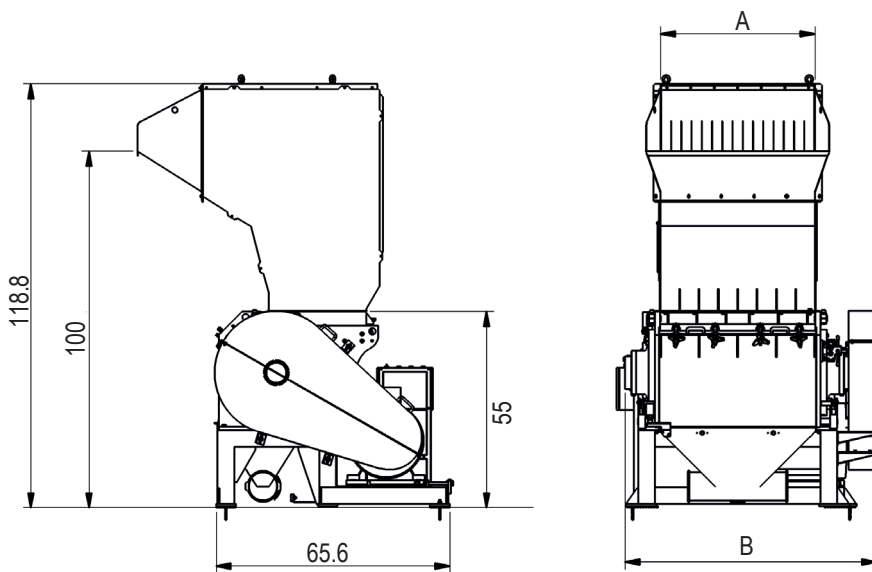
Feeding opening (in): **63.0 x 22.4**
 Nr. blades / counter-blades: **5 / 2**
 Rotor speed (RPM): **400**
 Rotor diameter (in): **19.7**
 Motor (hp): **120**
 Weight (lb): **13225**
 Standard screen (in): **3/8**
 Indicative throughput (lb/hr): **1245 - 3300**

OPTIONAL

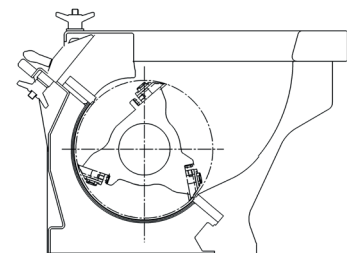
- A) Blades and screen in antiwear execution
- B) Soundproof box on board
- C) Fixed discs
- D) Aphonic tunnel for conveyor belt
- E) Level control
- F) Discharge with suction group not on board
- G) Hopper for bulky pieces
- H) Enlarged cutting chamber (7060 and 11060)

DIMENSIONS

| | A | B |
|----------|------|------|
| BM 7060 | 28.7 | 56.3 |
| BM 11060 | 43.3 | 70.7 |
| BM 16060 | 63.0 | 90.6 |



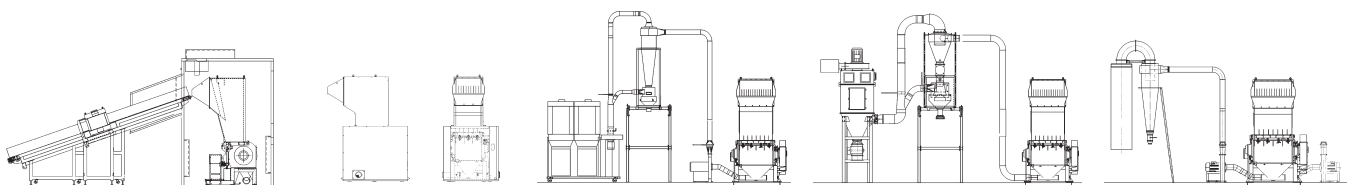
CHAMBER SECTION: BM SERIES



ACCESSORIES

Conveyor belt Soundproof on board Depowdering system LT Depowdering system DP Suction group not on board

- Metal detector
- Soundproof tunnel



Your recycling needs. Our grinding solutions.

TRIA Italy
www.trioplastics.com

TRIA America
 TRIA Brazil

TRIA China
 TRIA Germany