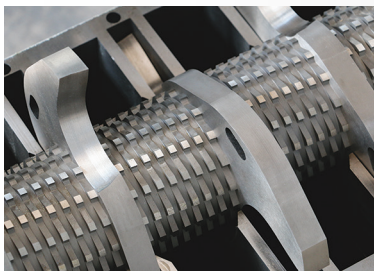




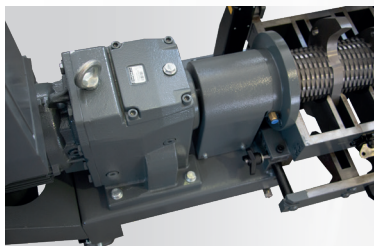
Your recycling needs. Our grinding solutions.

# JS Series 11

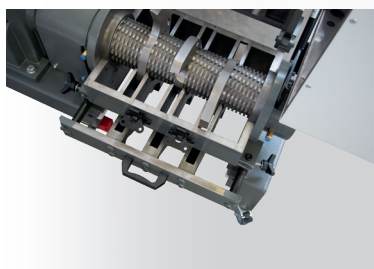
Technical moulds, reinforced materials, no fine parts, minimum noise level, uniform regrind material, easy maintenance. The new JS Series 11 is screen-less and suitable for runners recovery in-line with injection moulding machines.



Gradual cut by helical toothed rollers to reduce cutting stress.



Gearmotor aligned with the rotor by interposed chain joint.



Patented cleaning system for grinding chamber.



# JS Series 11

## FEATURES JS 2811

Feeding opening (mm): **257 x 140**  
Slide opening (mm): **307 x 303**  
Nr. reels / rollers: **2 / 3**  
Rotor speed (RPM): **25 - 30**  
Reels diameter (mm): **268**  
Rollers diameter (mm): **110**  
Cutters dimensions (mm): **5 x 5**  
Motor (kW): **0,75**  
Weight (kg): **228**  
Indicative throughput (kg/hr): **5 ÷ 10**  
Discharge funnel capacity (lt): **7,8**

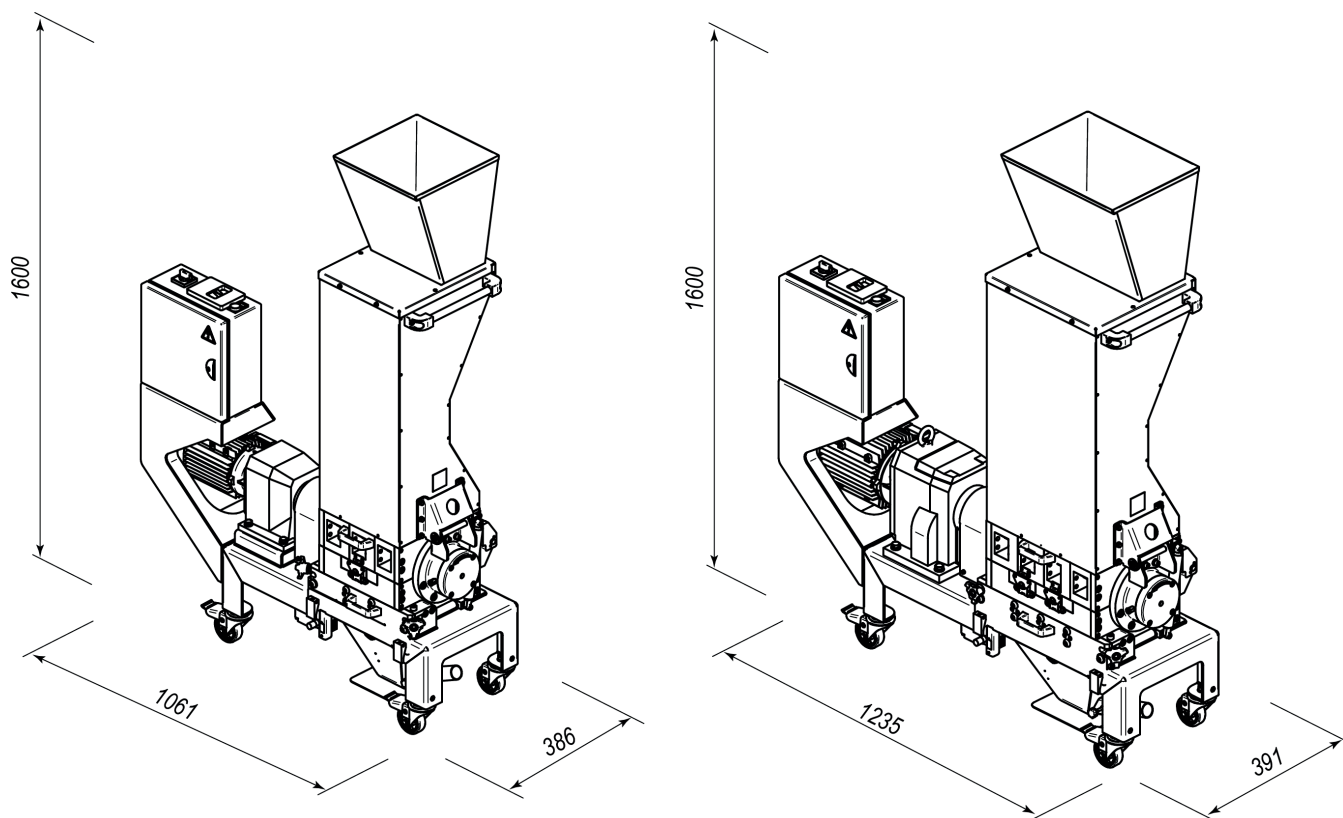
## FEATURES JS 3911

Feeding opening (mm): **351 x 140**  
Slide opening (mm): **307 x 397**  
Nr. reels / rollers: **3 / 4**  
Rotor speed (RPM): **25 - 30**  
Reels diameter (mm): **268**  
Rollers diameter (mm): **110**  
Cutters dimensions (mm): **5 x 5**  
Motor (kW): **1,5**  
Weight (kg): **335**  
Indicative throughput (kg/hr): **15 ÷ 20**  
Discharge funnel capacity (lt): **10**

## OPTIONAL

- A) Special voltages / frequencies
- B) Level control
- C) Venturi regrind material transport system

## DIMENSIONS



Your recycling needs. Our grinding solutions.

TRIA Italy  
[www.trioplastics.com](http://www.trioplastics.com)

TRIA America  
TRIA Brazil

TRIA China  
TRIA Germany